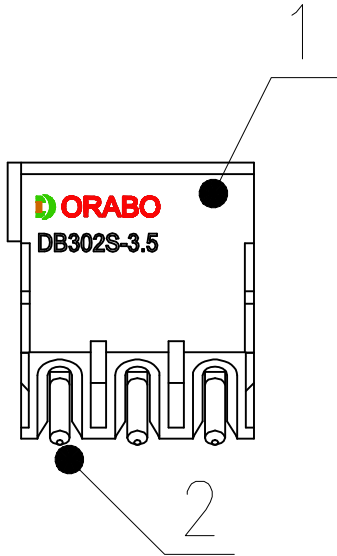
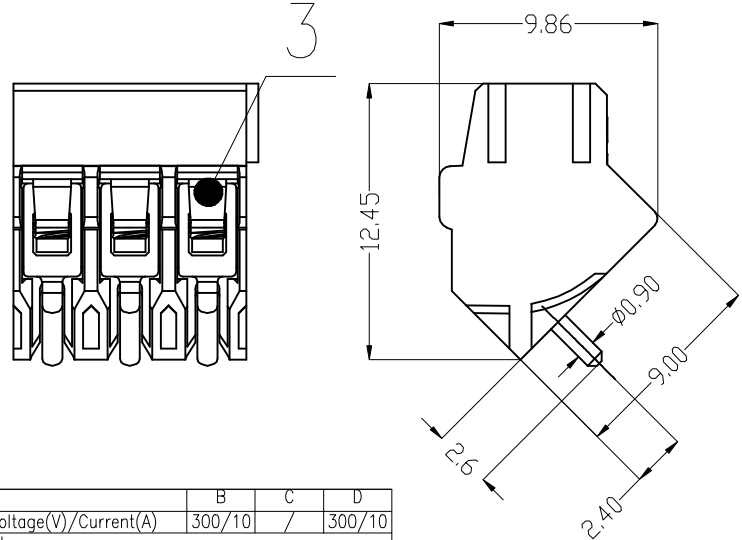
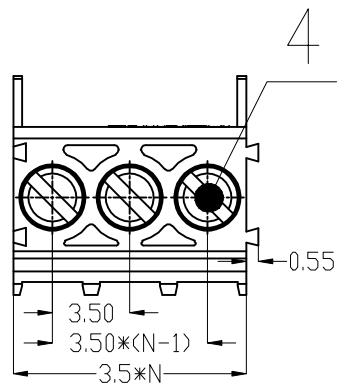
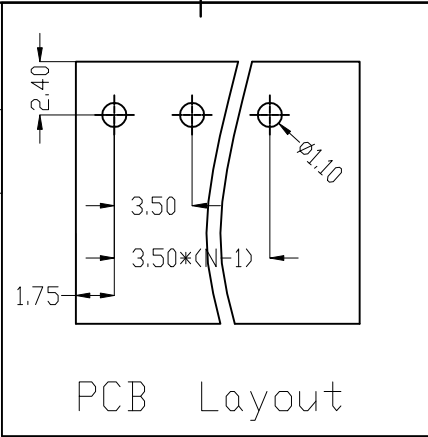


未注公差/General tolerances(mm)

| | | | | | | | | | | | | | | |
|------|------|------|------|------|------|------|------|------|------|------|------|------|------|------|
| 0 | >3 | >6 | >10 | >18 | >30 | >50 | >80 | >120 | >180 | >250 | >315 | 400 | 500 | >500 |
| 3 | 6 | 10 | 18 | 30 | 50 | 80 | 120 | 180 | 250 | 315 | 400 | 500 | | |
| ±0.1 | ±0.1 | ±0.2 | ±0.2 | ±0.3 | ±0.3 | ±0.5 | ±0.8 | ±0.9 | ±1.0 | ±1.1 | ±1.6 | ±2.2 | ±2.5 | 0 |
| 2 | 8 | 2 | 6 | 1 | 7 | 7 | 0 | 3 | 5 | 5 | 0 | 0 | 0 | |

| REV | ECN | DESCRIPTION | DRFT | DATE |
|-----|-----|-------------|------|------|
| | | | | |



DB302S 3.50 XXP C S/P

(Series No.) (Pitch) (Poles) Slotted/Phillips

(Color):GN:(Green), BK:(Black), BU:(Blue), RD:(Red), GY:(Gray)
OG:(Orange), WT:(White), YL:(Yellow), CR:(Clear)

| 4 | Screw | Steel | M2/Zn Plated |
|------|--------------|-----------------|--------------|
| 3 | Spring | Stainless Steel | / |
| 2 | Pin header | Copper Alloy | M2/Sn Plated |
| 1 | Housing | PA66 | UL94V-0 |
| ITEM | NAME OF PART | MATERIAL | NOTES |

| | | | |
|------------------------------------------------------------------|---------------|----------|----------|
| UL 标准/UL Standard: | B | C | D |
| 额定电压/电流/Rated Voltage(V)/Current(A) | 300/10 | / | 300/10 |
| IEC 标准/IEC Standard: | | | |
| 过压类别/Overvoltage Category/污染等级/Pollution Degree | III/3 | III/2 | II/2 |
| 额定电压/电流/Rated Voltage(V)/Current(A) | 160/17.5 | 200/17.5 | 400/17.5 |
| 额定脉冲电压(KV)/Rate Impulse Voltage(KV) | 2.5 | 2.5 | 2.5 |
| 线径范围(硬线和软线)/Wire Range(rigid and flexible)(mm ² /AWG) | 0.2~1.5/26~16 | | |
| 间距/Pitch(mm)/线数范围/Poles | 3.5/N=02~24P | | |
| 剥线长度/Stripping length(mm) | 5 | | |
| 使用温度范围/Operating temperature(°C) | -40~+105 | | |
| 符合RoHS环保要求/Conform to RoHS | Yes | | |

| | | | | |
|----------------------------|--------------|-----------------------------------|--------|-----|
| MAT NO.: | / | ORABO 宁波地博电气有限公司 | | |
| STATUS: | / | NINGBO DORABO ELECTRICAL CO., LTD | | |
| APPD: Steven Lu 2026.5.18 | NAME: | DB302S-3.50-XXP-C-S | | |
| CHKD: Jting Chen 2026.5.18 | DRAWING NO.: | / | REV | M1 |
| DRFT: Tom MAD 2026.5.18 | TYPE: | CUSTOMER_DRAWING | SCALE: | 1:1 |
| SIZE: A4 | TYPE: | CUSTOMER_DRAWING | SCALE: | 1:1 |