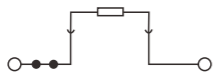
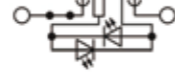


TU系列螺钉接线端子 TU Rail-mounted terminal blocks with screw clamp



4mm² 悬臂式保险丝端子, 可接5 x 20 mm G型保险丝
4mm² Lever-type fuse terminal block, for 5 x 20 mm G fuse



4mm² 悬臂式带发光二极管保险丝端子, 可接5 x 20 mm G型保险丝
4mm² Lever-type fuse terminal block, for 5 x 20 mm G fuse, with LED

		技术参数Technical Parameter			技术参数Technical Parameter		
尺寸Size		厚度Thickness	宽度Width	高度Height	厚度Thickness	宽度Width	高度Height
注: 安装NS35/7.5导轨后的高度 [mm] Note: Height With DIN Rail NS 35/7.5		6.2	59.55	75.6	6.2	59.55	75.6
额定参数Rated Parameters		IEC	UL		IEC	UL	
额定电压Rated Voltage [V]		500	600		500	600	
额定电流Rated Current [A]		6.3	10		6.3	10	
接线容量Wire Range		刚性Solid	柔性Fine Stranded	带冷压头Furrule	刚性Solid	柔性Fine Stranded	带冷压头Furrule
	[mm ²]	0.2-6	0.2-4	0.2-4	0.2-6	0.2-4	0.2-4
	[AWG]	26-10	26-10	26-10	26-10	26-10	26-10
螺钉类型Screw Type [*]		M3			M3		
扭矩Torque [N.m]		0.6			0.6		
其余参数Other Parameters		V0			V0		
绝缘材料/阻燃等级, 符合UL94 Insulating Material / Flame Retardant Grade, Conforming To UL94		V0			V0		
剥线长度Strip length [mm]		9			9		
		订货信息Order Information			订货信息Order Information		
产品Product 颜色Colour		订货号Order NO.			订货号Order NO.		
适配NS 35/7.5导轨 Can Be Used For DIN Rail NS 35/7.5	黑Black	TU4-FUSE-BK(黑色)			TU4-FUSELED24-BK(黑色)		
		配套附件Accessory			配套附件Accessory		
盖板Cover Plate 颜色Colour		订货号Order NO.			订货号Order NO.		
盖板Cover Plate							
跨接件Jumper							
极数Poles No.		订货号Order NO.			订货号Order NO.		
	2	TJA6.2-2			TJA6.2-2		
	3	TJA6.2-3			TJA6.2-3		
	4	TJA6.2-4			TJA6.2-4		
	5	TJA6.2-5			TJA6.2-5		
	6	TJA6.2-6			TJA6.2-6		
	7	TJA6.2-7			TJA6.2-7		
	8	TJA6.2-8			TJA6.2-8		
	9	TJA6.2-9			TJA6.2-9		
	10	TJA6.2-10			TJA6.2-10		
正面标记(小)Front Marker(Small)		订货号Order NO.			订货号Order NO.		
可提供印字服务Printing Service		TMB6.2-100			TMB6.2-100		
正面标记(大)Front Marker(Big)		订货号Order NO.			订货号Order NO.		
可提供印字服务Printing Service		306801			306801		
卷带标记 (50米一卷) Winding marking (50 meters/roll)		TMZ9.6-50			TMZ9.6-50		



4mm² 刀闸分断接线端子
Knife-disconnect terminal block



4mm² 分断接线端子
4mm² Disconnect terminal block



4mm² 悬臂式分断端子
4mm² Lever-type disconnect terminal block

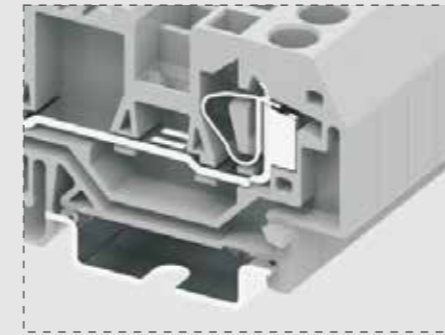
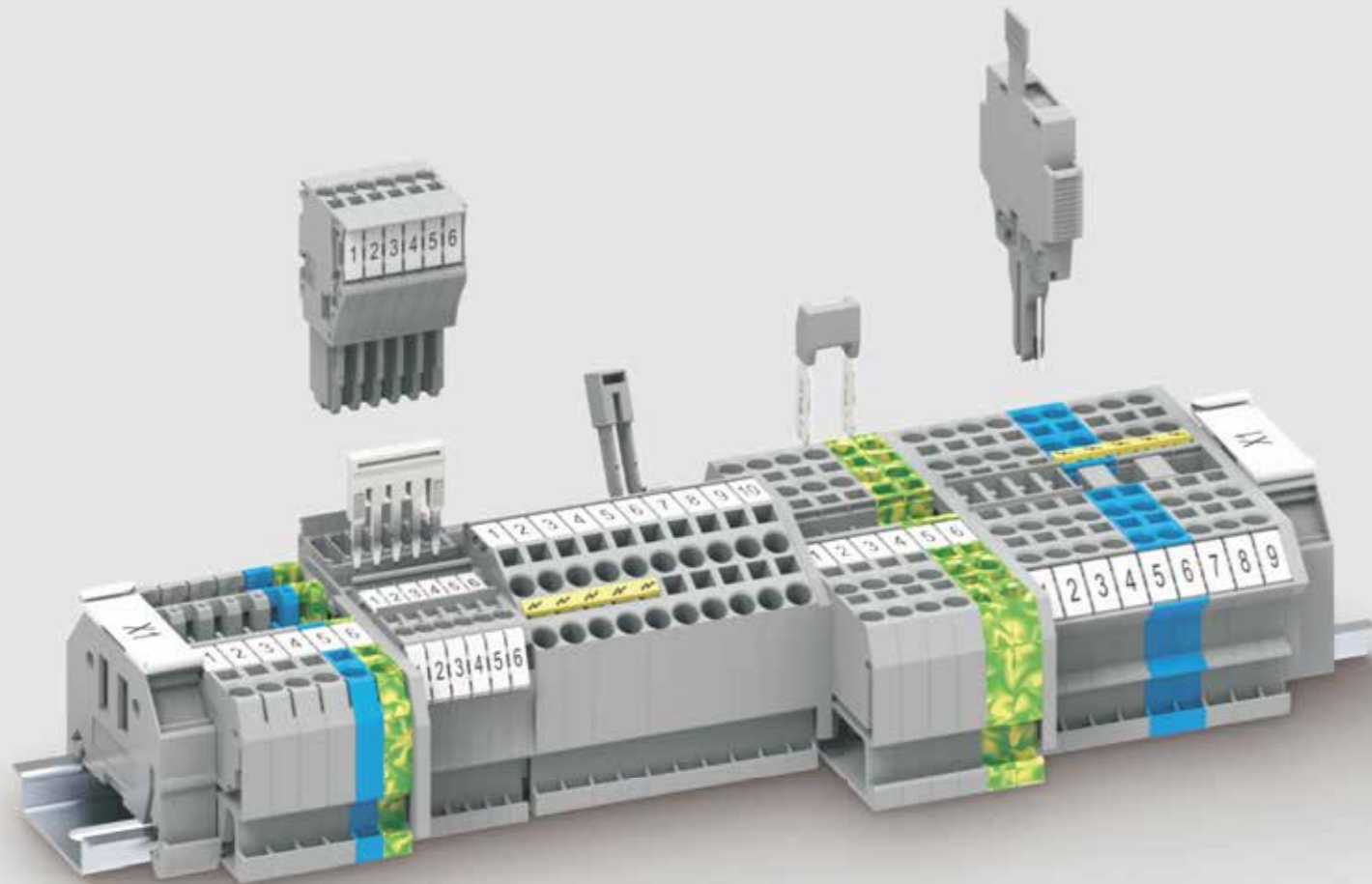
		技术参数Technical Parameter			技术参数Technical Parameter			技术参数Technical Parameter		
尺寸Size		厚度Thickness	宽度Width	高度Height	厚度Thickness	宽度Width	高度Height	厚度Thickness	宽度Width	高度Height
注: 安装NS35/7.5导轨后的高度 [mm] Note: Height With DIN Rail NS 35/7.5		6.2	59.55	46.2	6.2	59.55	46.2	6.2	59.55	75.6
额定参数Rated Parameters		IEC	UL		IEC	UL		IEC	UL	
额定电压Rated Voltage [V]		500	600		500	600		500	600	
额定电流Rated Current [A]		20	16		20	16		6.3	10	
接线容量Wire Range		刚性Solid	柔性Fine Stranded	带冷压头Furrule	刚性Solid	柔性Fine Stranded	带冷压头Furrule	刚性Solid	柔性Fine Stranded	带冷压头Furrule
	[mm ²]	0.2-6	0.2-4	0.2-4	0.2-6	0.2-4	0.2-4	0.2-6	0.2-4	0.2-4
	[AWG]	26-10	26-10	26-10	26-10	26-10	26-10	26-10	26-10	26-10
螺钉类型Screw Type [*]		M3			M3			M3		
扭矩Torque [N.m]		0.6			0.6			0.6		
其余参数Other Parameters		V0			V0			V0		
绝缘材料/阻燃等级, 符合UL94 Insulating Material / Flame Retardant Grade, Conforming To UL94		V0			V0			V0		
剥线长度Strip length [mm]		9			9			9		
		订货信息Order Information			订货信息Order Information			订货信息Order Information		
产品Product 颜色Colour		订货号Order NO.			订货号Order NO.			订货号Order NO.		
适配NS 35/7.5导轨 Can Be Used For DIN Rail NS 35/7.5	灰Gray 橙Orange 蓝Blue	TU4-MT-GY TU4-MT-OG TU4-MT-BU			TU4-TG-GY TU4-TG-OG TU4-TG-BU			TU4-SPLIT		
		配套附件Accessory			配套附件Accessory			配套附件Accessory		
盖板Cover Plate 颜色Colour		订货号Order NO.			订货号Order NO.			订货号Order NO.		
盖板Cover Plate										
跨接件Jumper										
极数Poles No.		订货号Order NO.			订货号Order NO.			订货号Order NO.		
	2	TJA6.2-2			TJA6.2-2			TJA6.2-2		
	3	TJA6.2-3			TJA6.2-3			TJA6.2-3		
	4	TJA6.2-4			TJA6.2-4			TJA6.2-4		
	5	TJA6.2-5			TJA6.2-5			TJA6.2-5		
	6	TJA6.2-6			TJA6.2-6			TJA6.2-6		
	7	TJA6.2-7			TJA6.2-7			TJA6.2-7		
	8	TJA6.2-8			TJA6.2-8			TJA6.2-8		
	9	TJA6.2-9			TJA6.2-9			TJA6.2-9		
	10	TJA6.2-10			TJA6.2-10			TJA6.2-10		
正面标记(小)Front Marker(Small)		订货号Order NO.			订货号Order NO.			订货号Order NO.		
可提供印字服务Printing Service		TMB6.2-100			TMB6.2-100			TMB6.2-100		
正面标记(大)Front Marker(Big)		订货号Order NO.			订货号Order NO.			订货号Order NO.		
可提供印字服务Printing Service		306801			306801			306801		
卷带标记 (50米一卷) Winding marking (50 meters/roll)		TMZ9.6-50			TMZ9.6-50			TMZ9.6-50		

TA系列弹簧接线端子

TA Rail-mounted Terminal Blocks With Spring-cage Clamp

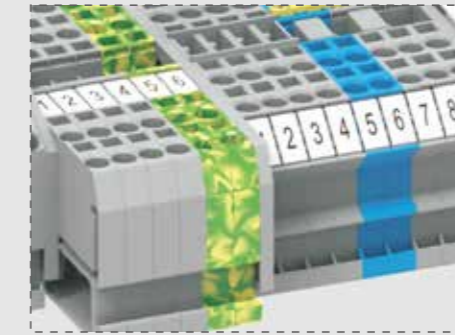
TA系列弹簧接线端子采用笼式弹簧接线技术，可以将2-4根0.2-16mm²的导线建立起安全可靠的电力和信号连接，产品广泛应用于电梯、轨道交通、船舶、楼宇智能、重型设备及工业自动化等领域。产品设计制造符合IEC/EN60947、UL1059等相关国际标准。

TA series rail-mounted spring cage clamp terminal blocks use spring cage connection technology, make 2-4, 0.2-16mm² wire establish a secure and reliable electricity and signal connection. The products are widely used in elevators, rail transportations, ships, buildings, heavy equipments and industrial automations. Product design and manufacturing in line with relevant international standards such as IEC60947, UL1059.



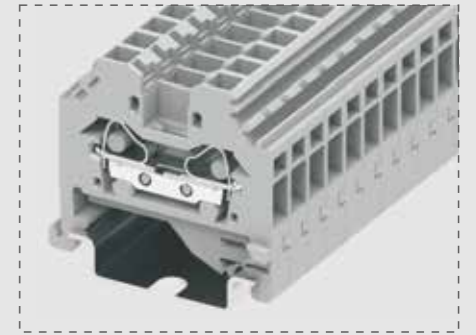
连接结构 Connection Structure

- ▲ 端子之间可相互连接固定
- ▲ Terminals can be connected to each other



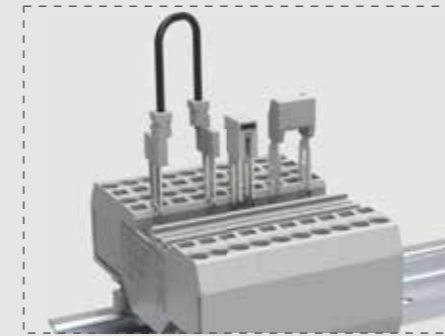
标识 Marking

- ▲ 具有正面标记与侧面标记两种标识，适用于各种不同的空间环境
- ▲ Front marker and side marker can be used in the different space environments



侧面接线 Side-entry wiring

- ▲ 从侧面接线，满足不同的空间环境下的接线方式
- ▲ Side-entry wiring can meet the connection in different space environments



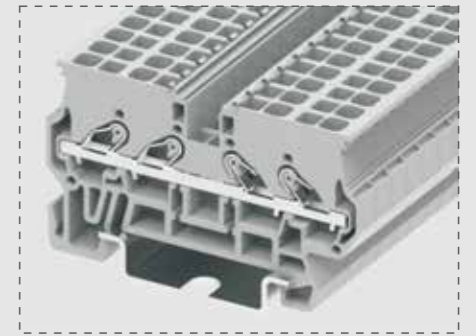
跨接件 Jumper

- ▲ 采用相邻跨接件、间隔跨接桥和导线跨接三种形式，可实现多种电路设计
- ▲ Adjacent jumpers, staggered jumpers and wire jumpers can realize multiple circuit designs



保险盒 Fuse Box

- ▲ 端子上可安装保险盒，保险盒内可安装保险管
- ▲ A fuse box can be installed on the terminal, and a fuse can be installed in the fuse box



直插式端子 Straight Plug Type Terminal Block

- ▲ 无需借助特殊接线工具即可完成接线
- ▲ Wiring is done without special wiring tools



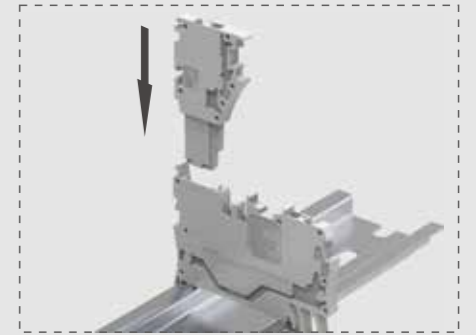
斜面端子 Angled Type Terminal Block

- ▲ 斜面型的设计减小了端子的外型尺寸，节省空间
- ▲ Angled type reduces the size of the terminal and saves space



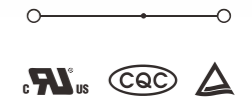
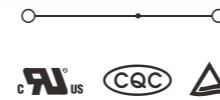
功能端子 Functional Terminal Block

- ▲ 带二极管和指示灯的接线端子，可方便实现各种不同的电路开关功能
- ▲ Wiring terminals with diodes and indicator lights for easy implementation of various circuit switching functions



插拔式端子 Pluggable Terminal Block

- ▲ 将弹簧接线端子与插头相结合，提供灵活的接线方式
- ▲ Plug-in terminal blocks and female plugs provide the flexible wiring



1.5mm² 一进一出接线端子
1-1 Feed Through Terminal Block

2.5mm² 一进一出接线端子
1-1 Feed Through Terminal Block

4mm² 一进一出接线端子
1-1 Feed Through Terminal Block

6mm² 一进一出接线端子
1-1 Feed Through Terminal Block

10mm² 一进一出接线端子
1-1 Feed Through Terminal Block

尺寸Size	
注: 安装NS35/7.5导轨后的高度 Note: Height With DIN Rail NS 35/7.5	[mm]
额定电压Rated Voltage	[V]
额定电流Rated Current	[A]
接线容量Wire Range	
	[mm ²]
	[AWG]
其余参数Other Parameters	
绝缘材料/阻燃等级, 符合UL94 Insulating Material / Flame Retardant Grade, Conforming To UL94	
剥线长度Strip length	[mm]

技术参数Technical Parameter		
厚度Thickness	宽度Width	高度Height
4	51.6	34.5
额定参数Rated Parameters		
IEC	UL	
800	600	
18	10	
接线容量Wire Range		
刚性Solid	柔性Fine Stranded	带冷压头Furrule
0.2-1.5	0.2-1.5	0.2-1
28-16	28-16	28-16
V0		
8-9		

技术参数Technical Parameter		
厚度Thickness	宽度Width	高度Height
5	52.8	35.3
额定参数Rated Parameters		
IEC	UL	
800	600	
24	20	
接线容量Wire Range		
刚性Solid	柔性Fine Stranded	带冷压头Furrule
0.2-2.5	0.2-2.5	0.2-1.5
28-14	28-14	28-14
V0		
8-9		

技术参数Technical Parameter		
厚度Thickness	宽度Width	高度Height
6	59	36
额定参数Rated Parameters		
IEC	UL	
800	600	
32	20	
接线容量Wire Range		
刚性Solid	柔性Fine Stranded	带冷压头Furrule
0.2-4	0.2-4	0.2-2.5
28-12	28-12	28-12
V0		
9-10		

技术参数Technical Parameter		
厚度Thickness	宽度Width	高度Height
8	73.6	40
额定参数Rated Parameters		
IEC	UL	
800	600	
41	30	
接线容量Wire Range		
刚性Solid	柔性Fine Stranded	带冷压头Furrule
0.2-6	0.2-6	0.2-4
28-10	28-10	28-10
V0		
12-13		

技术参数Technical Parameter		
厚度Thickness	宽度Width	高度Height
10	76.7	42.5
额定参数Rated Parameters		
IEC	UL	
800	600	
57	50	
接线容量Wire Range		
刚性Solid	柔性Fine Stranded	带冷压头Furrule
0.2-10	0.2-10	0.2-6
28-8	28-8	28-8
V0		
12-13		

产品Product		颜色Colour
适配NS 35/7.5导轨 Can Be Used For DIN Rail NS 35/7.5		灰Gray
		橙Orange
		蓝Blue
端板Cover Plate		
端板Cover Plate		灰Gray
		橙Orange
		*
跨接件Jumper		颜色Colour
		灰Gray
相邻跨接桥Adjacent Jumper		
间隔跨接桥Staggered Jumper		
导线跨接桥Wire Jumper		
安全警告标记 Protective Warning Marker		
5位PCS		
正面标记和侧面标记Front And Side Marker		
100PCS一片 (可提供印字服务Printing Service)		

订货信息Order Information	
订货号Order NO.	215921
	215922
	215924
配套附件Accessory	
订货号Order NO.	215121
	215122
	*
订货号Order NO.	
订货号Order NO.	215701
	215801

订货信息Order Information	
订货号Order NO.	225921
	225922
	225924
配套附件Accessory	
订货号Order NO.	225121
	225122
	*
订货号Order NO.	
订货号Order NO.	225301
	225321-3
	225311(L=60mm) 225312(L=110mm) 225313(L=250mm)
订货号Order NO.	225701
	225801

订货信息Order Information	
订货号Order NO.	204921
	204922
	204924
配套附件Accessory	
订货号Order NO.	204121
	204122
	*
订货号Order NO.	
订货号Order NO.	204301
	*
	*
订货号Order NO.	204701
	225801

订货信息Order Information	
订货号Order NO.	206921
	206922
	206923
配套附件Accessory	
订货号Order NO.	206121
	206122
	*
订货号Order NO.	
订货号Order NO.	206301
	*
	*
订货号Order NO.	206701
	225801

订货信息Order Information	
订货号Order NO.	210921
	210922
	210923
配套附件Accessory	
订货号Order NO.	210121
	210122
	*
订货号Order NO.	
订货号Order NO.	210301
	*
	*
订货号Order NO.	210701
	225801



16mm² 一进一出接线端子
1-1 Feed Through Terminal Block

尺寸Size		技术参数Technical Parameter		
注: 安装NS35/7.5导轨后的高度 Note: Height With DIN Rail NS 35/7.5		厚度Thickness	宽度Width	高度Height
[mm]		12	93.8	45
额定参数Rated Parameters		IEC	UL	
额定电压Rated Voltage	[V]	800	600	
额定电流Rated Current	[A]	76	65	
接线容量Wire Range		刚性Solid	柔性Fine Stranded	带冷压头Furrule
[mm ²]		0.2-16	0.2-16	0.2-10
[AWG]		28-6	28-6	28-6
其余参数Other Parameters				
绝缘材料/阻燃等级, 符合UL94 Insulating Material / Flame Retardant Grade, Conforming To UL94		V0		
剥线长度Strip length	[mm]	16-17		
产品Product		订货信息Order Information		
颜色Colour	灰Gray	订货号Order NO.	216921	
适配NS 35/7.5导轨 Can Be Used For DIN Rail NS 35/7.5	橙Orange		216922	
	蓝Blue		216923	
配套附件Accessory		订货信息Order Information		
端板Cover Plate		订货号Order NO.	216121	
	灰Gray		216122	
端板Cover Plate	橙Orange		*	
	*		*	
跨接件Jumper		订货信息Order Information		
颜色Colour	灰Gray	订货号Order NO.	216301	
相邻跨接桥Adjacent Jumper			*	
间隔跨接桥Staggered Jumper			*	
导线跨接桥Wire Jumper			*	
安全警告标记 Protective Warning Marker		订货信息Order NO.		
5位PCS			216701	
正面标记和侧面标记Front And Side Marker		订货号Order NO.	225801	
100PCS一片 (可提供印字服务Printing Service)			225801	



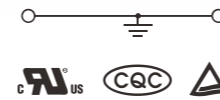
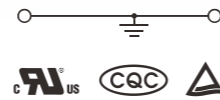
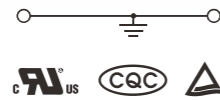
1.5mm² 一进一出接地端子
1-1 Feed Through Ground Terminal Block

尺寸Size		技术参数Technical Parameter		
注: 安装NS35/7.5导轨后的高度 Note: Height With DIN Rail NS 35/7.5		厚度Thickness	宽度Width	高度Height
[mm]		4	51.6	34.5
额定参数Rated Parameters		IEC	UL	
额定电压Rated Voltage	[V]	*	*	
额定电流Rated Current	[A]	*	*	
接线容量Wire Range		刚性Solid	柔性Fine Stranded	带冷压头Furrule
[mm ²]		0.2-1.5	0.2-1.5	0.2-1
[AWG]		28-16	28-16	28-16
其余参数Other Parameters				
绝缘材料/阻燃等级, 符合UL94 Insulating Material / Flame Retardant Grade, Conforming To UL94		V0		
剥线长度Strip length	[mm]	8-9		
产品Product		订货信息Order Information		
颜色Colour	黄绿Yellow green	订货号Order NO.	215927	
适配NS 35/7.5导轨 Can Be Used For DIN Rail NS 35/7.5	*		*	
	*		*	
配套附件Accessory		订货信息Order Information		
端板Cover Plate		订货号Order NO.	215121	
	灰Gray		215122	
端板Cover Plate	橙Orange		*	
	*		*	
跨接件Jumper		订货信息Order Information		
颜色Colour	灰Gray	订货号Order NO.	215701	
相邻跨接桥Adjacent Jumper			*	
间隔跨接桥Staggered Jumper			*	
导线跨接桥Wire Jumper			*	
安全警告标记 Protective Warning Marker		订货信息Order NO.		
5位PCS			215701	
正面标记和侧面标记Front And Side Marker		订货号Order NO.	215801	
100PCS一片 (可提供印字服务Printing Service)			215801	



2.5mm² 一进一出接地端子
1-1 Feed Through Ground Terminal Block

尺寸Size		技术参数Technical Parameter		
注: 安装NS35/7.5导轨后的高度 Note: Height With DIN Rail NS 35/7.5		厚度Thickness	宽度Width	高度Height
[mm]		5	52.8	35.3
额定参数Rated Parameters		IEC	UL	
额定电压Rated Voltage	[V]	*	*	
额定电流Rated Current	[A]	*	*	
接线容量Wire Range		刚性Solid	柔性Fine Stranded	带冷压头Furrule
[mm ²]		0.2-2.5	0.2-2.5	0.2-1.5
[AWG]		28-14	28-14	28-14
其余参数Other Parameters				
绝缘材料/阻燃等级, 符合UL94 Insulating Material / Flame Retardant Grade, Conforming To UL94		V0		
剥线长度Strip length	[mm]	8-9		
产品Product		订货信息Order Information		
颜色Colour	灰Gray	订货号Order NO.	225927	
适配NS 35/7.5导轨 Can Be Used For DIN Rail NS 35/7.5	橙Orange		*	
	*		*	
配套附件Accessory		订货信息Order Information		
端板Cover Plate		订货号Order NO.	225121	
	灰Gray		225122	
端板Cover Plate	橙Orange		*	
	*		*	
跨接件Jumper		订货信息Order Information		
颜色Colour	灰Gray	订货号Order NO.	225701	
相邻跨接桥Adjacent Jumper			*	
间隔跨接桥Staggered Jumper			*	
导线跨接桥Wire Jumper			*	
安全警告标记 Protective Warning Marker		订货信息Order NO.		
5位PCS			225701	
正面标记和侧面标记Front And Side Marker		订货号Order NO.	225801	
100PCS一片 (可提供印字服务Printing Service)			225801	



4mm² 一进一出接地端子
1-1 Feed Through Ground Terminal Block

6mm² 一进一出接地端子
1-1 Feed Through Ground Terminal Block

10mm² 一进一出接地端子
1-1 Feed Through Ground Terminal Block

16mm² 一进一出接地端子
1-1 Feed Through Ground Terminal Block

尺寸Size	
注: 安装NS35/7.5导轨后的高度 Note: Height With DIN Rail NS 35/7.5	[mm]
额定参数Rated Parameters	
额定电压Rated Voltage	[V]
额定电流Rated Current	[A]
接线容量Wire Range	
	[mm ²]
	[AWG]
其余参数Other Parameters	
绝缘材料/阻燃等级, 符合UL94 Insulating Material / Flame Retardant Grade, Conforming To UL94	V0
剥线长度Strip length	[mm]
产品Product	
颜色Colour	黄绿Yellow green
适配NS 35/7.5导轨 Can Be Used For DIN Rail NS 35/7.5	*
端板Cover Plate	
端板Cover Plate	灰Gray
	橙Orange
跨接件Jumper	
跨接件Jumper	灰Gray
相邻跨接桥Adjacent Jumper	
间隔跨接桥Staggered Jumper	
导线跨接桥Wire Jumper	
安全警告标记 Protective Warning Marker	
5位PCS	
正面标记和侧面标记Front And Side Marker	
100PCS一片 (可提供印字服务Printing Service)	

技术参数Technical Parameter		
厚度Thickness	宽度Width	高度Height
6	59	36
订货信息Order Information		
订货号Order NO.	204927	
配套附件Accessory		
端板Cover Plate	灰Gray	
	橙Orange	
跨接件Jumper	灰Gray	
相邻跨接桥Adjacent Jumper		
间隔跨接桥Staggered Jumper		
导线跨接桥Wire Jumper		
安全警告标记Protective Warning Marker	5位PCS	
正面标记和侧面标记Front And Side Marker	100PCS一片 (可提供印字服务Printing Service)	

技术参数Technical Parameter		
厚度Thickness	宽度Width	高度Height
8	73.6	40
订货信息Order Information		
订货号Order NO.	206927	
配套附件Accessory		
端板Cover Plate	灰Gray	
	橙Orange	
跨接件Jumper	灰Gray	
相邻跨接桥Adjacent Jumper		
间隔跨接桥Staggered Jumper		
导线跨接桥Wire Jumper		
安全警告标记Protective Warning Marker	5位PCS	
正面标记和侧面标记Front And Side Marker	100PCS一片 (可提供印字服务Printing Service)	

技术参数Technical Parameter		
厚度Thickness	宽度Width	高度Height
10	76.7	42.5
订货信息Order Information		
订货号Order NO.	210927	
配套附件Accessory		
端板Cover Plate	灰Gray	
	橙Orange	
跨接件Jumper	灰Gray	
相邻跨接桥Adjacent Jumper		
间隔跨接桥Staggered Jumper		
导线跨接桥Wire Jumper		
安全警告标记Protective Warning Marker	5位PCS	
正面标记和侧面标记Front And Side Marker	100PCS一片 (可提供印字服务Printing Service)	

技术参数Technical Parameter		
厚度Thickness	宽度Width	高度Height
12	93.8	45
订货信息Order Information		
订货号Order NO.	216927	
配套附件Accessory		
端板Cover Plate	灰Gray	
	橙Orange	
跨接件Jumper	灰Gray	
相邻跨接桥Adjacent Jumper		
间隔跨接桥Staggered Jumper		
导线跨接桥Wire Jumper		
安全警告标记Protective Warning Marker	5位PCS	
正面标记和侧面标记Front And Side Marker	100PCS一片 (可提供印字服务Printing Service)	



6mm² 一进一出接线端子 (侧面标记)
1-1 Feed Through Terminal Block (Side Marking)



10mm² 一进一出接线端子 (侧面标记)
1-1 Feed Through Terminal Block (Side Marking)



16mm² 一进一出接线端子 (侧面标记)
1-1 Feed Through Terminal Block (Side Marking)

尺寸Size	
注: 安装NS35/7.5导轨后的高度 Note: Height With DIN Rail NS 35/7.5	[mm]
额定电压Rated Voltage	[V]
额定电流Rated Current	[A]
接线容量Wire Range	
	[mm ²]
	[AWG]
其余参数Other Parameters	
绝缘材料/阻燃等级, 符合UL94 Insulating Material / Flame Retardant Grade, Conforming To UL94	
剥线长度Strip length	[mm]

技术参数Technical Parameter		
厚度Thickness	宽度Width	高度Height
8	62	38.5
IEC	UL	
800	600	
41	30	
刚性Solid	柔性Fine Stranded	带冷压头Furrule
0.2-6	0.2-6	0.2-4
28-10	28-10	28-10
V0		
12-13		

技术参数Technical Parameter		
厚度Thickness	宽度Width	高度Height
10	69.5	41
IEC	UL	
800	600	
57	50	
刚性Solid	柔性Fine Stranded	带冷压头Furrule
0.2-10	0.2-10	0.2-6
28-8	28-8	28-8
V0		
12-13		

技术参数Technical Parameter		
厚度Thickness	宽度Width	高度Height
12	80	45
IEC	UL	
800	600	
76	65	
刚性Solid	柔性Fine Stranded	带冷压头Furrule
0.2-16	0.2-16	0.2-10
28-6	28-6	28-6
V0		
16-17		

技术参数Technical Parameter		
厚度Thickness	宽度Width	高度Height
12	80	45
IEC	UL	
800	600	
76	65	
刚性Solid	柔性Fine Stranded	带冷压头Furrule
0.2-16	0.2-16	0.2-10
28-6	28-6	28-6
V0		
16-17		

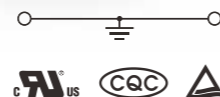
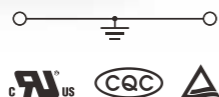
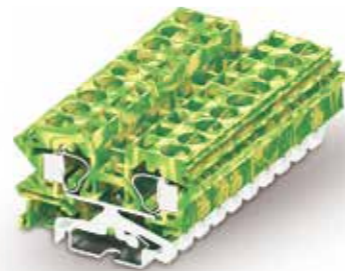
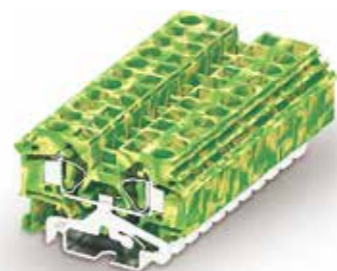
产品Product		颜色Colour
适配NS 35/7.5导轨 Can Be Used For DIN Rail NS 35/7.5		灰Gray 橙Orange 蓝Blue
端板Cover Plate		
端板Cover Plate		灰Gray 橙Orange
跨接件Jumper		颜色Colour
相邻跨接桥Adjacent Jumper		灰Gray
间隔跨接桥Staggered Jumper		
导线跨接桥Wire Jumper		
安全警告标记 Protective Warning Marker		
5位PCS		
正面标记和侧面标记Front And Side Marker		
100PCS一片 (可提供印字服务Printing Service)		

订货信息Order Information	
订货号Order NO.	206911 206912 206913
配套附件Accessory	
订货号Order NO.	206111 206112
订货号Order NO.	*
订货号Order NO.	206301
订货号Order NO.	*
订货号Order NO.	*
订货号Order NO.	206701
订货号Order NO.	225801

订货信息Order Information	
订货号Order NO.	210911 210912 210913
配套附件Accessory	
订货号Order NO.	210111 210112
订货号Order NO.	*
订货号Order NO.	210301
订货号Order NO.	*
订货号Order NO.	*
订货号Order NO.	210701
订货号Order NO.	225801

订货信息Order Information	
订货号Order NO.	216911 216912 216913
配套附件Accessory	
订货号Order NO.	216111 216122
订货号Order NO.	*
订货号Order NO.	216301
订货号Order NO.	*
订货号Order NO.	*
订货号Order NO.	216701
订货号Order NO.	225801

订货信息Order Information	
订货号Order NO.	216911 216912 216913
配套附件Accessory	
订货号Order NO.	216111 216122
订货号Order NO.	*
订货号Order NO.	216301
订货号Order NO.	*
订货号Order NO.	*
订货号Order NO.	216701
订货号Order NO.	225801



6mm², 一进一出接地端子 (侧面标记)
1-1 Feed Through Ground Terminal Block
(Side Marking)

10mm², 一进一出接地端子 (侧面标记)
1-1 Feed Through Ground Terminal Block
(Side Marking)

16mm², 一进一出接地端子 (侧面标记)
1-1 Feed Through Ground Terminal Block
(Side Marking)

技术参数 Technical Parameter	
尺寸 Size	
注: 安装NS35/7.5导轨后的高度 Note: Height With DIN Rail NS 35/7.5	[mm]
额定参数 Rated Parameters	
额定电压 Rated Voltage	[V]
额定电流 Rated Current	[A]
接线容量 Wire Range	
	[mm ²]
	[AWG]
其余参数 Other Parameters	
绝缘材料/阻燃等级, 符合UL94 Insulating Material / Flame Retardant Grade, Conforming To UL94	V0
剥线长度 Strip length	[mm]
订购信息 Order Information	
产品 Product	颜色 Colour
适配NS 35/7.5导轨 Can Be Used For DIN Rail NS 35/7.5	黄绿 Yellow green
	*
	*
配套附件 Accessory	
端板 Cover Plate	颜色 Colour
端板 Cover Plate	灰 Gray
	橙 Orange
	*
跨接件 Jumper	颜色 Colour
	灰 Gray
相邻跨接桥 Adjacent Jumper	
间隔跨接桥 Staggered Jumper	
导线跨接桥 Wire Jumper	
安全警告标记 Protective Warning Marker	
5位 PCS	
正面标记和侧面标记 Front And Side Marker	
100PCS一片 (可提供印字服务 Printing Service)	

厚度 Thickness	宽度 Width	高度 Height
8	62	38.5
IEC	UL	
*	*	
*	*	
刚性 Solid	柔性 Fine Stranded	带冷压头 Ferrule
0.2-6	0.2-6	0.2-4
28-10	28-10	28-10
订购信息 Order Information		
订货号 Order NO.		
206917		
*		
*		
配套附件 Accessory		
订货号 Order NO.		
206111		
206112		
*		
订货号 Order NO.		
206701		
225801		

厚度 Thickness	宽度 Width	高度 Height
10	69.5	41
IEC	UL	
*	*	
*	*	
刚性 Solid	柔性 Fine Stranded	带冷压头 Ferrule
0.2-10	0.2-10	0.2-6
28-8	28-8	28-8
订购信息 Order Information		
订货号 Order NO.		
210917		
*		
*		
配套附件 Accessory		
订货号 Order NO.		
210111		
210112		
*		
订货号 Order NO.		
210701		
225801		

厚度 Thickness	宽度 Width	高度 Height
12	80	45
IEC	UL	
*	*	
*	*	
刚性 Solid	柔性 Fine Stranded	带冷压头 Ferrule
0.2-16	0.2-16	0.2-10
28-6	28-6	28-6
订购信息 Order Information		
订货号 Order NO.		
216917		
*		
*		
配套附件 Accessory		
订货号 Order NO.		
216111		
216122		
*		
订货号 Order NO.		
216701		
225801		

厚度 Thickness	宽度 Width	高度 Height
IEC	UL	
刚性 Solid	柔性 Fine Stranded	带冷压头 Ferrule
订购信息 Order Information		
订货号 Order NO.		
216917		
*		
*		
配套附件 Accessory		
订货号 Order NO.		
216111		
216122		
*		
订货号 Order NO.		
216701		
225801		



2.5mm² 一进一出侧面接线端子
1-1 Feed Through Terminal Block of Side-entry

4mm² 一进一出侧面接线端子
1-1 Feed Through Terminal Block of Side-entry

6mm² 一进一出侧面接线端子
1-1 Feed Through Terminal Block of Side-entry

10mm² 一进一出侧面接线端子
1-1 Feed Through Terminal Block of Side-entry

16mm² 一进一出侧面接线端子
1-1 Feed Through Terminal Block of Side-entry

尺寸Size	
注: 安装NS35/7.5导轨后的高度 Note: Height With DIN Rail NS 35/7.5	[mm]
额定电压Rated Voltage	[V]
额定电流Rated Current	[A]
接线容量Wire Range	
	[mm²]
	[AWG]
其余参数Other Parameters	
绝缘材料/阻燃等级, 符合UL94 Insulating Material / Flame Retardant Grade, Conforming To UL94	
剥线长度Strip length	[mm]
产品Product	
颜色Colour	灰Gray
	橙Orange
	蓝Blue
适配NS 35/7.5导轨 Can Be Used For DIN Rail NS 35/7.5	
端板Cover Plate	
	灰Gray
	橙Orange
	*
跨接件Jumper	
	灰Gray
相邻跨接桥Adjacent Jumper	
间隔跨接桥Staggered Jumper	
导线跨接桥Wire Jumper	
安全警告标记 Protective Warning Marker	
5位PCS	
正面标记和侧面标记Front And Side Marker	
100PCS一片 (可提供印字服务Printing Service)	

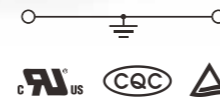
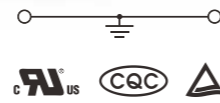
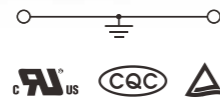
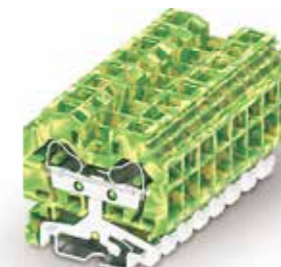
技术参数Technical Parameter		
厚度Thickness	宽度Width	高度Height
5	38.4	38
技术参数Technical Parameter		
IEC	UL	
800	600	
24	20	
技术参数Technical Parameter		
刚性Solid	柔性Fine Stranded	带冷压头Furrule
0.2-2.5	0.2-2.5	0.2-1.5
28-14	28-14	28-14
订货信息Order Information		
订货号Order NO.		
225915		
*		
225916		
配套附件Accessory		
订货号Order NO.		
225111		
225112		
*		
订货号Order NO.		
225301		
*		
*		
订货号Order NO.		
225701		
订货号Order NO.		
225801		

技术参数Technical Parameter		
厚度Thickness	宽度Width	高度Height
6	40.2	40
技术参数Technical Parameter		
IEC	UL	
800	600	
32	20	
技术参数Technical Parameter		
刚性Solid	柔性Fine Stranded	带冷压头Furrule
0.2-4	0.2-4	0.2-2.5
28-12	28-12	28-12
订货信息Order Information		
订货号Order NO.		
204901		
*		
204902		
配套附件Accessory		
订货号Order NO.		
204101		
204102		
*		
订货号Order NO.		
204301		
*		
*		
订货号Order NO.		
204701		
订货号Order NO.		
225801		

技术参数Technical Parameter		
厚度Thickness	宽度Width	高度Height
8	46	44.5
技术参数Technical Parameter		
IEC	UL	
800	600	
41	30	
技术参数Technical Parameter		
刚性Solid	柔性Fine Stranded	带冷压头Furrule
0.2-6	0.2-6	0.2-4
28-10	28-10	28-10
订货信息Order Information		
订货号Order NO.		
206901		
*		
206902		
配套附件Accessory		
订货号Order NO.		
206101		
206102		
*		
订货号Order NO.		
206301		
*		
*		
订货号Order NO.		
206701		
订货号Order NO.		
225801		

技术参数Technical Parameter		
厚度Thickness	宽度Width	高度Height
10	52.2	49
技术参数Technical Parameter		
IEC	UL	
800	600	
57	50	
技术参数Technical Parameter		
刚性Solid	柔性Fine Stranded	带冷压头Furrule
0.2-10	0.2-10	0.2-6
28-8	28-8	28-8
订货信息Order Information		
订货号Order NO.		
210901		
*		
210902		
配套附件Accessory		
订货号Order NO.		
210101		
210102		
*		
订货号Order NO.		
210301		
*		
*		
订货号Order NO.		
210701		
订货号Order NO.		
225801		

技术参数Technical Parameter		
厚度Thickness	宽度Width	高度Height
12	58.4	53
技术参数Technical Parameter		
IEC	UL	
800	600	
76	65	
技术参数Technical Parameter		
刚性Solid	柔性Fine Stranded	带冷压头Furrule
0.2-16	0.2-16	0.2-10
28-6	28-6	28-6
订货信息Order Information		
订货号Order NO.		
216901		
*		
216902		
配套附件Accessory		
订货号Order NO.		
216101		
216102		
*		
订货号Order NO.		
216301		
*		
*		
订货号Order NO.		
216701		
订货号Order NO.		
225801		



2.5mm² 一进一出侧面接地端子
1-1 Feed Through Ground Terminal Block of Side-entry

4mm² 一进一出侧面接地端子
1-1 Feed Through Ground Terminal Block of Side-entry

6mm² 一进一出侧面接地端子
1-1 Feed Through Ground Terminal Block of Side-entry

10mm² 一进一出侧面接地端子
1-1 Feed Through Ground Terminal Block of Side-entry

16mm² 一进一出侧面接地端子
1-1 Feed Through Ground Terminal Block of Side-entry

尺寸Size	
注: 安装NS35/7.5导轨后的高度 Note: Height With DIN Rail NS 35/7.5	[mm]
额定电压Rated Voltage	[V]
额定电流Rated Current	[A]
接线容量Wire Range	
	[mm²]
	[AWG]
其余参数Other Parameters	
绝缘材料/阻燃等级, 符合UL94 Insulating Material / Flame Retardant Grade, Conforming To UL94	
剥线长度Strip length	[mm]

技术参数Technical Parameter		
厚度Thickness	宽度Width	高度Height
5	38.4	38
技术规格		
IEC	UL	
*	*	
*	*	
接线容量Wire Range		
刚性Solid	柔性Fine Stranded	带冷压头Furrule
0.2-2.5	0.2-2.5	0.2-1.5
28-14	28-14	28-14
V0		
8-9		

技术参数Technical Parameter		
厚度Thickness	宽度Width	高度Height
6	40.2	40
技术规格		
IEC	UL	
*	*	
*	*	
接线容量Wire Range		
刚性Solid	柔性Fine Stranded	带冷压头Furrule
0.2-4	0.2-4	0.2-2.5
28-12	28-12	28-12
V0		
9-10		

技术参数Technical Parameter		
厚度Thickness	宽度Width	高度Height
8	46	44.5
技术规格		
IEC	UL	
*	*	
*	*	
接线容量Wire Range		
刚性Solid	柔性Fine Stranded	带冷压头Furrule
0.2-6	0.2-6	0.2-4
28-10	28-10	28-10
V0		
12-13		

技术参数Technical Parameter		
厚度Thickness	宽度Width	高度Height
10	52.2	49
技术规格		
IEC	UL	
*	*	
*	*	
接线容量Wire Range		
刚性Solid	柔性Fine Stranded	带冷压头Furrule
0.2-10	0.2-10	0.2-6
28-8	28-8	28-8
V0		
12-13		

技术参数Technical Parameter		
厚度Thickness	宽度Width	高度Height
12	58.4	53
技术规格		
IEC	UL	
*	*	
*	*	
接线容量Wire Range		
刚性Solid	柔性Fine Stranded	带冷压头Furrule
0.2-16	0.2-16	0.2-10
28-6	28-6	28-6
V0		
16-17		

产品Product	
颜色Colour	黄色Yellow green
适配NS 35/7.5导轨 Can Be Used For DIN Rail NS 35/7.5	*

订货信息Order Information	
订货号Order NO.	225917
*	*
*	*

订货信息Order Information	
订货号Order NO.	204907
*	*
*	*

订货信息Order Information	
订货号Order NO.	206907
*	*
*	*

订货信息Order Information	
订货号Order NO.	210907
*	*
*	*

订货信息Order Information	
订货号Order NO.	216907
*	*
*	*

端板Cover Plate	
颜色Colour	灰Gray
端板Cover Plate	橙Orange
*	*

配套附件Accessory	
订货号Order NO.	225111
	225112
*	*

配套附件Accessory	
订货号Order NO.	204101
	204102
*	*

配套附件Accessory	
订货号Order NO.	206101
	206102
*	*

配套附件Accessory	
订货号Order NO.	210101
	210102
*	*

配套附件Accessory	
订货号Order NO.	216101
	216102
*	*

跨接件Jumper	
颜色Colour	灰Gray
相邻跨接桥Adjacent Jumper	
间隔跨接桥Staggered Jumper	
导线跨接桥Wire Jumper	

订货号Order NO.	
*	*
*	*
*	*

订货号Order NO.	
*	*
*	*
*	*

订货号Order NO.	
*	*
*	*
*	*

订货号Order NO.	
*	*
*	*
*	*

订货号Order NO.	
*	*
*	*
*	*

安全警告标记 Protective Warning Marker	
5位PCS	
正面标记和侧面标记Front And Side Marker	
100PCS一片 (可提供印字服务Printing Service)	

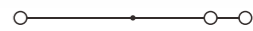
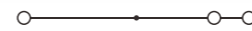
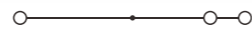
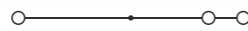
订货号Order NO.	225701
订货号Order NO.	225801

订货号Order NO.	204701
订货号Order NO.	225801

订货号Order NO.	206701
订货号Order NO.	225801

订货号Order NO.	210701
订货号Order NO.	225801

订货号Order NO.	216701
订货号Order NO.	225801



1.5mm² 一进两出接线端子
1-2 Feed Through Terminal Block

2.5mm² 一进两出接线端子
1-2 Feed Through Terminal Block

4mm² 一进两出接线端子
1-2 Feed Through Terminal Block

6mm² 一进两出接线端子
1-2 Feed Through Terminal Block

10mm² 一进两出接线端子
1-2 Feed Through Terminal Block

尺寸Size	
注: 安装NS35/7.5导轨后的高度 Note: Height With DIN Rail NS 35/7.5	[mm]
额定电压Rated Voltage	[V]
额定电流Rated Current	[A]
接线容量Wire Range	
	[mm ²]
	[AWG]
其余参数Other Parameters	
绝缘材料/阻燃等级, 符合UL94 Insulating Material / Flame Retardant Grade, Conforming To UL94	
剥线长度Strip length	[mm]

技术参数Technical Parameter		
厚度Thickness	宽度Width	高度Height
4	62.1	34.5
额定参数Rated Parameters		
IEC	UL	
800	600	
18	10	
接线容量Wire Range		
刚性Solid	柔性Fine Stranded	带冷压头Furrule
0.2-1.5	0.2-1.5	0.2-1
28-16	28-16	28-16
其余参数Other Parameters		
绝缘材料/阻燃等级, 符合UL94 Insulating Material / Flame Retardant Grade, Conforming To UL94		
剥线长度Strip length		
8-9		

技术参数Technical Parameter		
厚度Thickness	宽度Width	高度Height
5	64.4	35.5
额定参数Rated Parameters		
IEC	UL	
800	600	
24	20	
接线容量Wire Range		
刚性Solid	柔性Fine Stranded	带冷压头Furrule
0.2-2.5	0.2-2.5	0.2-1.5
28-14	28-14	28-14
其余参数Other Parameters		
绝缘材料/阻燃等级, 符合UL94 Insulating Material / Flame Retardant Grade, Conforming To UL94		
剥线长度Strip length		
8-9		

技术参数Technical Parameter		
厚度Thickness	宽度Width	高度Height
6	72.6	36
额定参数Rated Parameters		
IEC	UL	
800	600	
32	20	
接线容量Wire Range		
刚性Solid	柔性Fine Stranded	带冷压头Furrule
0.2-4	0.2-4	0.2-2.5
28-12	28-12	28-12
其余参数Other Parameters		
绝缘材料/阻燃等级, 符合UL94 Insulating Material / Flame Retardant Grade, Conforming To UL94		
剥线长度Strip length		
9-10		

技术参数Technical Parameter		
厚度Thickness	宽度Width	高度Height
8	92.2	40
额定参数Rated Parameters		
IEC	UL	
800	600	
41	30	
接线容量Wire Range		
刚性Solid	柔性Fine Stranded	带冷压头Furrule
0.2-6	0.2-6	0.2-4
28-10	28-10	28-10
其余参数Other Parameters		
绝缘材料/阻燃等级, 符合UL94 Insulating Material / Flame Retardant Grade, Conforming To UL94		
剥线长度Strip length		
12-13		

技术参数Technical Parameter		
厚度Thickness	宽度Width	高度Height
10	96.6	42.5
额定参数Rated Parameters		
IEC	UL	
800	600	
57	50	
接线容量Wire Range		
刚性Solid	柔性Fine Stranded	带冷压头Furrule
0.2-10	0.2-10	0.2-6
28-8	28-8	28-8
其余参数Other Parameters		
绝缘材料/阻燃等级, 符合UL94 Insulating Material / Flame Retardant Grade, Conforming To UL94		
剥线长度Strip length		
12-13		

产品Product		颜色Colour
适配NS 35/7.5导轨 Can Be Used For DIN Rail NS 35/7.5		灰Gray
		橙Orange
		蓝Blue
配套附件Accessory		
端板Cover Plate		灰Gray
端板Cover Plate		橙Orange
		*
跨接件Jumper		
		灰Gray
相邻跨接桥Adjacent Jumper		
间隔跨接桥Staggered Jumper		
导线跨接桥Wire Jumper		
安全警告标记 Protective Warning Marker		
5位PCS		
正面标记和侧面标记Front And Side Marker		
100PCS一片 (可提供印字服务Printing Service)		

订货信息Order Information	
订货号Order NO.	215951
	215952
	215954
配套附件Accessory	
订货号Order NO.	215151
	215152
	*
跨接件Jumper	
订货号Order NO.	215301
	*
	*
	225311(L=60mm) 225312(L=110mm) 225313(L=250mm)
订货号Order NO.	215701
订货号Order NO.	215801

订货信息Order Information	
订货号Order NO.	225951
	225952
	225954
配套附件Accessory	
订货号Order NO.	225151
	225152
	*
跨接件Jumper	
订货号Order NO.	225301
	225321-3
	225311(L=60mm) 225312(L=110mm) 225313(L=250mm)
订货号Order NO.	225701
订货号Order NO.	225801

订货信息Order Information	
订货号Order NO.	204951
	204952
	204954
配套附件Accessory	
订货号Order NO.	204151
	204152
	*
跨接件Jumper	
订货号Order NO.	204301
	*
	*
订货号Order NO.	204701
订货号Order NO.	225801

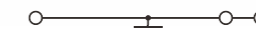
订货信息Order Information	
订货号Order NO.	206951
	206952
	206953
配套附件Accessory	
订货号Order NO.	206151
	206152
	*
跨接件Jumper	
订货号Order NO.	206301
	*
	*
订货号Order NO.	206701
订货号Order NO.	225801

订货信息Order Information	
订货号Order NO.	210951
	210952
	210953
配套附件Accessory	
订货号Order NO.	210151
	210152
	*
跨接件Jumper	
订货号Order NO.	210301
	*
	*
订货号Order NO.	210701
订货号Order NO.	225801



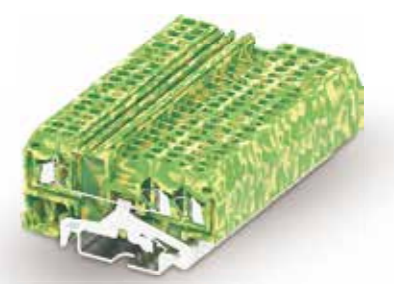
16mm² 一进两出接线端子
1-2 Feed Through Terminal Block

尺寸Size		厚度Thickness	宽度Width	高度Height
注: 安装NS35/7.5导轨后的高度 Note: Height With DIN Rail NS 35/7.5		12	103.5	45
额定参数Rated Parameters		IEC	UL	
额定电压Rated Voltage	[V]	800	600	
额定电流Rated Current	[A]	76	65	
接线容量Wire Range		刚性Solid	柔性Fine Stranded	带冷压头Furrule
	[mm ²]	0.2-16	0.2-16	0.2-10
	[AWG]	28-6	28-6	28-6
其余参数Other Parameters		绝缘材料/阻燃等级, 符合UL94 Insulating Material / Flame Retardant Grade, Conforming To UL94		
剥线长度Strip length	[mm]	16-17		
产品Product		颜色Colour		
适配NS 35/7.5导轨 Can Be Used For DIN Rail NS 35/7.5	灰Gray	216951		
	橙Orange	216952		
	蓝Blue	216953		
配套附件Accessory		订货信息Order Information		
端板Cover Plate		订货号Order NO.		
	灰Gray	216151		
端板Cover Plate	橙Orange	216152		
	*	*		
跨接件Jumper	颜色Colour	订货号Order NO.		
	灰Gray	216701		
相邻跨接桥Adjacent Jumper		*		
间隔跨接桥Staggered Jumper		*		
导线跨接桥Wire Jumper		*		
安全警告标记 Protective Warning Marker		订货号Order NO.		
5位PCS		216701		
正面标记和侧面标记Front And Side Marker		订货号Order NO.		
100PCS一片 (可提供印字服务Printing Service)		225801		



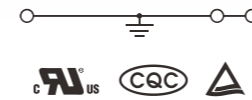
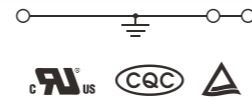
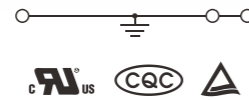
1.5mm² 一进两出接地端子
1-2 Feed Through Ground Terminal Block

尺寸Size		厚度Thickness	宽度Width	高度Height
注: 安装NS35/7.5导轨后的高度 Note: Height With DIN Rail NS 35/7.5		4	62.1	34.5
额定参数Rated Parameters		IEC	UL	
额定电压Rated Voltage	[V]	*	*	
额定电流Rated Current	[A]	*	*	
接线容量Wire Range		刚性Solid	柔性Fine Stranded	带冷压头Furrule
	[mm ²]	0.2-1.5	0.2-1.5	0.2-1
	[AWG]	28-16	28-16	28-16
其余参数Other Parameters		绝缘材料/阻燃等级, 符合UL94 Insulating Material / Flame Retardant Grade, Conforming To UL94		
剥线长度Strip length	[mm]	8-9		
产品Product		颜色Colour		
适配NS 35/7.5导轨 Can Be Used For DIN Rail NS 35/7.5	黄绿Yellow green	215957		
	*	*		
	*	*		
配套附件Accessory		订货信息Order Information		
端板Cover Plate		订货号Order NO.		
	灰Gray	215151		
端板Cover Plate	橙Orange	215152		
	*	*		
跨接件Jumper	颜色Colour	订货号Order NO.		
	灰Gray	215701		
相邻跨接桥Adjacent Jumper		*		
间隔跨接桥Staggered Jumper		*		
导线跨接桥Wire Jumper		*		
安全警告标记 Protective Warning Marker		订货号Order NO.		
5位PCS		215701		
正面标记和侧面标记Front And Side Marker		订货号Order NO.		
100PCS一片 (可提供印字服务Printing Service)		215801		



2.5mm² 一进两出接地端子
1-2 Feed Through Ground Terminal Block

尺寸Size		厚度Thickness	宽度Width	高度Height
注: 安装NS35/7.5导轨后的高度 Note: Height With DIN Rail NS 35/7.5		5	64.4	35.5
额定参数Rated Parameters		IEC	UL	
额定电压Rated Voltage	[V]	*	*	
额定电流Rated Current	[A]	*	*	
接线容量Wire Range		刚性Solid	柔性Fine Stranded	带冷压头Furrule
	[mm ²]	0.2-2.5	0.2-2.5	0.2-1.5
	[AWG]	28-14	28-14	28-14
其余参数Other Parameters		绝缘材料/阻燃等级, 符合UL94 Insulating Material / Flame Retardant Grade, Conforming To UL94		
剥线长度Strip length	[mm]	8-9		
产品Product		颜色Colour		
适配NS 35/7.5导轨 Can Be Used For DIN Rail NS 35/7.5	黄绿Yellow green	225957		
	*	*		
	*	*		
配套附件Accessory		订货信息Order Information		
端板Cover Plate		订货号Order NO.		
	灰Gray	225151		
端板Cover Plate	橙Orange	225152		
	*	*		
跨接件Jumper	颜色Colour	订货号Order NO.		
	灰Gray	225701		
相邻跨接桥Adjacent Jumper		*		
间隔跨接桥Staggered Jumper		*		
导线跨接桥Wire Jumper		*		
安全警告标记 Protective Warning Marker		订货号Order NO.		
5位PCS		225701		
正面标记和侧面标记Front And Side Marker		订货号Order NO.		
100PCS一片 (可提供印字服务Printing Service)		225801		



4mm² 一进两出接地端子
1-2 Feed Through Ground Terminal Block

6mm² 一进两出接地端子
1-2 Feed Through Ground Terminal Block

10mm² 一进两出接地端子
1-2 Feed Through Ground Terminal Block

16mm² 一进两出接地端子
1-2 Feed Through Ground Terminal Block

尺寸Size	
注: 安装NS35/7.5导轨后的高度 Note: Height With DIN Rail NS 35/7.5	[mm]
额定参数Rated Parameters	
额定电压Rated Voltage	[V]
额定电流Rated Current	[A]
接线容量Wire Range	
	[mm ²]
	[AWG]
其余参数Other Parameters	
绝缘材料/阻燃等级, 符合UL94 Insulating Material / Flame Retardant Grade, Conforming To UL94	
剥线长度Strip length	[mm]

技术参数Technical Parameter		
厚度Thickness	宽度Width	高度Height
6	73.5	36
IEC	UL	
*	*	
*	*	
刚性Solid	柔性Fine Stranded	带冷压头Furrule
0.2-4	0.2-4	0.2-2.5
28-12	28-12	28-12
V0		
9-10		

技术参数Technical Parameter		
厚度Thickness	宽度Width	高度Height
8	92.2	40
IEC	UL	
*	*	
*	*	
刚性Solid	柔性Fine Stranded	带冷压头Furrule
0.2-6	0.2-6	0.2-4
28-10	28-10	28-10
V0		
12-13		

技术参数Technical Parameter		
厚度Thickness	宽度Width	高度Height
10	96.6	42.5
IEC	UL	
*	*	
*	*	
刚性Solid	柔性Fine Stranded	带冷压头Furrule
0.2-10	0.2-10	0.2-6
28-8	28-8	28-8
V0		
12-13		

技术参数Technical Parameter		
厚度Thickness	宽度Width	高度Height
12	103.5	45
IEC	UL	
*	*	
*	*	
刚性Solid	柔性Fine Stranded	带冷压头Furrule
0.2-16	0.2-16	0.2-10
28-6	28-6	28-6
V0		
16-17		

产品信息Product	
颜色Colour	黄绿色Yellow green
适配NS 35/7.5导轨 Can Be Used For DIN Rail NS 35/7.5	*

订货信息Order Information	
订货号Order NO.	204957
	*
	*

订货信息Order Information	
订货号Order NO.	206957
	*
	*

订货信息Order Information	
订货号Order NO.	210957
	*
	*

订货信息Order Information	
订货号Order NO.	216957
	*
	*

端板Cover Plate	
颜色Colour	灰Gray
	橙Orange
	*

配套附件Accessory	
订货号Order NO.	204151
	204152
	*

配套附件Accessory	
订货号Order NO.	206151
	206152
	*

配套附件Accessory	
订货号Order NO.	210151
	210152
	*

配套附件Accessory	
订货号Order NO.	216151
	216152
	*

跨接件Jumper	
颜色Colour	灰Gray
相邻跨接桥Adjacent Jumper	
间隔跨接桥Staggered Jumper	
导线跨接桥Wire Jumper	

跨接件Jumper	
订货号Order NO.	*
	*
	*

跨接件Jumper	
订货号Order NO.	*
	*
	*

跨接件Jumper	
订货号Order NO.	*
	*
	*

跨接件Jumper	
订货号Order NO.	*
	*
	*

安全警告标记 Protective Warning Marker	
5位PCS	
正面标记和侧面标记Front And Side Marker	
100PCS一片 (可提供印字服务Printing Service)	

安全警告标记 Protective Warning Marker	
订货号Order NO.	204701
	225801

安全警告标记 Protective Warning Marker	
订货号Order NO.	206701
	225801

安全警告标记 Protective Warning Marker	
订货号Order NO.	210701
	225801

安全警告标记 Protective Warning Marker	
订货号Order NO.	216701
	225801



1.5mm² 两进两出接线端子
2-2 Feed Through Terminal Block

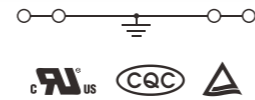
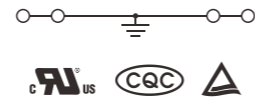
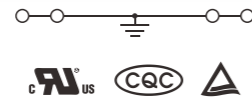
2.5mm² 两进两出接线端子
2-2 Feed Through Terminal Block

4mm² 两进两出接线端子
2-2 Feed Through Terminal Block

1.5mm² 两进两出接线端子(侧面标记)
2-2 Feed Through Terminal Block(Side Marking)

2.5mm² 两进两出接线端子(侧面标记)
2-2 Feed Through Terminal Block(Side Marking)

		技术参数Technical Parameter			技术参数Technical Parameter			技术参数Technical Parameter			技术参数Technical Parameter			技术参数Technical Parameter						
尺寸Size		厚度Thickness	宽度Width	高度Height	厚度Thickness	宽度Width	高度Height	厚度Thickness	宽度Width	高度Height	厚度Thickness	宽度Width	高度Height	厚度Thickness	宽度Width	高度Height				
注: 安装NS35/7.5导轨后的高度 Note: Height With DIN Rail NS 35/7.5		[mm]	4	72.6	34.5	5	75.9	35.5	6	86.2	36	4	68	34.5	5	73	35.5			
额定参数Rated Parameters		IEC	UL		IEC	UL		IEC	UL		IEC	UL		IEC	UL		IEC	UL		
额定电压Rated Voltage		[V]	800	600		800	600		800	600		800	600		800	600		800	600	
额定电流Rated Current		[A]	18	10		24	20		32	20		18	10		24	20		24	20	
接线容量Wire Range			刚性Solid	柔性Fine Stranded	带冷压头Furrule	刚性Solid	柔性Fine Stranded	带冷压头Furrule	刚性Solid	柔性Fine Stranded	带冷压头Furrule	刚性Solid	柔性Fine Stranded	带冷压头Furrule	刚性Solid	柔性Fine Stranded	带冷压头Furrule	刚性Solid	柔性Fine Stranded	带冷压头Furrule
		[mm ²]	0.2-1.5	0.2-1.5	0.2-1	0.2-2.5	0.2-2.5	0.2-1.5	0.2-4	0.2-4	0.2-2.5	0.2-1.5	0.2-1.5	0.2-1	0.2-2.5	0.2-2.5	0.2-1.5	0.2-2.5	0.2-2.5	0.2-1.5
		[AWG]	28-16	28-16	28-16	28-14	28-14	28-14	28-12	28-12	28-12	28-16	28-16	28-16	28-14	28-14	28-14	28-14	28-14	28-14
其余参数Other Parameters			绝缘材料/阻燃等级, 符合UL94 Insulating Material / Flame Retardant Grade, Conforming To UL94			V0			V0			V0			V0					
剥线长度Strip length		[mm]	8-9			8-9			9-10			8-9			8-9					
产品Product		颜色Colour	订货信息Order Information			订货信息Order Information			订货信息Order Information			订货信息Order Information			订货信息Order Information					
适配NS 35/7.5导轨 Can Be Used For DIN Rail NS 35/7.5		灰Gray	订货号Order NO.			订货号Order NO.			订货号Order NO.			订货号Order NO.			订货号Order NO.					
		橙Orange	215931			225931			204931			215901			225901					
		蓝Blue	215932			225932			204932			*			*					
			215934			225934			204934			215902			225902					
配套附件Accessory			配套附件Accessory			配套附件Accessory			配套附件Accessory			配套附件Accessory			配套附件Accessory					
端板Cover Plate			订货号Order NO.			订货号Order NO.			订货号Order NO.			订货号Order NO.			订货号Order NO.					
		灰Gray	215131			225131			204131			215101			225101					
端板Cover Plate		橙Orange	215132			225132			204132			215102			225102					
		*	*			*			*			*			*					
跨接件Jumper		颜色Colour	跨接件Jumper			跨接件Jumper			跨接件Jumper			跨接件Jumper			跨接件Jumper					
		灰Gray	订货号Order NO.			订货号Order NO.			订货号Order NO.			订货号Order NO.			订货号Order NO.					
相邻跨接桥Adjacent Jumper			215301			225301			204301			215301			225301					
间隔跨接桥Staggered Jumper			*			225321-3			*			*			225321-3					
导线跨接桥Wire Jumper			*			225311(L=60mm) 225312(L=110mm) 225313(L=250mm)			*			*			225311(L=60mm) 225312(L=110mm) 225313(L=250mm)					
安全警告标记 Protective Warning Marker			订货号Order NO.			订货号Order NO.			订货号Order NO.			订货号Order NO.			订货号Order NO.					
5位PCS			215701			225701			204701			215701			225701					
正面标记和侧面标记Front And Side Marker			订货号Order NO.			订货号Order NO.			订货号Order NO.			订货号Order NO.			订货号Order NO.					
100PCS一片 (可提供印字服务Printing Service)			215801			225801			225801			215801			225801					



1.5mm² 两进两出接地端子
2-2 Feed Through Ground Terminal Block

2.5mm² 两进两出接地端子
2-2 Feed Through Ground Terminal Block

4mm² 两进两出接地端子
2-2 Feed Through Ground Terminal Block

尺寸Size	
注: 安装NS35/7.5导轨后的高度 Note: Height With DIN Rail NS 35/7.5	[mm]
额定参数Rated Parameters	
额定电压Rated Voltage	[V]
额定电流Rated Current	[A]
接线容量Wire Range	
	[mm ²]
	[AWG]
其余参数Other Parameters	
绝缘材料/阻燃等级, 符合UL94 Insulating Material / Flame Retardant Grade, Conforming To UL94	
剥线长度Strip length	[mm]

技术参数Technical Parameter		
厚度Thickness	宽度Width	高度Height
4	72.6	34.5
IEC	UL	
*	*	
刚性Solid	柔性Fine Stranded	带冷压头Furrule
0.2-1.5	0.2-1.5	0.2-1
28-16	28-16	28-16
V0		
8-9		

技术参数Technical Parameter		
厚度Thickness	宽度Width	高度Height
5	75.9	35.5
IEC	UL	
*	*	
刚性Solid	柔性Fine Stranded	带冷压头Furrule
0.2-2.5	0.2-2.5	0.2-1.5
28-14	28-14	28-14
V0		
8-9		

技术参数Technical Parameter		
厚度Thickness	宽度Width	高度Height
6	86.2	36
IEC	UL	
*	*	
刚性Solid	柔性Fine Stranded	带冷压头Furrule
0.2-4	0.2-4	0.2-2.5
28-12	28-12	28-12
V0		
9-10		

产品Product	
颜色Colour	黄绿色Yellow green
适配NS 35/7.5导轨 Can Be Used For DIN Rail NS 35/7.5	*

订货信息Order Information	
订货号Order NO.	
215947	
*	
*	

订货信息Order Information	
订货号Order NO.	
225947	
*	
*	

订货信息Order Information	
订货号Order NO.	
204947	
*	
*	

端板Cover Plate	
端板Cover Plate	灰Gray
端板Cover Plate	橙Orange
*	

配套附件Accessory	
订货号Order NO.	
215131	
215132	
*	

配套附件Accessory	
订货号Order NO.	
225131	
225132	
*	

配套附件Accessory	
订货号Order NO.	
204131	
204132	
*	

跨接件Jumper	
跨接件Jumper	灰Gray
相邻跨接桥Adjacent Jumper	
间隔跨接桥Staggered Jumper	
导线跨接桥Wire Jumper	

跨接件Jumper	
订货号Order NO.	
*	
*	
*	

跨接件Jumper	
订货号Order NO.	
*	
*	
*	

跨接件Jumper	
订货号Order NO.	
*	
*	
*	

安全警告标记 Protective Warning Marker	
安全警告标记 Protective Warning Marker	
5位PCS	
正面标记和侧面标记Front And Side Marker	
正面标记和侧面标记 Front And Side Marker	100PCS一片 (可提供印字服务Printing Service)

安全警告标记 Protective Warning Marker	
订货号Order NO.	
215701	
正面标记和侧面标记 Front And Side Marker	
订货号Order NO.	
215801	

安全警告标记 Protective Warning Marker	
订货号Order NO.	
225701	
正面标记和侧面标记 Front And Side Marker	
订货号Order NO.	
225801	

安全警告标记 Protective Warning Marker	
订货号Order NO.	
204701	
正面标记和侧面标记 Front And Side Marker	
订货号Order NO.	
225801	



1.5mm² 两进两出分断式接线端子
2-2 Feed Through Disconnect Terminal Block

2.5mm² 两进两出分断式接线端子
2-2 Feed Through Disconnect Terminal Block

4mm² 两进两出分断式接线端子
2-2 Feed Through Disconnect Terminal Block

1.5mm² 两进两出分断式接线端子(侧面标记)
2-2 Feed Through Disconnect Terminal Block Rail(Side Marking)

2.5mm² 两进两出分断式接线端子(侧面标记)
2-2 Feed Through Disconnect Terminal Block(Side Marking)

	1.5mm ² 两进两出分断式接线端子 2-2 Feed Through Disconnect Terminal Block			2.5mm ² 两进两出分断式接线端子 2-2 Feed Through Disconnect Terminal Block			4mm ² 两进两出分断式接线端子 2-2 Feed Through Disconnect Terminal Block			1.5mm ² 两进两出分断式接线端子(侧面标记) 2-2 Feed Through Disconnect Terminal Block Rail(Side Marking)			2.5mm ² 两进两出分断式接线端子(侧面标记) 2-2 Feed Through Disconnect Terminal Block(Side Marking)					
	技术参数Technical Parameter			技术参数Technical Parameter			技术参数Technical Parameter			技术参数Technical Parameter			技术参数Technical Parameter					
尺寸Size	厚度Thickness	宽度Width	高度Height	厚度Thickness	宽度Width	高度Height	厚度Thickness	宽度Width	高度Height	厚度Thickness	宽度Width	高度Height	厚度Thickness	宽度Width	高度Height			
注: 安装NS35/7.5导轨后的高度 Note: Height With DIN Rail NS 35/7.5	[mm]	4	72.6	34.5	5	75.9	35.5	6	86.2	36	4	68	34.5	5	73	35.5		
额定参数Rated Parameters	IEC	UL		IEC	UL		IEC	UL		IEC	UL		IEC	UL		IEC	UL	
额定电压Rated Voltage	[V]	800	600		800	600		800	600		800	600		800	600		800	600
额定电流Rated Current	[A]	18	10		24	20		32	20		18	10		24	20		24	20
接线容量Wire Range	刚性Solid	柔性Fine Stranded	带冷压头Furrule	刚性Solid	柔性Fine Stranded	带冷压头Furrule	刚性Solid	柔性Fine Stranded	带冷压头Furrule	刚性Solid	柔性Fine Stranded	带冷压头Furrule	刚性Solid	柔性Fine Stranded	带冷压头Furrule	刚性Solid	柔性Fine Stranded	带冷压头Furrule
[mm ²]	0.2-1.5	0.2-1.5	0.2-1	0.2-2.5	0.2-2.5	0.2-1.5	0.2-4	0.2-4	0.2-2.5	0.2-1.5	0.2-1.5	0.2-1	0.2-2.5	0.2-2.5	0.2-1.5	0.2-2.5	0.2-2.5	0.2-1.5
[AWG]	28-16	28-16	28-16	28-14	28-14	28-14	28-12	28-12	28-12	28-16	28-16	28-16	28-14	28-14	28-14	28-14	28-14	28-14
其余参数Other Parameters	绝缘材料/阻燃等级, 符合UL94 Insulating Material / Flame Retardant Grade, Conforming To UL94			V0			V0			V0			V0					
剥线长度Strip length	[mm]	8-9			8-9			9-10			8-9			8-9				
产品Product	颜色Colour	订货信息Order Information			订货信息Order Information			订货信息Order Information			订货信息Order Information			订货信息Order Information				
适配NS 35/7.5导轨 Can Be Used For DIN Rail NS 35/7.5	灰Gray	订货号Order NO.			订货号Order NO.			订货号Order NO.			订货号Order NO.			订货号Order NO.				
	橙Orange	215936			225936			204936			215903			225903				
	蓝Blue	215937			225937			204937			*			*				
		215939			225939			204939			215904			225904				
端板Cover Plate		配套附件Accessory			配套附件Accessory			配套附件Accessory			配套附件Accessory			配套附件Accessory				
端板Cover Plate	灰Gray	订货号Order NO.			订货号Order NO.			订货号Order NO.			订货号Order NO.			订货号Order NO.				
	橙Orange	215131			225131			204131			215101			225101				
	*	215132			225132			204132			215102			225102				
	*	*			*			*			*			*				
跨接件Jumper	颜色Colour	订货号Order NO.			订货号Order NO.			订货号Order NO.			订货号Order NO.			订货号Order NO.				
	灰Gray	订货号Order NO.			订货号Order NO.			订货号Order NO.			订货号Order NO.			订货号Order NO.				
相邻跨接桥Adjacent Jumper		*			*			*			*			*				
间隔跨接桥Staggered Jumper		*			*			*			*			*				
导线跨接桥Wire Jumper		*			*			*			*			*				
安全警告标记 Protective Warning Marker		订货号Order NO.			订货号Order NO.			订货号Order NO.			订货号Order NO.			订货号Order NO.				
5位PCS		215701			225701			204701			215701			225701				
正面标记和侧面标记Front And Side Marker		订货号Order NO.			订货号Order NO.			订货号Order NO.			订货号Order NO.			订货号Order NO.				
100PCS一片 (可提供印字服务Printing Service)		215801			225801			225801			225801			225801				



2.5mm² 两进两出分断式保险丝接线端子(侧面标记)
2-2 Feed Through Fuse Terminal Block With Interrupted Power Rail(Side Marking)

尺寸Size		技术参数Technical Parameter		
注: 安装NS35/7.5导轨后的高度 Note: Height With DIN Rail NS 35/7.5		厚度Thickness	宽度Width	高度Height
[mm]		5	72.6	35.5
额定参数Rated Parameters		IEC	UL	
额定电压Rated Voltage	[V]	800	600	
额定电流Rated Current	[A]	24	20	
接线容量Wire Range		刚性Solid	柔性Fine Stranded	带冷压头Furrule
[mm ²]		0.2-2.5	0.2-2.5	0.2-1.5
[AWG]		28-14	28-14	28-14
其余参数Other Parameters				
绝缘材料/阻燃等级, 符合UL94 Insulating Material / Flame Retardant Grade, Conforming To UL94		V0		
剥线长度Strip length	[mm]	8-9		
产品Product		订货信息Order Information		
颜色Colour	灰Gray	订货号Order NO.	225908	
适配NS 35/7.5导轨 Can Be Used For DIN Rail NS 35/7.5	橙Orange		*	
	蓝Blue		*	
配套附件Accessory		订货信息Order Information		
端板Cover Plate		订货号Order NO.	225101	
端板Cover Plate	灰Gray		225102	
	橙Orange		*	
	*		*	
跨接件Jumper		订货信息Order Information		
颜色Colour	灰Gray	订货号Order NO.	225301	
相邻跨接桥Adjacent Jumper			*	
间隔跨接桥Staggered Jumper			*	
导线跨接桥Wire Jumper			*	
安全警告标记 Protective Warning Marker		订货信息Order NO.		
5位PCS			225701	
正面标记和侧面标记Front And Side Marker		订货信息Order NO.		
100PCS一片 (可提供印字服务Printing Service)			225801	

保险丝盒订货号:
225221(可接发光管220V)、225231(普通型)
适用于: 225908、G型
保险管规格5x20mm和5x25mm

Fuse Box P/N:
225221(For LED Light 220V), 225231(Normal Type)
App for: 225908, G Type
Fuse Size: 5x20mm, 5x25mm



2.5mm² 一进两出斜面接线端子
1-2 Feed Through Angled Type Terminal Block

尺寸Size		技术参数Technical Parameter		
注: 安装NS35/7.5导轨后的高度 Note: Height With DIN Rail NS 35/7.5		厚度Thickness	宽度Width	高度Height
[mm]		5	50	43.5
额定参数Rated Parameters		IEC	UL	
额定电压Rated Voltage	[V]	800	600	
额定电流Rated Current	[A]	24	20	
接线容量Wire Range		刚性Solid	柔性Fine Stranded	带冷压头Furrule
[mm ²]		0.2-2.5	0.2-2.5	0.2-1.5
[AWG]		28-14	28-14	28-14
其余参数Other Parameters				
绝缘材料/阻燃等级, 符合UL94 Insulating Material / Flame Retardant Grade, Conforming To UL94		V0		
剥线长度Strip length	[mm]	8-9		
产品Product		订货信息Order Information		
颜色Colour	灰Gray	订货号Order NO.	225961	
适配NS 35/7.5导轨 Can Be Used For DIN Rail NS 35/7.5	橙Orange		225962	
	蓝Blue		225963	
配套附件Accessory		订货信息Order Information		
端板Cover Plate		订货号Order NO.	225161	
端板Cover Plate	灰Gray		225162	
	橙Orange		*	
	*		*	
跨接件Jumper		订货信息Order Information		
颜色Colour	灰Gray	订货号Order NO.	225301	
相邻跨接桥Adjacent Jumper			225301	
间隔跨接桥Staggered Jumper			225321-3	
导线跨接桥Wire Jumper			225311(L=60mm) 225312(L=110mm) 225313(L=250mm)	
安全警告标记 Protective Warning Marker		订货信息Order NO.		
5位PCS			225701	
正面标记和侧面标记Front And Side Marker		订货信息Order NO.		
100PCS一片 (可提供印字服务Printing Service)			225801	



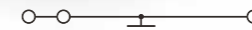
4mm² 一进两出斜面接线端子
1-2 Feed Through Angled Type Terminal Block

尺寸Size		技术参数Technical Parameter		
注: 安装NS35/7.5导轨后的高度 Note: Height With DIN Rail NS 35/7.5		厚度Thickness	宽度Width	高度Height
[mm]		6	61.2	43.5
额定参数Rated Parameters		IEC	UL	
额定电压Rated Voltage	[V]	800	600	
额定电流Rated Current	[A]	32	20	
接线容量Wire Range		刚性Solid	柔性Fine Stranded	带冷压头Furrule
[mm ²]		0.2-4	0.2-4	0.2-2.5
[AWG]		28-12	28-12	28-12
其余参数Other Parameters				
绝缘材料/阻燃等级, 符合UL94 Insulating Material / Flame Retardant Grade, Conforming To UL94		V0		
剥线长度Strip length	[mm]	9-10		
产品Product		订货信息Order Information		
颜色Colour	灰Gray	订货号Order NO.	204961	
适配NS 35/7.5导轨 Can Be Used For DIN Rail NS 35/7.5	橙Orange		204962	
	蓝Blue		204963	
配套附件Accessory		订货信息Order Information		
端板Cover Plate		订货号Order NO.	204161	
端板Cover Plate	灰Gray		204162	
	橙Orange		*	
	*		*	
跨接件Jumper		订货信息Order Information		
颜色Colour	灰Gray	订货号Order NO.	204301	
相邻跨接桥Adjacent Jumper			204301	
间隔跨接桥Staggered Jumper			204301	
导线跨接桥Wire Jumper			204301	
安全警告标记 Protective Warning Marker		订货信息Order NO.		
5位PCS			204701	
正面标记和侧面标记Front And Side Marker		订货信息Order NO.		
100PCS一片 (可提供印字服务Printing Service)			225801	



2.5mm² 两进两出斜面接线端子
2-2 Feed Through Angled Type Terminal Block

技术参数Technical Parameter	
尺寸Size	厚度Thickness 宽度Width 高度Height
注: 安装NS35/7.5导轨后的高度 Note: Height With DIN Rail NS 35/7.5	[mm] 5 50.2 43.5
额定参数Rated Parameters	IEC UL
额定电压Rated Voltage	[V] 800 600
额定电流Rated Current	[A] 24 20
接线容量Wire Range	刚性Solid 柔性Fine Stranded 带冷压头Furrule
	[mm ²] 0.2-2.5 0.2-2.5 0.2-1.5
	[AWG] 28-14 28-14 28-14
其余参数Other Parameters	
绝缘材料/阻燃等级, 符合UL94 Insulating Material / Flame Retardant Grade, Conforming To UL94	V0
剥线长度Strip length	[mm] 8-9
订货信息Order Information	
产品Product	颜色Colour
适配NS 35/7.5导轨 Can Be Used For DIN Rail NS 35/7.5	灰Gray 225965 橙Orange 225966 蓝Blue 225967
配套附件Accessory	
端板Cover Plate	订货号Order NO.
	灰Gray 225161 橙Orange 225162
端板Cover Plate	*
跨接件Jumper	颜色Colour
	灰Gray 订货号Order NO.
相邻跨接桥Adjacent Jumper	*
间隔跨接桥Staggered Jumper	*
导线跨接桥Wire Jumper	*
安全警告标记 Protective Warning Marker	订货号Order NO.
5位PCS	225701
正面标记和侧面标记Front And Side Marker	订货号Order NO.
100PCS一片 (可提供印字服务Printing Service)	225801



2.5mm² 一进两出斜面接地端子
1-2 Feed Through Ground Angled Type Terminal Block

技术参数Technical Parameter	
尺寸Size	厚度Thickness 宽度Width 高度Height
注: 安装NS35/7.5导轨后的高度 Note: Height With DIN Rail NS 35/7.5	[mm] 5 50 43.5
额定参数Rated Parameters	IEC UL
额定电压Rated Voltage	[V] * *
额定电流Rated Current	[A] * *
接线容量Wire Range	刚性Solid 柔性Fine Stranded 带冷压头Furrule
	[mm ²] 0.2-2.5 0.2-2.5 0.2-1.5
	[AWG] 28-14 28-14 28-14
其余参数Other Parameters	
绝缘材料/阻燃等级, 符合UL94 Insulating Material / Flame Retardant Grade, Conforming To UL94	V0
剥线长度Strip length	[mm] 8-9
订货信息Order Information	
产品Product	颜色Colour
适配NS 35/7.5导轨 Can Be Used For DIN Rail NS 35/7.5	黄绿Yellow green 225964 * * * *
配套附件Accessory	
端板Cover Plate	订货号Order NO.
	灰Gray 225161 橙Orange 225162
端板Cover Plate	*
跨接件Jumper	颜色Colour
	灰Gray 订货号Order NO.
相邻跨接桥Adjacent Jumper	*
间隔跨接桥Staggered Jumper	*
导线跨接桥Wire Jumper	*
安全警告标记 Protective Warning Marker	订货号Order NO.
5位PCS	225701
正面标记和侧面标记Front And Side Marker	订货号Order NO.
100PCS一片 (可提供印字服务Printing Service)	225801



4mm² 一进两出斜面接地端子
1-2 Feed Through Ground Angled Type Terminal Block

技术参数Technical Parameter	
尺寸Size	厚度Thickness 宽度Width 高度Height
注: 安装NS35/7.5导轨后的高度 Note: Height With DIN Rail NS 35/7.5	[mm] 6 61.2 43.5
额定参数Rated Parameters	IEC UL
额定电压Rated Voltage	[V] * *
额定电流Rated Current	[A] * *
接线容量Wire Range	刚性Solid 柔性Fine Stranded 带冷压头Furrule
	[mm ²] 0.2-4 0.2-4 0.2-2.5
	[AWG] 28-12 28-12 28-12
其余参数Other Parameters	
绝缘材料/阻燃等级, 符合UL94 Insulating Material / Flame Retardant Grade, Conforming To UL94	V0
剥线长度Strip length	[mm] 9-10
订货信息Order Information	
产品Product	颜色Colour
适配NS 35/7.5导轨 Can Be Used For DIN Rail NS 35/7.5	黄绿Yellow green 204964 * * * *
配套附件Accessory	
端板Cover Plate	订货号Order NO.
	灰Gray 204161 橙Orange 204162
端板Cover Plate	*
跨接件Jumper	颜色Colour
	灰Gray 订货号Order NO.
相邻跨接桥Adjacent Jumper	*
间隔跨接桥Staggered Jumper	*
导线跨接桥Wire Jumper	*
安全警告标记 Protective Warning Marker	订货号Order NO.
5位PCS	204701
正面标记和侧面标记Front And Side Marker	订货号Order NO.
100PCS一片 (可提供印字服务Printing Service)	225801



1.5mm² 一针一线插拔式接线端子
1-1 Feed Through Pluggable Terminal Block



2.5mm² 一针一线插拔式接线端子
1-1 Feed Through Pluggable Terminal Block



1.5mm² 两针两线插拔式接线端子
2-2 Feed Through Pluggable Terminal Block

尺寸Size	
注: 安装NS35/7.5导轨后的高度 Note: Height With DIN Rail NS 35/7.5	[mm]
额定电压Rated Voltage	[V]
额定电流Rated Current	[A]
接线容量Wire Range	
	[mm ²]
	[AWG]
其余参数Other Parameters	
绝缘材料/阻燃等级, 符合UL94 Insulating Material / Flame Retardant Grade, Conforming To UL94	
剥线长度Strip length	[mm]
产品Product	
颜色Colour	
适配NS 35/7.5导轨 Can Be Used For DIN Rail NS 35/7.5	灰Gray 橙Orange 蓝Blue
端板Cover Plate	
端板Cover Plate	灰Gray 橙Orange
跨接件Jumper	
颜色Colour	灰Gray
相邻跨接桥Adjacent Jumper	
间隔跨接桥Staggered Jumper	
导线跨接桥Wire Jumper	
安全警告标记 Protective Warning Marker	
5位PCS	
正面标记和侧面标记Front And Side Marker	
100PCS一片 (可提供印字服务Printing Service)	

技术参数Technical Parameter		
厚度Thickness	宽度Width	高度Height
3.5	49.5	29.6
IEC	UL	
500	300	
13.5	10	
刚性Solid	柔性Fine Stranded	带冷压头Furrule
0.2-1.5	0.2-1.5	0.2-1
24-16	24-16	24-16
V0		
8-9		
订货信息Order Information		
订货号Order NO.		
2150-1201		
2150-1202		
2150-1204		
配套附件Accessory		
订货号Order NO.		
2150-1291		
2150-1292		
*		
订货号Order NO.		
2150-302~2150-320 注: (2-20位梳状跨接桥)		
2150-402~2150-410 注: (2-20位跨盖板跨接桥)		
*		
订货号Order NO.		
215701		
订货号Order NO.		
2150-801		

技术参数Technical Parameter		
厚度Thickness	宽度Width	高度Height
5	53	35.5
IEC	UL	
800	600	
24	20	
刚性Solid	柔性Fine Stranded	带冷压头Furrule
0.2-2.5	0.2-2.5	0.2-1.5
28-14	28-14	28-14
V0		
8-9		
订货信息Order Information		
订货号Order NO.		
225981		
225982		
225984		
配套附件Accessory		
订货号Order NO.		
225181		
225182		
*		
订货号Order NO.		
225301		
225321-3		
225311(L=60mm) 225312(L=110mm) 225313(L=250mm)		
订货号Order NO.		
225701		
订货号Order NO.		
225801		

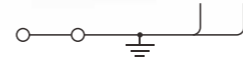
技术参数Technical Parameter		
厚度Thickness	宽度Width	高度Height
3.5	85.8	29.6
IEC	UL	
500	300	
13.5	10	
刚性Solid	柔性Fine Stranded	带冷压头Furrule
0.2-1.5	0.2-1.5	0.2-1
24-16	24-16	24-16
V0		
8-9		
订货信息Order Information		
订货号Order NO.		
2150-1401		
2150-1402		
2150-1404		
配套附件Accessory		
订货号Order NO.		
2150-1491		
2150-1492		
*		
订货号Order NO.		
2150-302~2150-320		
2150-402~2150-410		
*		
订货号Order NO.		
215701		
订货号Order NO.		
2150-801		



1.5mm² 一针一线插拔式接地端子
1-1 Feed Through Ground Pluggable Terminal Block



2.5mm² 一针一线插拔式接地端子
1-1 Feed Through Ground Pluggable Terminal Block



1.5mm² 两针两线插拔式接地端子
2-2 Feed Through Ground Pluggable Terminal Block



1.5mm² 插头
Plug

尺寸Size	
注: 安装NS35/7.5导轨后的高度 Note: Height With DIN Rail NS 35/7.5	[mm]
额定参数Rated Parameters	
额定电压Rated Voltage	[V]
额定电流Rated Current	[A]
接线容量Wire Range	
	[mm²]
	[AWG]
其余参数Other Parameters	
绝缘材料/阻燃等级, 符合UL94 Insulating Material / Flame Retardant Grade, Conforming To UL94	
剥线长度Strip length	[mm]

技术参数Technical Parameter		
厚度Thickness	宽度Width	高度Height
3.5	49.5	29.6
IEC	UL	
*	*	
*	*	
刚性Solid	柔性Fine Stranded	带冷压头Furrule
0.2-1.5	0.2-1.5	0.2-1
24-16	24-16	24-16
V0		
8-9		

技术参数Technical Parameter		
厚度Thickness	宽度Width	高度Height
5	53	35.5
IEC	UL	
*	*	
*	*	
刚性Solid	柔性Fine Stranded	带冷压头Furrule
0.2-2.5	0.2-2.5	0.2-1.5
28-14	28-14	28-14
V0		
8-9		

技术参数Technical Parameter		
厚度Thickness	宽度Width	高度Height
3.5	85.8	29.6
IEC	UL	
*	*	
*	*	
刚性Solid	柔性Fine Stranded	带冷压头Furrule
0.2-1.5	0.2-1.5	0.2-1
24-16	24-16	24-16
V0		
8-9		

尺寸Size		
		[mm]
额定参数Rated Parameters		
额定电压Rated Voltage		[V]
额定电流Rated Current		[A]
接线容量Wire Range		
		[mm²]
		[AWG]
其余参数Other Parameters		
绝缘材料/阻燃等级, 符合UL94 Insulating Material / Flame Retardant Grade, Conforming To UL94		
		[mm]

技术参数Technical Parameter		
厚度Thickness	宽度Width	高度Height
(P*3.5+1)	38.95	21.5
IEC	UL	
500	300	
13.5	10	
刚性Solid	柔性Fine Stranded	带冷压头Furrule
0.2-1.5	0.2-1.5	0.2-1
24-16	24-16	24-16
V0		
8-9		

产品Product	
颜色Colour	黄绿色Yellow green
适配NS 35/7.5导轨 Can Be Used For DIN Rail NS 35/7.5	*

订货信息Order Information	
订货号Order NO.	2150-1207
	*
	*

订货信息Order Information	
订货号Order NO.	225987
	*
	*

订货信息Order Information	
订货号Order NO.	2150-1407
	*
	*

产品Product	位数Pole No.	颜色Colour
	1	灰Gray

	15	灰Gray

订货信息Order Information	
订货号Order NO.	2150-101
	...
	2150-115

配套附件Accessory	
端板Cover Plate	灰Gray
端板Cover Plate	橙Orange

配套附件Accessory	
订货号Order NO.	2150-1291
	2150-1292

配套附件Accessory	
订货号Order NO.	225181
	225182

配套附件Accessory	
订货号Order NO.	2150-1491
	2150-1492

配套附件Accessory	
端板Cover Plate	灰Gray
端板Cover Plate (2150-1XX已包含盖板)	橙Orange

配套附件Accessory	
订货号Order NO.	*
	*
	*

跨接件Jumper	
颜色Colour	灰Gray
相邻跨接桥Adjacent Jumper	
间隔跨接桥Staggered Jumper	
导线跨接桥Wire Jumper	

跨接件Jumper	
订货号Order NO.	*
	*
	*

跨接件Jumper	
订货号Order NO.	*
	*
	*

跨接件Jumper	
订货号Order NO.	*
	*
	*

跨接件Jumper	
颜色Colour	灰Gray
相邻跨接桥Adjacent Jumper	
间隔跨接桥Staggered Jumper	
导线跨接桥Wire Jumper	

跨接件Jumper	
订货号Order NO.	*
	*
	*

安全警告标记 Protective Warning Marker	
5位PCS	
正面标记和侧面标记Front And Side Marker	

安全警告标记 Protective Warning Marker	
订货号Order NO.	215701
	215701
正面标记和侧面标记Front And Side Marker	2150-801

安全警告标记 Protective Warning Marker	
订货号Order NO.	225701
	225701
正面标记和侧面标记Front And Side Marker	225801

安全警告标记 Protective Warning Marker	
订货号Order NO.	215701
	215701
正面标记和侧面标记Front And Side Marker	2150-801

安全警告标记 Protective Warning Marker	
订货号Order NO.	215701
	215701
正面标记和侧面标记Front And Side Marker	2150-801

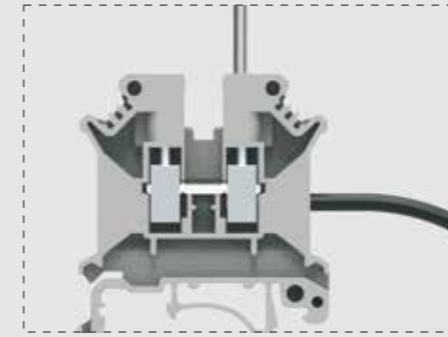
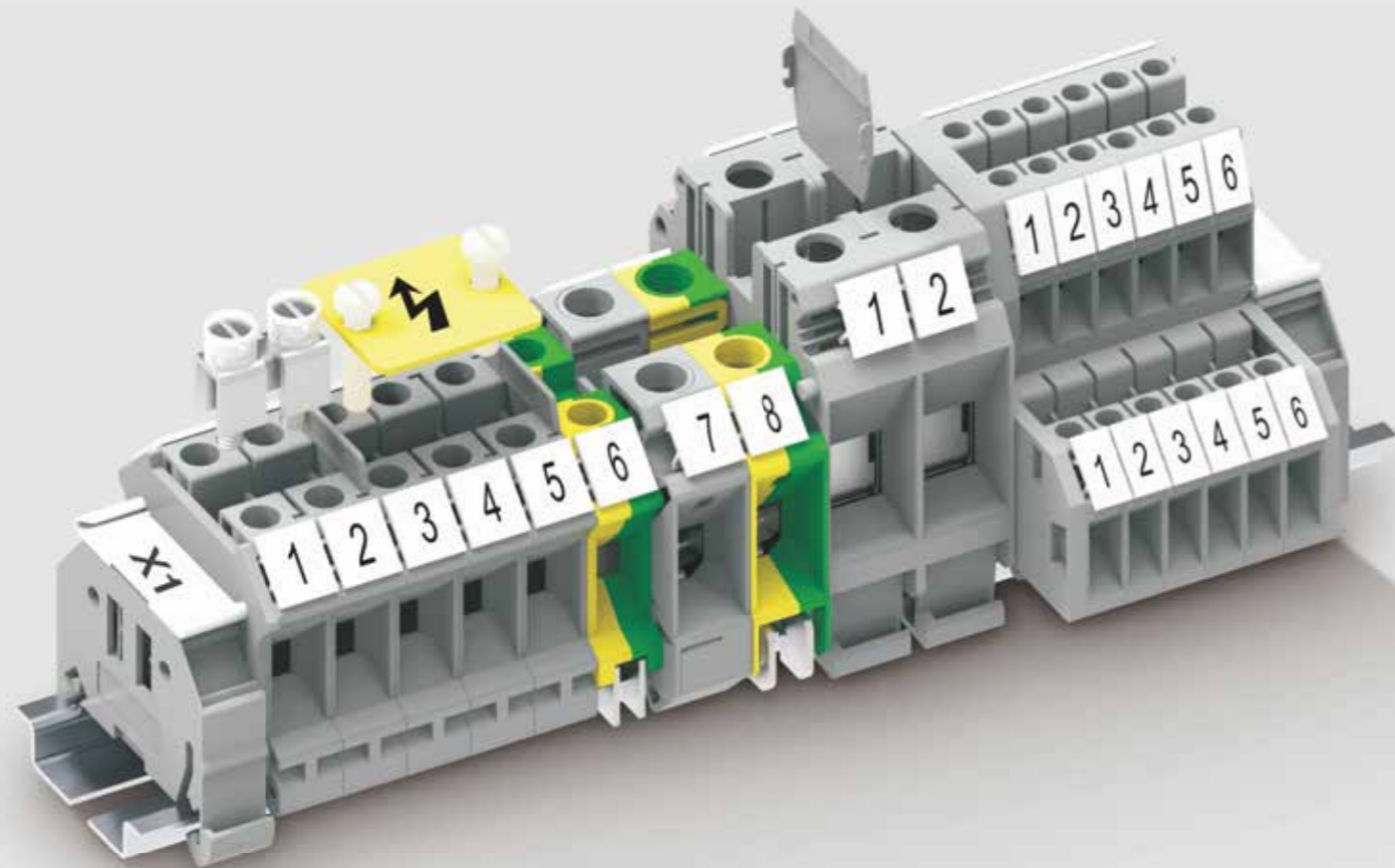
安全警告标记 Protective Warning Marker	
订货号Order NO.	215701
	215701
正面标记和侧面标记Front And Side Marker	2150-801

UK系列螺钉接线端子

UK Rail-mounted Terminal Blocks With Screw Clamp

UK系列螺钉接线端子使用螺钉压线框技术，能够完成各种客户需求的端子组合并提供丰富的组合端子附件供客户挑选使用。能够最大程度的保证客户操作的舒适性，既节省了占用空间又便于操作实现。广泛应用于各种低压电力设备的控制连接转换。产品设计制造符合IEC60947、UL1059等国际标准，并取得CQC、UL、VDE、TUV、CE、ROHS等认证。

UK series rail-mounted screw terminal blocks use screw pressure wire frame technology, is able to complete the terminal connection of a variety of customers' needs and provide a rich combination of terminal accessories. Able to ensure the greatest degree of customers operations comfort, save space and easy to operate. It widely used in the control of the respective low-voltage electrical equipment. Product design and manufacturing in line with relevant international standards such as IEC60947, UL1059 and achieved CQC, UL, VDE, CE, ROHS certification.



螺钉接线 Screw Connection

- ▲ 具有稳定优良的接触特性，连接可靠，接触应用广泛
- ▲ It has stable contact characteristics, reliable connection and widely used



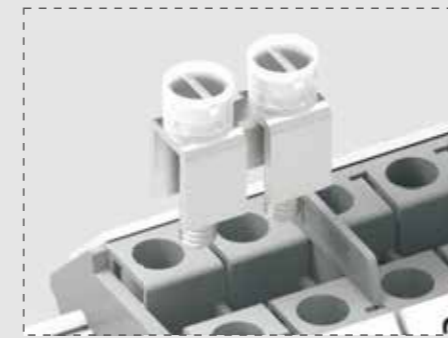
螺钉材料 Screw Material

- ▲ 具有铜/钢两种材料的螺钉，为客户提供多种选择
- ▲ Material option: Brass or steel



标识 Marking

- ▲ 清晰的标记可为端子的安装提供安全、快速的保障
- ▲ Clear marking can provide safety and fast guarantee for terminal installation



跨接系统 Jumper Connector System

- ▲ 使用螺钉固定的跨接件
- ▲ Use the jumper fixed with screws



警告标识 Warning Marker

- ▲ 大片的标识，明显的标识出警告位置
- ▲ Big maker, clearly indicate the warning position



端子挡板 Terminal Board

- ▲ 可对端子进行清晰的分组
- ▲ Terminal blocks can be grouped clearly



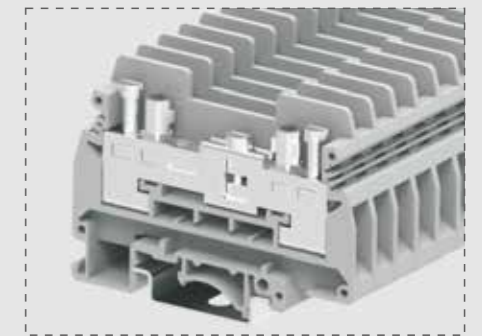
双层端子 Double Deck Terminal Block

- ▲ 上下两层采用错开设计：便于螺丝刀对于下层的操作，可看清下层的标记和导线
- ▲ Staggered design for upper and lower layer: Easy for the screwdriver to operate the lower layer, and can see the marking and wire clearly in lower layer



保险管端子 Terminal Block With Fuse

- ▲ 内部安装保险管，可满足相应电路设计
- ▲ Install the fuse inside, to meet the corresponding circuit design



分断测试端子 Disconnect Test Terminal Block

- ▲ 可实现电流互感器二次回路的各种测试连接
- ▲ Can achieve the various testing connect of secondary circuit of current transformer



1.5mm² UK接线端子
UK Terminal Block

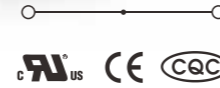
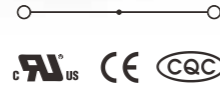
2.5mm² UK接线端子
UK Terminal Block

2.5mm² UK接线端子
UK Terminal Block

4mm² UK接线端子
UK Terminal Block

6mm² UK接线端子
UK Terminal Block

	1.5mm ² UK接线端子 UK Terminal Block			2.5mm ² UK接线端子 UK Terminal Block			2.5mm ² UK接线端子 UK Terminal Block			4mm ² UK接线端子 UK Terminal Block			6mm ² UK接线端子 UK Terminal Block		
	技术参数Technical Parameter			技术参数Technical Parameter			技术参数Technical Parameter			技术参数Technical Parameter			技术参数Technical Parameter		
尺寸Size	厚度Thickness	宽度Width	高度Height	厚度Thickness	宽度Width	高度Height	厚度Thickness	宽度Width	高度Height	厚度Thickness	宽度Width	高度Height	厚度Thickness	宽度Width	高度Height
额定参数Rated Parameters															
额定电压Rated Voltage [V]	500	300		800	300		800	600		800	600		800	600	
额定电流Rated Current [A]	17.5	15		24	20		24	20		32	30		41	50	
接线容量Wire Range															
[mm ²]	0.2-1.5	0.2-1.5	0.2-1.5	0.2-4	0.2-2.5	0.2-2.5	0.2-4	0.2-2.5	0.2-2.5	0.2-6	0.2-4	0.25-2.5	0.2-10	0.2-6	0.25-6
[AWG]	30-14	30-14	30-14	30-12	30-12	30-12	30-12	30-12	30-12	30-10	30-10	30-10	26-8	26-8	26-8
螺钉类型Screw Type [*]	M2			M3			M3			M3			M4		
扭矩Torque [N.m]	0.2-0.25			0.6-0.8			0.6-0.8			0.6-0.8			1.2-1.5		
其余参数Other Parameters															
绝缘材料/阻燃等级, 符合UL94 Insulating Material / Flame Retardant Grade, Conforming To UL94	V0			V0			V0			V0			V0		
剥线长度Strip length [mm]	7			7-8			8-9			8-9			10-11		
产品信息Product	颜色Colour			颜色Colour			颜色Colour			颜色Colour			颜色Colour		
	灰Gray			灰Gray			灰Gray			灰Gray			灰Gray		
	橙Orange			橙Orange			橙Orange			橙Orange			橙Orange		
	蓝Blue			蓝Blue			蓝Blue			蓝Blue			蓝Blue		
配套附件Accessory	配套附件Accessory			配套附件Accessory			配套附件Accessory			配套附件Accessory			配套附件Accessory		
端板Cover Plate	颜色Colour			颜色Colour			颜色Colour			颜色Colour			颜色Colour		
端板Cover Plate	灰Gray			灰Gray			灰Gray			灰Gray			灰Gray		
端板Cover Plate	橙Orange			橙Orange			橙Orange			橙Orange			橙Orange		
隔板Intermediate Plate	灰Gray			灰Gray			灰Gray			灰Gray			灰Gray		
跨接件Jumper	跨接件Jumper			跨接件Jumper			跨接件Jumper			跨接件Jumper			跨接件Jumper		
位数Poles No.	位数Poles No.			位数Poles No.			位数Poles No.			位数Poles No.			位数Poles No.		
2	*			302302			303302			302302			306302		
3	*			302303			303303			302303			306303		
4	*			302304			303304			302304			306304		
...		
9	*			302309			303309			302309			306309		
10	*			302310			303310			302310			306310		
安全警告标记 Protective Warning Marker	安全警告标记			安全警告标记			安全警告标记			安全警告标记			安全警告标记		
	* 订货号Order NO.			* 订货号Order NO.			* 订货号Order NO.			* 订货号Order NO.			* 订货号Order NO.		
正面标记和侧面标记 Front And Side Marker	正面标记和侧面标记			正面标记和侧面标记			正面标记和侧面标记			正面标记和侧面标记			正面标记和侧面标记		
	* 订货号Order NO.			* 订货号Order NO.			* 订货号Order NO.			* 订货号Order NO.			* 订货号Order NO.		
可提供印字服务 Printing Service	* 订货号Order NO.			* 订货号Order NO.			* 订货号Order NO.			* 订货号Order NO.			* 订货号Order NO.		
	306801			306801			305801			306801			308801		



10mm² UK接线端子
UK Terminal Block

16mm² UK接线端子
UK Terminal Block

35mm² UK接线端子
UK Terminal Block

50mm² UK接线端子
UK Terminal Block

70mm² UK接线端子
UK Terminal Block

尺寸Size	
注: 安装NS35/7.5导轨后的高度 Note: Height With DIN Rail NS 35/7.5	[mm]
额定参数Rated Parameters	
额定电压Rated Voltage	[V]
额定电流Rated Current	[A]
接线容量Wire Range	
	[mm²]
	[AWG]
螺钉类型Screw Type	[*]
扭矩Torque	[N.m]
其余参数Other Parameters	
绝缘材料/阻燃等级, 符合UL94 Insulating Material / Flame Retardant Grade, Conforming To UL94	
剥线长度Strip length	[mm]

技术参数Technical Parameter		
厚度Thickness	宽度Width	高度Height
10	42.2	46.8
IEC	UL	
800	600	
57	65	
刚性Solid	柔性Fine Stranded	带冷压头Furrule
0.5-16	0.5-10	0.5-6
24-6	24-6	24-6
M4		
1.2-1.5		
V0		
10-11		

技术参数Technical Parameter		
厚度Thickness	宽度Width	高度Height
12	42.2	53.7
IEC	UL	
800	600	
76	85	
刚性Solid	柔性Fine Stranded	带冷压头Furrule
2.5-25	4-16	1.5-16
22-4	22-4	22-4
M4		
1.2-1.5		
V0		
11-12		

技术参数Technical Parameter		
厚度Thickness	宽度Width	高度Height
15	50.3	62.3
	UL	
1000	600	
125	150	
刚性Solid	柔性Fine Stranded	带冷压头Furrule
0.75-50	0.75-35	0.75-35
18-1/0	18-1/0	18-1/0
M6		
3.0-3.5		
V0		
16-17		

技术参数Technical Parameter		
厚度Thickness	宽度Width	高度Height
20.4	70.7	76.1
IEC	UL	
1000	600	
150	150	
刚性Solid	柔性Fine Stranded	带冷压头Furrule
16-70	25-70	25-50
6-2/0	6-2/0	6-2/0
M6		
6-8		
V0		
24		

技术参数Technical Parameter		
厚度Thickness	宽度Width	高度Height
20.4	70.5	79.5
IEC	UL	
1000	600	
192	150	
刚性Solid	柔性Fine Stranded	带冷压头Furrule
16-70	16-70	25-70
22-6	22-6	22-6
M8		
12		
V0		
22		

产品Product		颜色Colour
适配NS 35/7.5导轨 Can Be Used For DIN Rail NS 35/7.5		灰Gray
		橙Orange
		蓝Blue

订货信息Order Information	
订货号Order NO.	
310901	
310904	
310902	

订货信息Order Information	
订货号Order NO.	
316901	
316904	
316902	

订货信息Order Information	
订货号Order NO.	
335901	
335904	
335902	

订货信息Order Information	
订货号Order NO.	
350901	
*	
*	

订货信息Order Information	
订货号Order NO.	
370901	

端板Cover Plate		颜色Colour
端板Cover Plate		灰Gray
		橙Orange
隔板Intermediate Plate		灰Gray

配套附件Accessory	
订货号Order NO.	
303101	
303102	
302151	

配套附件Accessory	
订货号Order NO.	
316101	
316102	
302151	

配套附件Accessory	
订货号Order NO.	
*	
*	
302151	

配套附件Accessory	
订货号Order NO.	
*	
*	
*	

配套附件Accessory	
订货号Order NO.	
*	
*	
*	

跨接件Jumper	
位数Poles No.	订货号Order NO.
2	310302
3	310303
4	310304
...
9	310309
10	310310

跨接件Jumper	
位数Poles No.	订货号Order NO.
2	316302
3	316303
4	316304
...
9	316309
10	316310

跨接件Jumper	
位数Poles No.	订货号Order NO.
2	335302
3	335303
4	335304
...
9	335309
10	335310

跨接件Jumper	
位数Poles No.	订货号Order NO.
2	350302
3	350303
4	350304
...
9	350309
10	350310

跨接件Jumper	
位数Poles No.	订货号Order NO.
2	*
3	*
4	*
...
9	*
10	*

跨接件Jumper	
位数Poles No.	订货号Order NO.
2	*
3	*
4	*
...
9	*
10	*

安全警告标记 Protective Warning Marker	
订货号Order NO.	
310701	

安全警告标记 Protective Warning Marker	
订货号Order NO.	
310701	

安全警告标记 Protective Warning Marker	
订货号Order NO.	
316701	

安全警告标记 Protective Warning Marker	
订货号Order NO.	
315801	

安全警告标记 Protective Warning Marker	
订货号Order NO.	
310801	

安全警告标记 Protective Warning Marker	
订货号Order NO.	
TMB10.2-10	



95mm² UK接线端子
UK Terminal Block

技术参数Technical Parameter

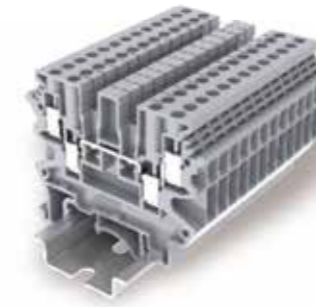
尺寸Size	厚度Thickness	宽度Width	高度Height
注: 安装NS35/7.5导轨后的高度 Note: Height With DIN Rail NS 35/7.5	25	82.9	89.9
额定参数Rated Parameters	IEC	UL	
额定电压Rated Voltage	1000	600	
额定电流Rated Current	232	230	
接线容量Wire Range	刚性Solid	柔性Fine Stranded	带冷压头Furrule
	29-95	29-95	29-95
	[mm ²]		
	2-4/0	2-4/0	2-4/0
	[AWG]		
螺钉类型Screw Type	M8		
扭矩Torque	15-18		
其余参数Other Parameters			
绝缘材料/阻燃等级, 符合UL94 Insulating Material / Flame Retardant Grade, Conforming To UL94	V0		
剥线长度Strip length	33		

订货信息Order Information

产品Product	颜色Colour	订货号Order NO.
适配NS 35/7.5导轨 Can Be Used For DIN Rail NS 35/7.5	灰Gray	395901
	橙Orange	
	蓝Blue	

配套附件Accessory

端板Cover Plate	颜色Colour	订货号Order NO.
端板Cover Plate	灰Gray	*
	橙Orange	*
隔板Intermediate Plate	灰Gray	*
跨接件Jumper		
位数Poles No.		订货号Order NO.
2		*
3		*
4		*
...	
9		*
10		*
安全警告标记 Protective Warning Marker		订货号Order NO.
		*
正面标记和侧面标记Front And Side Marker		订货号Order NO.
可提供印字服务Printing Service		316801



2.5mm² UK二进二出接线端子
2-2 Feed Through Terminal Block

尺寸Size	厚度Thickness	宽度Width	高度Height
注: 安装NS35/7.5导轨后的高度 Note: Height With DIN Rail NS 35/7.5	5.2	58	45.9
额定参数Rated Parameters	IEC	UL	
额定电压Rated Voltage	500	300	
额定电流Rated Current	24	20	
接线容量Wire Range	刚性Solid	柔性Fine Stranded	带冷压头Furrule
	0.2-4	0.2-2.5	0.2-2.5
	[mm ²]		
	24-12	24-12	24-12
	[AWG]		
螺钉类型Screw Type	M3		
扭矩Torque	0.5-0.6		
其余参数Other Parameters			
绝缘材料/阻燃等级, 符合UL94 Insulating Material / Flame Retardant Grade, Conforming To UL94	V0		
剥线长度Strip length	8-9		

产品Product	颜色Colour	订货号Order NO.
适配NS 35/7.5导轨 Can Be Used For DIN Rail NS 35/7.5	灰Gray	303941
	橙Orange	303944
	蓝Blue	303942

端板Cover Plate	颜色Colour	订货号Order NO.
端板Cover Plate	灰Gray	303141
	橙Orange	303142
隔板Intermediate Plate	灰Gray	*
跨接件Jumper		
位数Poles No.		订货号Order NO.
2		303302
3		303303
4		303304
...	
9		303309
10		303310
安全警告标记 Protective Warning Marker		订货号Order NO.
		*
正面标记和侧面标记Front And Side Marker		订货号Order NO.
可提供印字服务Printing Service		315801



4mm² UK二进二出接线端子
2-2 Feed Through Terminal Block

技术参数Technical Parameter

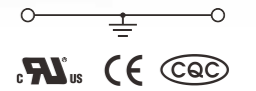
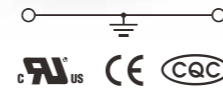
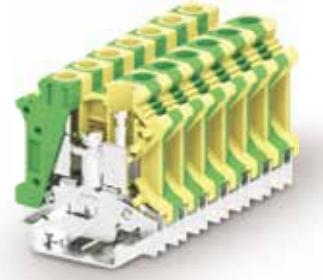
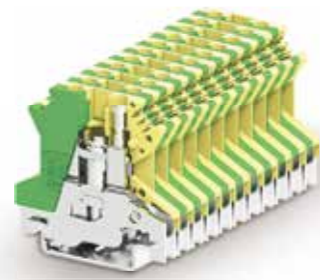
尺寸Size	厚度Thickness	宽度Width	高度Height
注: 安装NS35/7.5导轨后的高度 Note: Height With DIN Rail NS 35/7.5	6.2	58	45.9
额定参数Rated Parameters	IEC	UL	
额定电压Rated Voltage	630	600	
额定电流Rated Current	32	30	
接线容量Wire Range	刚性Solid	柔性Fine Stranded	带冷压头Furrule
	0.2-6	0.2-4	0.2-4
	[mm ²]		
	30-10	30-10	30-10
	[AWG]		
螺钉类型Screw Type	M3		
扭矩Torque	0.5-0.6		
其余参数Other Parameters			
绝缘材料/阻燃等级, 符合UL94 Insulating Material / Flame Retardant Grade, Conforming To UL94	V0		
剥线长度Strip length	8-9		

订货信息Order Information

产品Product	颜色Colour	订货号Order NO.
适配NS 35/7.5导轨 Can Be Used For DIN Rail NS 35/7.5	灰Gray	305941
	橙Orange	305944
	蓝Blue	305942

配套附件Accessory

端板Cover Plate	颜色Colour	订货号Order NO.
端板Cover Plate	灰Gray	303141
	橙Orange	303142
隔板Intermediate Plate	灰Gray	*
跨接件Jumper		
位数Poles No.		订货号Order NO.
2		302302
3		302303
4		302304
...	
9		302309
10		302310
安全警告标记 Protective Warning Marker		订货号Order NO.
		*
正面标记和侧面标记Front And Side Marker		订货号Order NO.
可提供印字服务Printing Service		316801



1.5mm² UK接地端子
UK Ground Terminal Block

2.5mm² UK接地端子
UK Ground Terminal Block

4mm² UK接地端子
UK Ground Terminal Block

6mm² UK接地端子
UK Ground Terminal Block

10mm² UK接地端子
UK Ground Terminal Block

尺寸Size	
注: 安装NS35/7.5导轨后的高度 Note: Height With DIN Rail NS 35/7.5	[mm]
额定参数Rated Parameters	
额定电压Rated Voltage	[V]
额定电流Rated Current	[A]
接线容量Wire Range	
	[mm ²]
	[AWG]
螺钉类型Screw Type	[*]
扭矩Torque	[N.m]
其余参数Other Parameters	
绝缘材料/阻燃等级, 符合UL94 Insulating Material / Flame Retardant Grade, Conforming To UL94	
剥线长度Strip length	[mm]

技术参数Technical Parameter		
厚度Thickness	宽度Width	高度Height
6.1	42.9	41.85
IEC	UL	
*	*	
*	*	
刚性Solid	柔性Fine Stranded	带冷压头Furrule
0.2-4	0.2-2.5	0.25-2.5
30-12	30-12	30-12
M3		
0.6-0.8		
V0		
7-8		

技术参数Technical Parameter		
厚度Thickness	宽度Width	高度Height
5.1	42.9	47.25
IEC	UL	
*	*	
*	*	
刚性Solid	柔性Fine Stranded	带冷压头Furrule
0.2-4	0.2-2.5	0.2-2.5
28-12	28-12	28-12
M3		
0.6-0.8		
V0		
8-9		

技术参数Technical Parameter		
厚度Thickness	宽度Width	高度Height
6.1	42.9	47.2
IEC	UL	
*	*	
*	*	
刚性Solid	柔性Fine Stranded	带冷压头Furrule
0.2-6	0.2-4	0.25-2.5
30-10	30-10	30-10
M3		
0.6-0.8		
V0		
8-9		

技术参数Technical Parameter		
厚度Thickness	宽度Width	高度Height
8.1	42.9	47.2
IEC	UL	
*	*	
*	*	
刚性Solid	柔性Fine Stranded	带冷压头Furrule
0.2-10	0.2-6	0.25-6
26-8	26-8	26-8
M4		
1.2-1.5		
V0		
10-11		

技术参数Technical Parameter		
厚度Thickness	宽度Width	高度Height
10.2	42.8	47.2
IEC	UL	
*	*	
*	*	
刚性Solid	柔性Fine Stranded	带冷压头Furrule
0.5-16	0.5-10	0.5-6
24-6	24-6	24-6
M4		
1.2-1.5		
V0		
10-11		

产品Product	
颜色Colour	颜色Colour
适配NS 35/7.5导轨 Can Be Used For DIN Rail NS 35/7.5	*

订货信息Order Information	
订货号Order NO.	302903
*	*
*	*

订货信息Order Information	
订货号Order NO.	303903
*	*
*	*

订货信息Order Information	
订货号Order NO.	305903
*	*
*	*

订货信息Order Information	
订货号Order NO.	306903
*	*
*	*

订货信息Order Information	
订货号Order NO.	310903
*	*
*	*

配套附件Accessory	
端板Cover Plate	颜色Colour
端板Cover Plate	灰Gray
	橙Orange
隔板Intermediate Plate	灰Gray

配套附件Accessory	
订货号Order NO.	*
	*
	*
	302151

配套附件Accessory	
订货号Order NO.	*
	*
	302151

配套附件Accessory	
订货号Order NO.	*
	*
	302151

配套附件Accessory	
订货号Order NO.	*
	*
	302151

配套附件Accessory	
订货号Order NO.	*
	*
	302151

跨接件Jumper	
位数Poles No.	
2	*
3	*
4	*
...
9	*
10	*

跨接件Jumper	
订货号Order NO.	*
	*
	*
	*
	*
	*

跨接件Jumper	
订货号Order NO.	*
	*
	*
	*
	*
	*

跨接件Jumper	
订货号Order NO.	*
	*
	*
	*
	*
	*

跨接件Jumper	
订货号Order NO.	306701
	*
	*
	*
	*
	*

跨接件Jumper	
订货号Order NO.	310701
	*
	*
	*
	*
	*

安全警告标记 Protective Warning Marker	
订货号Order NO.	*

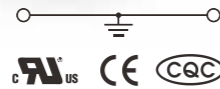
安全警告标记 Protective Warning Marker	
订货号Order NO.	306801

安全警告标记 Protective Warning Marker	
订货号Order NO.	305801

安全警告标记 Protective Warning Marker	
订货号Order NO.	306801

安全警告标记 Protective Warning Marker	
订货号Order NO.	308801

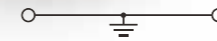
安全警告标记 Protective Warning Marker	
订货号Order NO.	310801



16mm² UK接地端子
UK Ground Terminal Block



35mm² UK接地端子
UK Ground Terminal Block



50mm² UK接地端子
UK Ground Terminal Block

尺寸Size	
注: 安装NS35/7.5导轨后的高度 Note: Height With DIN Rail NS 35/7.5	[mm]
额定参数Rated Parameters	
额定电压Rated Voltage	[V]
额定电流Rated Current	[A]
接线容量Wire Range	
	[mm ²]
	[AWG]
螺钉类型Screw Type	[*]
扭矩Torque	[N.m]
其余参数Other Parameters	
绝缘材料/阻燃等级, 符合UL94 Insulating Material / Flame Retardant Grade, Conforming To UL94	
剥线长度Strip length	[mm]
产品Product	
颜色Colour	黄绿Yellow green
适配NS 35/7.5导轨 Can Be Used For DIN Rail NS 35/7.5	*
端板Cover Plate	
颜色Colour	灰Gray
	橙Orange
隔板Intermediate Plate	灰Gray
跨接件Jumper	
位数Poles No.	
2	*
3	*
4	*
...
9	*
10	*
安全警告标记 Protective Warning Marker	
正面标记和侧面标记Front And Side Marker	
可提供印字服务Printing Service	

技术参数Technical Parameter		
厚度Thickness	宽度Width	高度Height
12	43	54.3
IEC	UL	
*	*	
*	*	
刚性Solid	柔性Fine Stranded	带冷压头Furrule
2.5-25	4-16	1.5-16
22-4	22-4	22-4
M4		
1.2-1.5		
V0		
11-12		

订货信息Order Information	
订货号Order NO.	316903
*	*
*	*

配套附件Accessory	
订货号Order NO.	*
	*
302151	

订货号Order NO.	*
	*
	*
	*
	*
	*

订货号Order NO.	316701
订货号Order NO.	312801

技术参数Technical Parameter		
厚度Thickness	宽度Width	高度Height
15	50.4	62.45
IEC	UL	
*	*	
*	*	
刚性Solid	柔性Fine Stranded	带冷压头Furrule
0.75-50	0.75-35	0.75-35
18-1/0	18-1/0	18-1/0
M6		
3.0-3.5		
V0		
15-16		

订货信息Order Information	
订货号Order NO.	335903
*	*
*	*

配套附件Accessory	
订货号Order NO.	*
	*
302151	

订货号Order NO.	*
	*
	*
	*
	*
	*

订货号Order NO.	315801
--------------	--------

技术参数Technical Parameter		
厚度Thickness	宽度Width	高度Height
20	70.7	76.2
IEC	UL	
*	*	
*	*	
刚性Solid	柔性Fine Stranded	带冷压头Furrule
16-70	25-70	25-50
6-2/0	6-2/0	6-2/0
V0		

订货信息Order Information	
订货号Order NO.	350903
*	*
*	*

配套附件Accessory	
订货号Order NO.	*
	*
	*

订货号Order NO.	*
	*
	*
	*
	*
	*

订货号Order NO.	310801
--------------	--------



2.5mm² SUK接线端子
SUK Terminal Block



4mm² SUK接线端子
SUK Terminal Block



6mm² SUK接线端子
SUK Terminal Block



10mm² SUK接线端子
SUK Terminal Block



16mm² SUK接线端子
SUK Terminal Block

尺寸Size	
注: 安装NS35/7.5导轨后的高度 Note: Height With DIN Rail NS 35/7.5	[mm]
额定参数Rated Parameters	
额定电压Rated Voltage	[V]
额定电流Rated Current	[A]
接线容量Wire Range	
	[mm ²]
	[AWG]
螺钉类型Screw Type	[*]
扭矩Torque	[N.m]
其余参数Other Parameters	
绝缘材料/阻燃等级, 符合UL94 Insulating Material / Flame Retardant Grade, Conforming To UL94	
剥线长度Strip length	[mm]

技术参数Technical Parameter		
厚度Thickness	宽度Width	高度Height
6.1	42.2	42
IEC	UL	
800	300	
24	20	
刚性Solid	柔性Fine Stranded	带冷压头Furrule
0.2-4	0.2-2.5	0.25-2.5
30-12	30-12	30-12
M3		
0.6-0.8		
V0		
8-9		

技术参数Technical Parameter		
厚度Thickness	宽度Width	高度Height
5.1	42.2	46.8
IEC	UL	
800	600	
24	20	
刚性Solid	柔性Fine Stranded	带冷压头Furrule
0.2-4	0.2-2.5	0.2-2.5
28-12	28-12	28-12
M3		
0.6-0.8		
V0		
8-9		

技术参数Technical Parameter		
厚度Thickness	宽度Width	高度Height
6	42.2	46.8
IEC	UL	
800	600	
32	30	
刚性Solid	柔性Fine Stranded	带冷压头Furrule
0.2-6	0.2-4	0.25-4
30-10	30-10	30-10
M3		
0.6-0.8		
V0		
8-9		

技术参数Technical Parameter		
厚度Thickness	宽度Width	高度Height
8.1	42.2	46.8
IEC	UL	
800	600	
41	50	
刚性Solid	柔性Fine Stranded	带冷压头Furrule
0.2-10	0.2-6	0.25-6
26-8	26-8	26-8
M4		
1.2-1.5		
V0		
10-11		

技术参数Technical Parameter		
厚度Thickness	宽度Width	高度Height
10	42.2	46.8
IEC	UL	
800	600	
57	65	
刚性Solid	柔性Fine Stranded	带冷压头Furrule
1.5-16	1.5-10	1.5-6
16-6	16-6	16-6
M4		
1.2-1.5		
V0		
10-11		

产品Product		颜色Colour
适配NS 35/7.5导轨 Can Be Used For DIN Rail NS 35/7.5		灰Gray
		橙Orange
		蓝Blue
端板Cover Plate		颜色Colour
端板Cover Plate		灰Gray
		橙Orange
隔板Intermediate Plate		灰Gray
跨接件Jumper		
位数Poles No.		
2		
3		
4		
...		
9		
10		
安全警告标记 Protective Warning Marker		
正面标记和侧面标记Front And Side Marker		
可提供印字服务Printing Service		

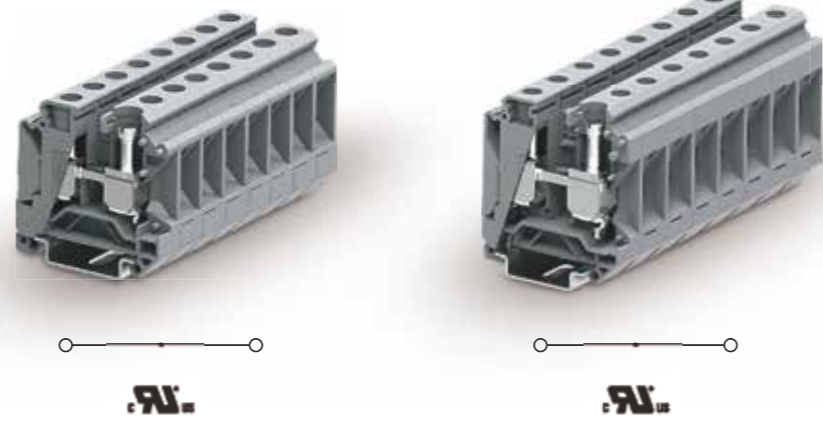
订货信息Order Information	
订货号Order NO.	
302991	
302994	
302992	
配套附件Accessory	
订货号Order NO.	
302101	
302102	
*	
订货号Order NO.	
302302	
302303	
302304	
.....	
302309	
302310	
订货号Order NO.	
*	
订货号Order NO.	
306801	

订货信息Order Information	
订货号Order NO.	
303991	
303994	
303992	
配套附件Accessory	
订货号Order NO.	
303101	
303102	
302151	
订货号Order NO.	
303302	
303303	
303304	
.....	
303309	
303310	
订货号Order NO.	
*	
订货号Order NO.	
305801	

订货信息Order Information	
订货号Order NO.	
305991	
305994	
305992	
配套附件Accessory	
订货号Order NO.	
303101	
303102	
302151	
订货号Order NO.	
306302	
306303	
306304	
.....	
306309	
306310	
订货号Order NO.	
*	
订货号Order NO.	
306801	

订货信息Order Information	
订货号Order NO.	
306991	
306994	
306992	
配套附件Accessory	
订货号Order NO.	
303101	
303102	
302151	
订货号Order NO.	
306701	
308801	

订货信息Order Information	
订货号Order NO.	
310991	
310994	
310992	
配套附件Accessory	
订货号Order NO.	
303101	
303102	
302151	
订货号Order NO.	
310302	
310303	
310304	
.....	
310309	
310310	
订货号Order NO.	
*	
订货号Order NO.	
310801	



16mm² SUK接线端子
SUK Terminal Block

35mm² SUK接线端子
SUK Terminal Block

尺寸Size	
注: 安装NS35/7.5导轨后的高度 Note: Height With DIN Rail NS 35/7.5	[mm]
额定参数Rated Parameters	
额定电压Rated Voltage	[V]
额定电流Rated Current	[A]
接线容量Wire Range	
	[mm ²]
	[AWG]
螺钉类型Screw Type	[*]
扭矩Torque	[N.m]
其余参数Other Parameters	
绝缘材料/阻燃等级, 符合UL94 Insulating Material / Flame Retardant Grade, Conforming To UL94	
剥线长度Strip length	[mm]

技术参数Technical Parameter		
厚度Thickness	宽度Width	高度Height
12.2	50.5	50.8
IEC	UL	
800	600	
76	85	
刚性Solid	柔性Fine Stranded	带冷压头Furrule
6-16	6-16	6-16
10-4	10-4	10-4
M5		
2.0-2.5		
V0		
12-13		

技术参数Technical Parameter		
厚度Thickness	宽度Width	高度Height
16	53.5	62.5
IEC	UL	
1000	600	
125	150	
刚性Solid	柔性Fine Stranded	带冷压头Furrule
10-35	10-35	10-35
8-1/0	8-1/0	8-1/0
M6		
3.0-3.5		
V0		
16-17		

产品Product		颜色Colour
适配NS 35/7.5导轨 Can Be Used For DIN Rail NS 35/7.5		灰Gray
		橙Orange
		蓝Blue

订货信息Order Information	
订货号Order NO.	
316991	
316994	
316992	

订货信息Order Information	
订货号Order NO.	
335991	
335994	
335992	

端板Cover Plate		颜色Colour
端板Cover Plate		灰Gray
		橙Orange
隔板Intermediate Plate		灰Gray

配套附件Accessory	
订货号Order NO.	
*	
*	
302151	

配套附件Accessory	
订货号Order NO.	
*	
*	
302151	

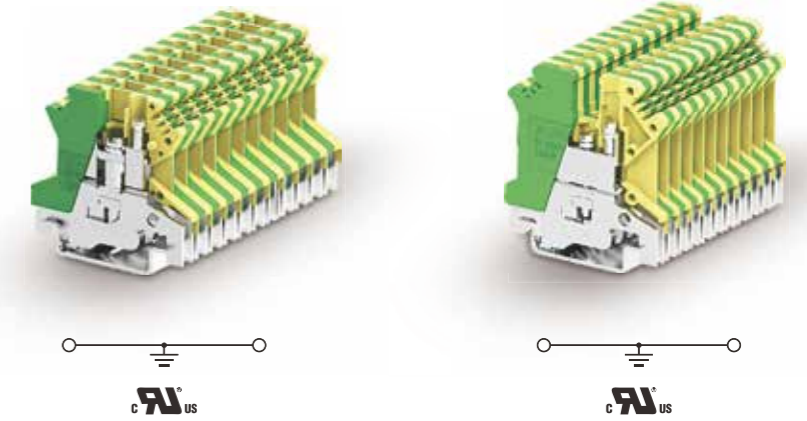
跨接件Jumper	
位数Poles No.	
2	316302
3	316303
4	316304
...
9	316309
10	316310

跨接件Jumper	
位数Poles No.	
2	335302
3	*
4	*
...	*
9	*
10	*

安全警告标记 Protective Warning Marker	
安全警告标记 Protective Warning Marker	订货号Order NO.
	316701
正面标记和侧面标记 Front And Side Marker	订货号Order NO.
可提供印字服务 Printing Service	310801

安全警告标记 Protective Warning Marker	
安全警告标记 Protective Warning Marker	订货号Order NO.
	*
正面标记和侧面标记 Front And Side Marker	订货号Order NO.
可提供印字服务 Printing Service	310801

安全警告标记 Protective Warning Marker	
安全警告标记 Protective Warning Marker	订货号Order NO.
	*
正面标记和侧面标记 Front And Side Marker	订货号Order NO.
可提供印字服务 Printing Service	310801



2.5mm² SUK接地端子
SUK Ground Terminal Block

2.5mm² SUK接地端子
SUK Ground Terminal Block

尺寸Size	
注: 安装NS35/7.5导轨后的高度 Note: Height With DIN Rail NS 35/7.5	[mm]
额定参数Rated Parameters	
额定电压Rated Voltage	[V]
额定电流Rated Current	[A]
接线容量Wire Range	
	[mm ²]
	[AWG]
螺钉类型Screw Type	[*]
扭矩Torque	[N.m]
其余参数Other Parameters	
绝缘材料/阻燃等级, 符合UL94 Insulating Material / Flame Retardant Grade, Conforming To UL94	
剥线长度Strip length	[mm]

技术参数Technical Parameter		
厚度Thickness	宽度Width	高度Height
6.1	42.9	41.85
IEC	UL	
*	*	
*	*	
刚性Solid	柔性Fine Stranded	带冷压头Furrule
0.2-4	0.2-2.5	0.25-2.5
30-12	30-12	30-12
M3		
0.6-0.8		
V0		
7-8		

技术参数Technical Parameter		
厚度Thickness	宽度Width	高度Height
5.1	42.9	47.25
IEC	UL	
*	*	
*	*	
刚性Solid	柔性Fine Stranded	带冷压头Furrule
0.2-4	0.2-2.5	0.25-2.5
28-12	28-12	28-12
M3		
0.6-0.8		
V0		
8-9		

产品Product		颜色Colour
适配NS 35/7.5导轨 Can Be Used For DIN Rail NS 35/7.5		黄绿Yellow green
		*
		*

订货信息Order Information	
订货号Order NO.	
302993	
*	
*	

订货信息Order Information	
订货号Order NO.	
303993	
*	
*	

端板Cover Plate		颜色Colour
端板Cover Plate		灰Gray
		橙Orange
隔板Intermediate Plate		灰Gray

配套附件Accessory	
订货号Order NO.	
*	
*	
*	
302151	

配套附件Accessory	
订货号Order NO.	
*	
*	
*	
302151	

跨接件Jumper	
位数Poles No.	
2	*
3	*
4	*
...
9	*
10	*

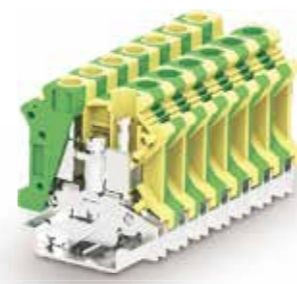
跨接件Jumper	
位数Poles No.	
2	*
3	*
4	*
...
9	*
10	*

跨接件Jumper	
位数Poles No.	
2	*
3	*
4	*
...
9	*
10	*

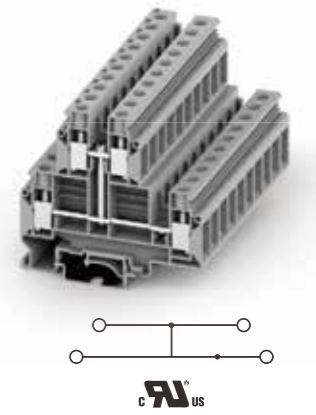
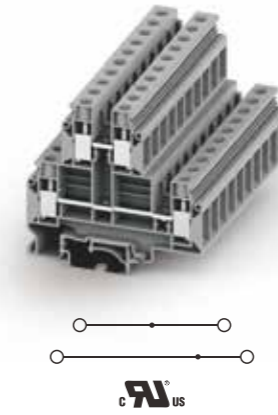
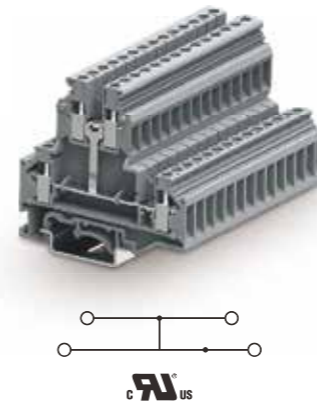
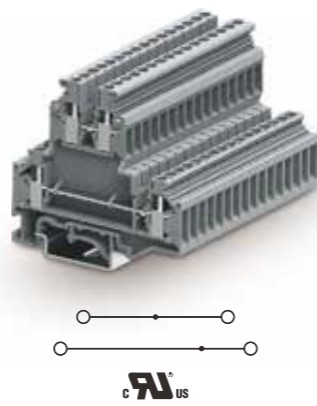
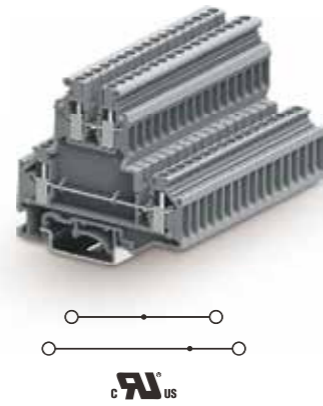
安全警告标记 Protective Warning Marker	
安全警告标记 Protective Warning Marker	订货号Order NO.
	*
正面标记和侧面标记 Front And Side Marker	订货号Order NO.
可提供印字服务 Printing Service	310801

安全警告标记 Protective Warning Marker	
安全警告标记 Protective Warning Marker	订货号Order NO.
	*
正面标记和侧面标记 Front And Side Marker	订货号Order NO.
可提供印字服务 Printing Service	310801

安全警告标记 Protective Warning Marker	
安全警告标记 Protective Warning Marker	订货号Order NO.
	*
正面标记和侧面标记 Front And Side Marker	订货号Order NO.
可提供印字服务 Printing Service	310801



	4mm ² SUK接地端子 SUK Ground Terminal Block	6mm ² SUK接地端子 SUK Ground Terminal Block	10mm ² SUK接地端子 SUK Ground Terminal Block	16mm ² SUK接地端子 SUK Ground Terminal Block	35mm ² SUK接地端子 SUK Ground Terminal Block	
	技术参数Technical Parameter		技术参数Technical Parameter		技术参数Technical Parameter	
尺寸Size	厚度Thickness	宽度Width	高度Height	厚度Thickness	宽度Width	高度Height
注: 安装NS35/7.5导轨后的高度 Note: Height With DIN Rail NS 35/7.5	6.1	42.9	47.2	8.1	42.9	47.2
额定参数Rated Parameters	IEC	UL		IEC	UL	
额定电压Rated Voltage	*	*		*	*	
额定电流Rated Current	*	*		*	*	
接线容量Wire Range	刚性Solid	柔性Fine Stranded	带冷压头Furrule	刚性Solid	柔性Fine Stranded	带冷压头Furrule
[mm ²]	0.2-6	0.2-4	0.25-2.5	0.2-10	0.2-6	0.25-6
[AWG]	30-10	30-10	30-10	26-8	26-8	26-8
螺钉类型Screw Type	M3		M4		M6	
扭矩Torque	0.6-0.8		1.2-1.5		3.0-3.5	
其余参数Other Parameters	V0		V0		V0	
绝缘材料/阻燃等级, 符合UL94 Insulating Material / Flame Retardant Grade, Conforming To UL94	8-9		10-11		16-17	
剥线长度Strip length	8-9		10-11		16-17	
	订货信息Order Information		订货信息Order Information		订货信息Order Information	
产品Product	颜色Colour		颜色Colour		颜色Colour	
适配NS 35/7.5导轨 Can Be Used For DIN Rail NS 35/7.5	黄绿Yellow green		黄绿Yellow green		黄绿Yellow green	
	订货号Order NO.		订货号Order NO.		订货号Order NO.	
	305993		306993		335993	
	*		*		*	
	*		*		*	
	*		*		*	
	配套附件Accessory		配套附件Accessory		配套附件Accessory	
端板Cover Plate	颜色Colour		颜色Colour		颜色Colour	
端板Cover Plate	灰Gray		灰Gray		灰Gray	
	*		*		*	
	橙Orange		橙Orange		橙Orange	
	*		*		*	
隔板Intermediate Plate	灰Gray		灰Gray		灰Gray	
	302151		302151		302151	
跨接件Jumper						
位数Poles No.	订货号Order NO.		订货号Order NO.		订货号Order NO.	
2	*		*		*	
3	*		*		*	
4	*		*		*	
...	
9	*		*		*	
10	*		*		*	
安全警告标记 Protective Warning Marker	订货号Order NO.		订货号Order NO.		订货号Order NO.	
	*		306701		*	
正面标记和侧面标记Front And Side Marker	订货号Order NO.		订货号Order NO.		订货号Order NO.	
可提供印字服务Printing Service	306801		308801		310801	



尺寸Size	
注: 安装NS35/7.5导轨后的高度 Note: Height With DIN Rail NS 35/7.5	[mm]
额定参数Rated Parameters	
额定电压Rated Voltage	[V]
额定电流Rated Current	[A]
接线容量Wire Range	
	[mm ²]
	[AWG]
螺钉类型Screw Type	[*]
扭矩Torque	[N.m]
其余参数Other Parameters	
绝缘材料/阻燃等级, 符合UL94 Insulating Material / Flame Retardant Grade, Conforming To UL94	
剥线长度Strip length	[mm]

2.5mm ² UKD接线端子 UKD Double Lever Terminal Block			
技术参数Technical Parameter			
厚度Thickness	宽度Width	高度Height	
5.2	67.2	62.2	
IEC	UL		
500	600		
24	20		
刚性Solid	柔性Fine Stranded	带冷压头Furrule	
0.2-4	0.2-2.5	0.2-2.5	
28-12	28-12	28-12	
M3			
0.6-0.8			
V0			
8-9			

4mm ² UKD接线端子 UKD Double Level Terminal Block			
技术参数Technical Parameter			
厚度Thickness	宽度Width	高度Height	
6.2	67.2	62.2	
IEC	UL		
500	600		
32	30		
刚性Solid	柔性Fine Stranded	带冷压头Furrule	
0.2-4	0.2-4	0.25-4	
26-10	26-10	26-10	
M3			
0.6-0.8			
V0			
8-9			

4mm ² UKD上下导通接线端子 UKD Double Level with Equipotential Bonding Terminal Block			
技术参数Technical Parameter			
厚度Thickness	宽度Width	高度Height	
6.2	67.2	62.2	
IEC	UL		
500	600		
32	30		
刚性Solid	柔性Fine Stranded	带冷压头Furrule	
0.2-4	0.2-4	0.25-4	
26-10	26-10	26-10	
M3			
0.6-0.8			
V0			
8-9			

10mm ² UKD接线端子 UKD Double Level Terminal Block			
技术参数Technical Parameter			
厚度Thickness	宽度Width	高度Height	
10.2	77.5	73	
IEC	UL		
500	600		
57	65		
刚性Solid	柔性Fine Stranded	带冷压头Furrule	
0.5-10	0.5-10	0.5-10	
24-6	24-6	24-6	
M4			
1.2-1.5			
V0			
11-12			

10mm ² UKD上下导通接线端子 UKD Double Level with Equipotential Bonding Terminal Block			
技术参数Technical Parameter			
厚度Thickness	宽度Width	高度Height	
10.2	77.5	73	
IEC	UL		
500	600		
57	65		
刚性Solid	柔性Fine Stranded	带冷压头Furrule	
0.5-10	0.5-10	0.5-10	
24-6	24-6	24-6	
M4			
1.2-1.5			
V0			
11-12			

产品Product		颜色Colour
适配NS 35/7.5导轨 Can Be Used For DIN Rail NS 35/7.5		灰Gray 蓝Blue
端板Cover Plate		颜色Colour
端板Cover Plate		灰Gray 橙Orange
隔板Intermediate Plate		灰Gray
补偿盖板 Compensatory Cover Plate		灰Gray
跨接件Jumper		
位数Poles No.		
2		
3		
4		
...		
9		
10		
安全警告标记 Protective Warning Marker		
正面标记和侧面标记Front And Side Marker		
可提供印字服务Printing Service		

订货信息Order Information		
订货号Order NO.		
303921		
303922		
配套附件Accessory		
订货号Order NO.		
303121		
*		
*		
305121		
跨接件Jumper		
订货号Order NO.		
303302		
303303		
303304		
.....		
303309		
303310		
安全警告标记		
订货号Order NO.		
*		
正面标记和侧面标记		
订货号Order NO.		
305801		

订货信息Order Information		
订货号Order NO.		
305921		
305922		
配套附件Accessory		
订货号Order NO.		
303121		
*		
*		
302151		
*		
跨接件Jumper		
订货号Order NO.		
302302		
302303		
302304		
.....		
302309		
302310		
安全警告标记		
订货号Order NO.		
*		
正面标记和侧面标记		
订货号Order NO.		
306801		

订货信息Order Information		
订货号Order NO.		
305921-PV		
*		
配套附件Accessory		
订货号Order NO.		
303121		
*		
302151		
*		
跨接件Jumper		
订货号Order NO.		
302302		
302303		
302304		
.....		
302309		
302310		
安全警告标记		
订货号Order NO.		
*		
正面标记和侧面标记		
订货号Order NO.		
306801		

订货信息Order Information		
订货号Order NO.		
310921		
*		
配套附件Accessory		
订货号Order NO.		
310121		
*		
*		
*		
跨接件Jumper		
订货号Order NO.		
310302		
310303		
310304		
.....		
310309		
310310		
安全警告标记		
订货号Order NO.		
*		
正面标记和侧面标记		
订货号Order NO.		
310801		

订货信息Order Information		
订货号Order NO.		
310921-PV		
*		
配套附件Accessory		
订货号Order NO.		
310121		
*		
*		
*		
跨接件Jumper		
订货号Order NO.		
310302		
310303		
310304		
.....		
310309		
310310		
安全警告标记		
订货号Order NO.		
*		
正面标记和侧面标记		
订货号Order NO.		
310801		



不提供保险管, 图片只供参考使用
No fuse is provided. The picture is for reference only

尺寸Size	
注: 安装NS35/7.5导轨后的高度 Note: Height With DIN Rail NS 35/7.5	[mm]
额定参数Rated Parameters	
额定电压Rated Voltage	[V]
额定电流Rated Current	[A]
接线容量Wire Range	
	[mm ²]
	[AWG]
螺钉类型Screw Type	[*]
扭矩Torque	[N.m]
其余参数Other Parameters	
绝缘材料/阻燃等级, 符合UL94 Insulating Material / Flame Retardant Grade, Conforming To UL94	
剥线长度Strip length	[mm]
产品Product	
颜色Colour	
适配NS 35/7.5导轨 Can Be Used For DIN Rail NS 35/7.5	灰Gray 蓝Blue
端板Cover Plate	
颜色Colour	
端板Cover Plate	灰Gray 橙Orange
隔板Intermediate Plate	灰Gray
补偿盖板 Compensatory Cover Plate	灰Gray
跨接件Jumper	
位数Poles No.	
2	
3	
4	
...	
9	
10	
安全警告标记 Protective Warning Marker	
正面标记和侧面标记Front And Side Marker	
可提供印字服务Printing Service	

6mm ² 普通分断测试连接器 General test terminal block		
技术参数Technical Parameter		
厚度Thickness	宽度Width	高度Height
8.2	72.4	50.6
IEC	UL	
630	300	
41	50	
刚性Solid	柔性Fine Stranded	带冷压头Furrule
0.5-10	0.5-6	0.5-6
26-8	26-8	26-8
M4		
1.2-1.6		
V0		
13-14		

订货信息Order Information	
订货号Order NO.	SUK6-T-GY
	*
配套附件Accessory	
订货号Order NO.	306101
	*
306151	306151
	*
跨接件Jumper	
订货号Order NO.	
	*
	*
	*
	*
	*
	*
	*
安全警告标记 Protective Warning Marker	
订货号Order NO.	*
正面标记和侧面标记Front And Side Marker	
订货号Order NO.	308801

6mm ² 带导电柱分断测试连接器 Test terminal block with conductive column		
技术参数Technical Parameter		
厚度Thickness	宽度Width	高度Height
8.2	72.4	50.6
IEC	UL	
630	300	
41	50	
刚性Solid	柔性Fine Stranded	带冷压头Furrule
0.5-10	0.5-6	0.5-6
26-8	26-8	26-8
M4		
1.2-1.6		
V0		
13-14		

订货信息Order Information	
订货号Order NO.	SUK6-T-JP-GY
	*
配套附件Accessory	
订货号Order NO.	306101
	*
306151	306151
	*
跨接件Jumper	
订货号Order NO.	
	*
SB8.2-2	SB8.2-10
安全警告标记 Protective Warning Marker	
订货号Order NO.	*
正面标记和侧面标记Front And Side Marker	
订货号Order NO.	308801

6mm ² URTK/S分断测试端子 URTK/S General Test Terminal Block		
技术参数Technical Parameter		
厚度Thickness	宽度Width	高度Height
8.2	72.4	51.7
IEC	UL	
400	300	
41	50	
刚性Solid	柔性Fine Stranded	带冷压头Furrule
0.5-10	0.5-6	0.5-4
26-8	26-8	26-8
M4		
1.2-1.5		
V0		
13-14		

订货信息Order Information	
订货号Order NO.	306911
	*
配套附件Accessory	
订货号Order NO.	306101
	*
306151	306151
	*
跨接件Jumper	
订货号Order NO.	
	*
306322	306320
安全警告标记 Protective Warning Marker	
订货号Order NO.	*
正面标记和侧面标记Front And Side Marker	
订货号Order NO.	308801

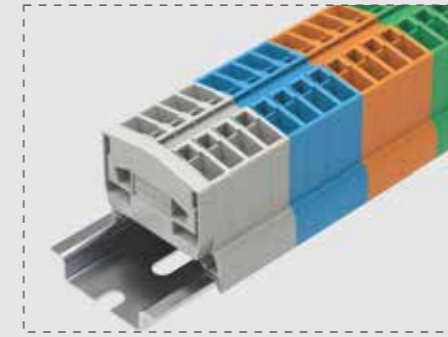
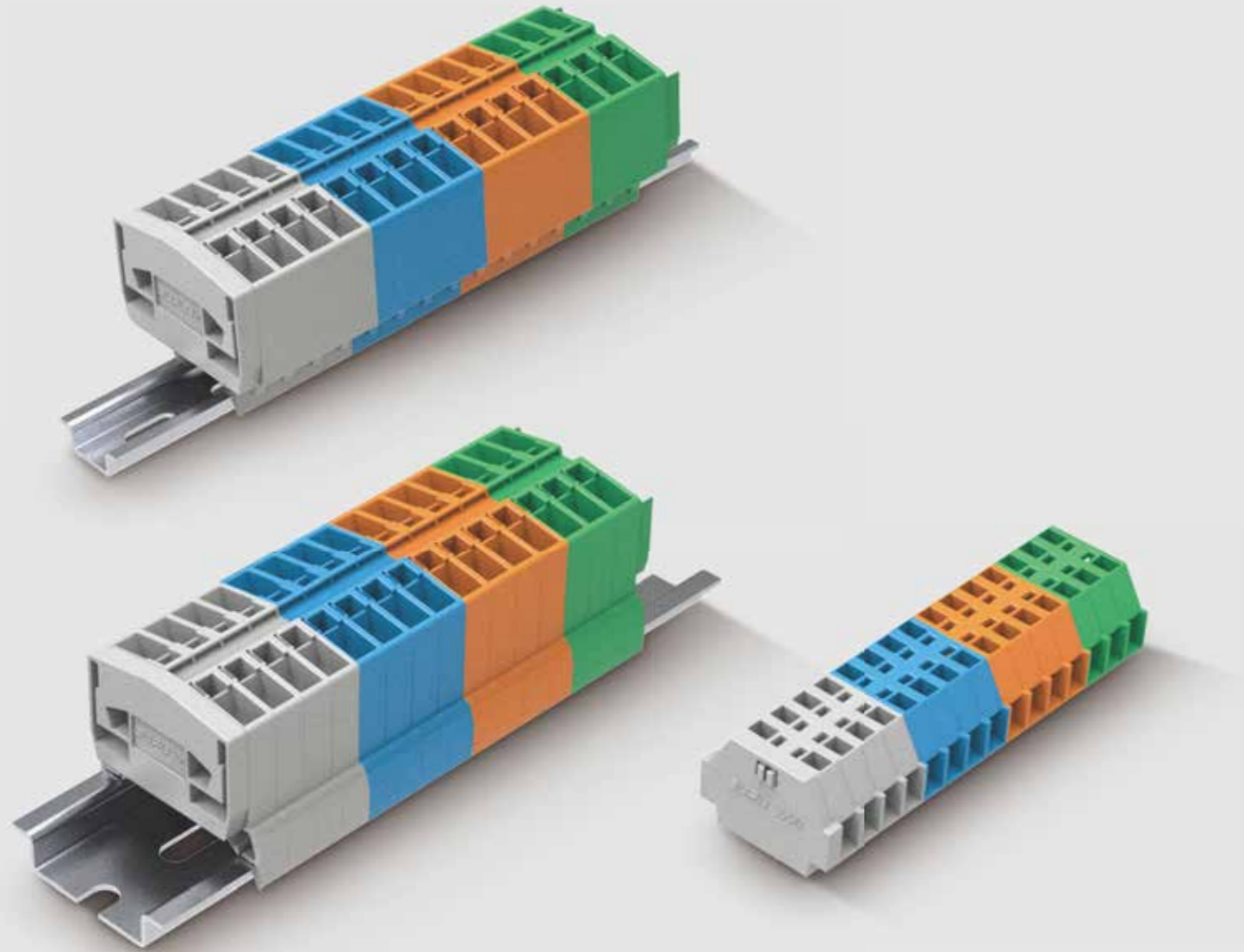
4mm ² UK5/HESI(带保险管) UK5/HESI Terminal Block With Fuse		
技术参数Technical Parameter		
厚度Thickness	宽度Width	高度Height
8	72.6	50.4
IEC	UL	
500	600	
6.3	12	
刚性Solid	柔性Fine Stranded	带冷压头Furrule
0.2-4	0.2-4	0.25-4
26-10	26-10	26-10
M3		
0.6-0.8		
V0		
8-9		
订货信息Order Information		
订货号Order NO.	灰Gray 305972	
	黑Black 305971	
配套附件Accessory		
订货号Order NO.		
	*	
	*	
	*	
	*	
跨接件Jumper		
订货号Order NO.		
	*	
	*	
	*	
	
	*	
	*	
安全警告标记 Protective Warning Marker		
订货号Order NO.	*	
正面标记和侧面标记Front And Side Marker		
订货号Order NO.	308801	

TB系列微型弹簧接线端子

TB Rail-mounted Terminal Blocks With Spring-cage Clamp

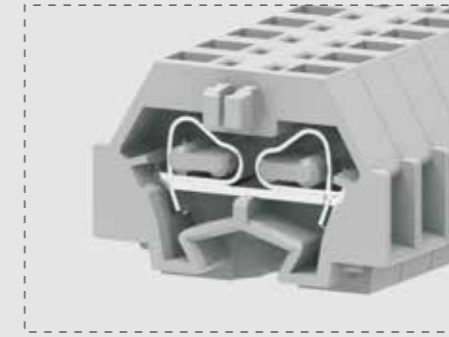
TB系列微型弹簧接线端子采用笼式弹簧接线技术，产品精巧，拼装灵活。能够满足客户更加苛刻的使用空间要求。提供了螺钉固定、销钉固定、小导轨卡接固定、大导轨卡接固定和组合固定等多种固定方式，便于客户将产品固定在各种各样的使用空间中。产品设计制造符合IEC/EN60947、UL1059等国际标准，并通过TUV、CE、CQC、UL、CB认证。

TB series rail-mounted spring cage clamp terminal blocks use spring cage connection technology. The product is compact and can be flexible assembled. Can meet customer requirement for the space saving, fixing ways can be with screws, with snap-in mounting feet, on small Din rail, on big Din rail or certain combination ways. Product design and manufacturing is in line with the international standard IEC60947, UL1059, UL486E. and have the certificates CQC, UL, VDE, CE, ROHS etc.



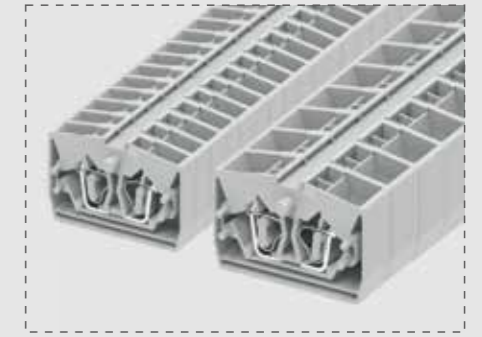
小型化 Miniaturization

- ▲ 小型的体积满足客户的特殊需求，可适用于小型电机和小电源的接线、布线
- ▲ The compacted space can reach customers' special demand, especially used for mini motor, low current wire connections.



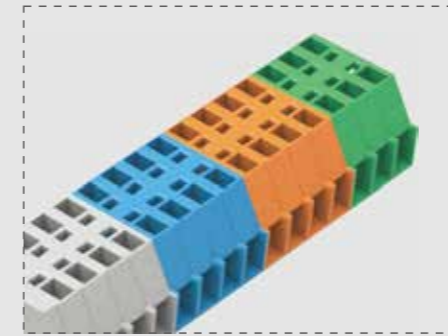
连接方式 Connection Method

- ▲ 通过榫头接合相互卡接形成端子条
- ▲ By section and slot, the terminal blocks can be formed into decked.



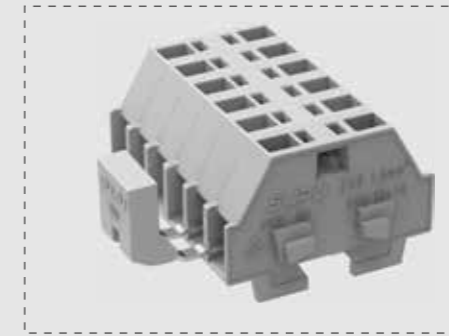
接线 Wiring

- ▲ 具有一进一出和两进两出两种接线方式
- ▲ 1-1 or 2-2 feed through connection option.



颜色 Color

- ▲ 具有多种颜色可供选择，满足多样化的线路布线
- ▲ Different colors are optional for customers' special requirements.



跨接系统 Jumper System

- ▲ 相邻跨接桥可桥接相邻的端子
- ▲ Jumper can get the adjacent terminal blocks connected.



导轨 DIN Rail

- ▲ 拥有两种规格卡脚，可安装至TS15或TS35两种导轨上
- ▲ 2 kinds of fixing feet where can connect to the TS15 or TS35 din rail.



按键 Press Button

- ▲ 按键可以直接方便导线的安装
- ▲ It's easy to connect the wires by press buttons.



端板 End cover

- ▲ 具有带固定器、带销钉多种固定方式的端板
- ▲ The plate can have fixing flanges or snap-in mounting feet.

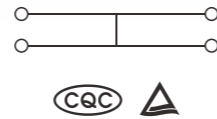


固定支架 Fixed Support

- ▲ 可将端子通过固定支架安装到导轨上
- ▲ The terminal blocks can be assembled to din rails through fixed support.



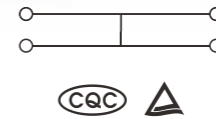
240系列一进一出带固定器侧面接线端子
240 Series 1-1 Feed Through Terminal Block With Fixing Flanges of Side-entry



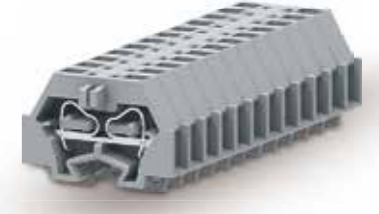
240系列两进两出带固定器侧面接线端子
240 Series 2-2 Feed Through Terminal Block With Fixing Flanges of Side-entry



240系列一进一出带销钉侧面接线端子
240 Series 1-1 Feed Through Terminal Block With Snap-in Mounting Feet of Side-entry



240系列两进两出带销钉侧面接线端子
240 Series 2-2 Feed Through Terminal Block With Snap-in Mounting Feet of Side-entry



240系列一进一出侧面接线终端用端子
240 Series 1-1 Feed Through End Terminal Block With Snap-in Mounting Feet of Side-entry

尺寸Size		[mm]	
厚度Thickness	8	宽度Width	25.1
高度Height	17.2		
额定参数Rated Parameters		IEC	UL
额定电压Rated Voltage	[V]	400	300
额定电流Rated Current	[A]	18	10
接线容量Wire Range		刚性Solid	柔性Fine Stranded
	[mm ²]	0.2-1.5	0.2-1.5
	[AWG]	28-16	28-16
	带冷压头Furrule	0.2-1	
其余参数Other Parameters			
绝缘材料/阻燃等级, 符合UL94 Insulating Material / Flame Retardant Grade, Conforming To UL94		V0	
剥线长度Strip length	[mm]	8-9	
产品Product		颜色Colour	订货号Order NO.
适配NS 35/7.5号轨 Can Be Used For DIN Rail NS 35/7.5	灰Gray		240301
	橙Orange		240302
	白灰Light gray		240303
	蓝Blue		240304
	黄Yellow		240305
	绿Green		240306
	黄绿Yellow green		240307
	粉Pink		240309
端板Cover Plate		订货号Order NO.	订货号Order NO.
平板Plate	灰Gray	*	*
	橙Orange	*	*
带固定器With Fixing Flanges	灰Gray	240621	240621
	橙Orange	240622	240622
带销钉With Snap-in Mounting Feet	灰Gray	*	*
	橙Orange	*	*
按键Press Button	白White	*	*
固定支架Fixed Support	灰Gray	241019	241019
跨接件Jumper		订货号Order NO.	订货号Order NO.
位数Poles No.	颜色Colour	240601	240601
2	灰Gray		

技术参数Technical Parameter		
厚度Thickness	宽度Width	高度Height
8	25.1	17.2
IEC	UL	
400	300	
18	10	
刚性Solid	柔性Fine Stranded	带冷压头Furrule
0.2-1.5	0.2-1.5	0.2-1
28-16	28-16	28-16
V0		
8-9		
订货信息Order Information		
订货号Order NO.		
240301		
240302		
240303		
240304		
240305		
240306		
240307		
240309		
配套附件Accessory		
订货号Order NO.		
*		
*		
240621		
240622		
*		
*		
*		
241019		
订货号Order NO.		
240601		

技术参数Technical Parameter		
厚度Thickness	宽度Width	高度Height
8	25.1	17.2
IEC	UL	
400	300	
18	10	
刚性Solid	柔性Fine Stranded	带冷压头Furrule
0.2-1.5	0.2-1.5	0.2-1
28-16	28-16	28-16
V0		
8-9		
订货信息Order Information		
订货号Order NO.		
240331		
240332		
240333		
240334		
240335		
240336		
240337		
240339		
配套附件Accessory		
订货号Order NO.		
*		
*		
240621		
240622		
*		
*		
*		
241019		
订货号Order NO.		
240601		

技术参数Technical Parameter		
厚度Thickness	宽度Width	高度Height
5	25.1	17.2
IEC	UL	
400	300	
18	10	
刚性Solid	柔性Fine Stranded	带冷压头Furrule
0.2-1.5	0.2-1.5	0.2-1
28-16	28-16	28-16
V0		
8-9		
订货信息Order Information		
订货号Order NO.		
240311		
240312		
240313		
240314		
240315		
240316		
240317		
240319		
配套附件Accessory		
订货号Order NO.		
240641		
240642		
*		
*		
240631		
240632		
*		
241019		
订货号Order NO.		
240601		

技术参数Technical Parameter		
厚度Thickness	宽度Width	高度Height
8	25.1	17.2
IEC	UL	
400	300	
18	10	
刚性Solid	柔性Fine Stranded	带冷压头Furrule
0.2-1.5	0.2-1.5	0.2-1
28-16	28-16	28-16
V0		
8-9		
订货信息Order Information		
订货号Order NO.		
240341		
240342		
240343		
240344		
240345		
240346		
240347		
240349		
配套附件Accessory		
订货号Order NO.		
240641		
240642		
*		
*		
240631		
240632		
*		
241019		
订货号Order NO.		
240601		

技术参数Technical Parameter		
厚度Thickness	宽度Width	高度Height
5	25.1	17.2
IEC	UL	
400	300	
18	10	
刚性Solid	柔性Fine Stranded	带冷压头Furrule
0.2-1.5	0.2-1.5	0.2-1
28-16	28-16	28-16
V0		
8-9		
订货信息Order Information		
订货号Order NO.		
240321		
240322		
240323		
240324		
240325		
240326		
240327		
240329		
配套附件Accessory		
订货号Order NO.		
240641		
240642		
*		
*		
240631		
240632		
*		
241019		
订货号Order NO.		
240601		



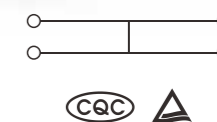
240系列两进两出侧面接线终端用端子
240 Series 2-2 Feed Through End Terminal Block
With Snap-in Mounting Feet of Side-entry

尺寸Size		技术参数Technical Parameter		
[mm]		厚度Thickness	宽度Width	高度Height
		8	25.1	17.2
额定参数Rated Parameters		IEC	UL	
额定电压Rated Voltage	[V]	400	300	
额定电流Rated Current	[A]	18	10	
接线容量Wire Range		刚性Solid	柔性Fine Stranded	带冷压头Furrule
[mm ²]		0.2-1.5	0.2-1.5	0.2-1
[AWG]		28-16	28-16	28-16
其余参数Other Parameters		绝缘材料/阻燃等级, 符合UL94 Insulating Material / Flame Retardant Grade, Conforming To UL94		
剥线长度Strip length	[mm]	8-9		
产品Product		颜色Colour		
适配NS 35/7.5导轨 Can Be Used For DIN Rail NS 35/7.5	灰Gray	240351		
	橙Orange	240352		
	白灰Light gray	240353		
	蓝Blue	240354		
	黄Yellow	240355		
	绿Green	240356		
	黄绿Yellow green	240357		
	粉Pink	240359		
订货信息Order Information		订货号Order NO.		
端板Cover Plate		订货号Order NO.		
平板Plate	灰Gray	240641		
	橙Orange	240642		
带固定器With Fixing Flanges	灰Gray	*		
	橙Orange	*		
带销钉 With Snap-in Mounting Feet	灰Gray	240631		
	橙Orange	240632		
按键Press Button	白White	*		
固定支架Fixed Support	灰Gray	241019		
跨接件Jumper		订货号Order NO.		
位数Poles No.	颜色Colour	订货号Order NO.		
2	灰Gray	240601		



241系列一进一出带固定器侧面接线端子
241 Series 1-1 Feed Through Terminal Block
With Fixing Flanges of Side-entry

尺寸Size		技术参数Technical Parameter		
[mm]		厚度Thickness	宽度Width	高度Height
		6	28.1	18
额定参数Rated Parameters		IEC	UL	
额定电压Rated Voltage	[V]	500	300	
额定电流Rated Current	[A]	24	15	
接线容量Wire Range		刚性Solid	柔性Fine Stranded	带冷压头Furrule
[mm ²]		0.2-2.5	0.2-2.5	0.2-1.5
[AWG]		28-14	28-14	28-14
其余参数Other Parameters		绝缘材料/阻燃等级, 符合UL94 Insulating Material / Flame Retardant Grade, Conforming To UL94		
剥线长度Strip length	[mm]	8-9		
产品Product		颜色Colour		
适配NS 35/7.5导轨 Can Be Used For DIN Rail NS 35/7.5	灰Gray	241301		
	橙Orange	241302		
	白灰Light gray	241303		
	蓝Blue	241304		
	黄Yellow	241305		
	绿Green	241306		
	黄绿Yellow green	241307		
	粉Pink	241309		
订货信息Order Information		订货号Order NO.		
端板Cover Plate		订货号Order NO.		
平板Plate	灰Gray	*		
	橙Orange	*		
带固定器With Fixing Flanges	灰Gray	241621		
	橙Orange	241622		
带销钉 With Snap-in Mounting Feet	灰Gray	*		
	橙Orange	*		
按键Press Button	白White	241221		
固定支架Fixed Support	灰Gray	241019		
跨接件Jumper		订货号Order NO.		
位数Poles No.	颜色Colour	订货号Order NO.		
2	灰Gray	241601		

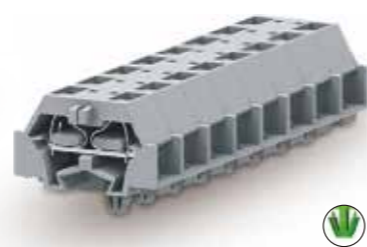


241系列两进两出带固定器侧面接线端子
241 Series 2-2 Feed Through Terminal Block
With Fixing Flanges of Side-entry

尺寸Size		技术参数Technical Parameter		
[mm]		厚度Thickness	宽度Width	高度Height
		10	28.1	18
额定参数Rated Parameters		IEC	UL	
额定电压Rated Voltage	[V]	500	300	
额定电流Rated Current	[A]	24	15	
接线容量Wire Range		刚性Solid	柔性Fine Stranded	带冷压头Furrule
[mm ²]		0.2-2.5	0.2-2.5	0.2-1.5
[AWG]		28-14	28-14	28-14
其余参数Other Parameters		绝缘材料/阻燃等级, 符合UL94 Insulating Material / Flame Retardant Grade, Conforming To UL94		
剥线长度Strip length	[mm]	8-9		
产品Product		颜色Colour		
适配NS 35/7.5导轨 Can Be Used For DIN Rail NS 35/7.5	灰Gray	241331		
	橙Orange	241332		
	白灰Light gray	241333		
	蓝Blue	241334		
	黄Yellow	241335		
	绿Green	241336		
	黄绿Yellow green	241337		
	粉Pink	241339		
订货信息Order Information		订货号Order NO.		
端板Cover Plate		订货号Order NO.		
平板Plate	灰Gray	*		
	橙Orange	*		
带固定器With Fixing Flanges	灰Gray	241621		
	橙Orange	241622		
带销钉 With Snap-in Mounting Feet	灰Gray	*		
	橙Orange	*		
按键Press Button	白White	241221		
固定支架Fixed Support	灰Gray	241019		
跨接件Jumper		订货号Order NO.		
位数Poles No.	颜色Colour	订货号Order NO.		
2	灰Gray	241601		



241系列一进一出带销钉侧面接线端子
241 Series 1-1 Feed Through Terminal Block
With Snap-in Mounting Feet of Side-entry



241系列两进两出带销钉侧面接线端子
241 Series 2-2 Feed Through Terminal Block
With Snap-in Mounting Feet of Side-entry



241系列一进一出侧面接线终端用端子
241 Series 1-1 Feed Through End Terminal Block
With Snap-in Mounting Feet of Side-entry



241系列两进两出侧面接线终端用端子
241 Series 2-2 Feed Through End Terminal Block
With Snap-in Mounting Feet of Side-entry

尺寸Size	
[mm]	
额定参数Rated Parameters	
额定电压Rated Voltage	[V]
额定电流Rated Current	[A]
接线容量Wire Range	
[mm ²]	
[AWG]	
其余参数Other Parameters	
绝缘材料/阻燃等级, 符合UL94 Insulating Material / Flame Retardant Grade, Conforming To UL94	
剥线长度Strip length	[mm]
产品Product	
颜色Colour	
灰Gray	
橙Orange	
白灰Light gray	
蓝Blue	
黄Yellow	
绿Green	
黄绿Yellow green	
粉Pink	
适配NS 35/7.5导轨 Can Be Used For DIN Rail NS 35/7.5	
端板Cover Plate	
平板Plate	
带固定器With Fixing Flanges	
带销钉 With Snap-in Mounting Feet	
按键Press Button	
固定支架Fixed Support	
跨接件Jumper	
位数Poles No.	
2	

技术参数Technical Parameter		
厚度Thickness	宽度Width	高度Height
6	28.1	18
额定参数Rated Parameters		
IEC	UL	
500	300	
24	15	
接线容量Wire Range		
刚性Solid	柔性Fine Stranded	带冷压头Furrule
0.2-2.5	0.2-2.5	0.2-1.5
28-14	28-14	28-14
其余参数Other Parameters		
绝缘材料/阻燃等级, 符合UL94 Insulating Material / Flame Retardant Grade, Conforming To UL94		
剥线长度Strip length		
8-9		

技术参数Technical Parameter		
厚度Thickness	宽度Width	高度Height
10	28.1	18
额定参数Rated Parameters		
IEC	UL	
500	300	
24	15	
接线容量Wire Range		
刚性Solid	柔性Fine Stranded	带冷压头Furrule
0.2-2.5	0.2-2.5	0.2-1.5
28-14	28-14	28-14
其余参数Other Parameters		
绝缘材料/阻燃等级, 符合UL94 Insulating Material / Flame Retardant Grade, Conforming To UL94		
剥线长度Strip length		
8-9		

技术参数Technical Parameter		
厚度Thickness	宽度Width	高度Height
6	28.1	18
额定参数Rated Parameters		
IEC	UL	
500	300	
24	15	
接线容量Wire Range		
刚性Solid	柔性Fine Stranded	带冷压头Furrule
0.2-2.5	0.2-2.5	0.2-1.5
28-14	28-14	28-14
其余参数Other Parameters		
绝缘材料/阻燃等级, 符合UL94 Insulating Material / Flame Retardant Grade, Conforming To UL94		
剥线长度Strip length		
8-9		

技术参数Technical Parameter		
厚度Thickness	宽度Width	高度Height
6	28.1	18
额定参数Rated Parameters		
IEC	UL	
500	300	
24	15	
接线容量Wire Range		
刚性Solid	柔性Fine Stranded	带冷压头Furrule
0.2-2.5	0.2-2.5	0.2-1.5
28-14	28-14	28-14
其余参数Other Parameters		
绝缘材料/阻燃等级, 符合UL94 Insulating Material / Flame Retardant Grade, Conforming To UL94		
剥线长度Strip length		
8-9		

订货信息Order Information	
订货号Order NO.	
灰Gray	241311
橙Orange	241312
白灰Light gray	241313
蓝Blue	241314
黄Yellow	241315
绿Green	241316
黄绿Yellow green	241317
粉Pink	241319

订货信息Order Information	
订货号Order NO.	
灰Gray	241341
橙Orange	241342
白灰Light gray	241343
蓝Blue	241344
黄Yellow	241345
绿Green	241346
黄绿Yellow green	241347
粉Pink	241349

订货信息Order Information	
订货号Order NO.	
灰Gray	241321
橙Orange	241322
白灰Light gray	241323
蓝Blue	241324
黄Yellow	241325
绿Green	241326
黄绿Yellow green	241327
粉Pink	241329

订货信息Order Information	
订货号Order NO.	
灰Gray	241351
橙Orange	241352
白灰Light gray	241353
蓝Blue	241354
黄Yellow	241355
绿Green	241356
黄绿Yellow green	241357
粉Pink	241359

配套附件Accessory	
订货号Order NO.	
平板Plate	241641
带固定器With Fixing Flanges	*
带销钉 With Snap-in Mounting Feet	241631
按键Press Button	241221
固定支架Fixed Support	241019
跨接件Jumper	
位数Poles No.	241601
2	241601

配套附件Accessory	
订货号Order NO.	
平板Plate	241641
带固定器With Fixing Flanges	*
带销钉 With Snap-in Mounting Feet	241632
按键Press Button	241221
固定支架Fixed Support	241019
跨接件Jumper	
位数Poles No.	241601
2	241601

配套附件Accessory	
订货号Order NO.	
平板Plate	241641
带固定器With Fixing Flanges	*
带销钉 With Snap-in Mounting Feet	241631
按键Press Button	241221
固定支架Fixed Support	241019
跨接件Jumper	
位数Poles No.	241601
2	241601

配套附件Accessory	
订货号Order NO.	
平板Plate	241641
带固定器With Fixing Flanges	*
带销钉 With Snap-in Mounting Feet	241632
按键Press Button	241221
固定支架Fixed Support	241019
跨接件Jumper	
位数Poles No.	241601
2	241601



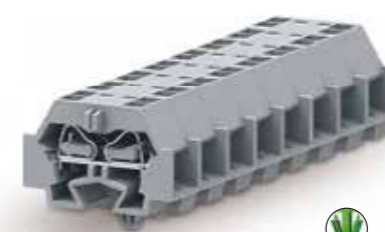
242系列一进一出带固定器侧面接线端子
242 Series 1-1 Feed Through Terminal Block With Fixing Flanges of Side-entry



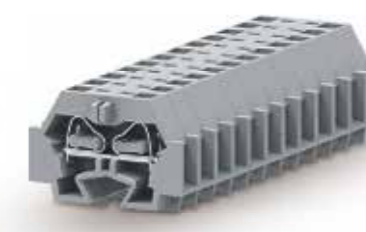
242系列两进两出带固定器侧面接线端子
242 Series 2-2 Feed Through Terminal Block With Fixing Flanges of Side-entry



242系列一进一出带销钉侧面接线端子
242 Series 1-1 Feed Through Terminal Block With Snap-in Mounting Feet of Side-entry



242系列两进两出带销钉侧面接线端子
242 Series 2-2 Feed Through Terminal Block With Snap-in Mounting Feet of Side-entry



242系列一进一出侧面接线终端用端子
242 Series 1-1 Feed Through End Terminal Block With Snap-in Mounting Feet of Side-entry

尺寸Size	
[mm]	
额定参数Rated Parameters	
额定电压Rated Voltage [V]	630
额定电流Rated Current [A]	24
接线容量Wire Range	
[mm ²]	0.2-4
[AWG]	28-12
其余参数Other Parameters	
绝缘材料/阻燃等级, 符合UL94 Insulating Material / Flame Retardant Grade, Conforming To UL94	V0
剥线长度Strip length [mm]	9-10
产品Product	
颜色Colour	灰Gray
	橙Orange
	白灰Light gray
	蓝Blue
	黄Yellow
	绿Green
	黄绿Yellow green
	粉Pink
适配NS 35/7.5导轨 Can Be Used For DIN Rail NS 35/7.5	
端板Cover Plate	
平板Plate	灰Gray
	橙Orange
带固定器With Fixing Flanges	灰Gray
	橙Orange
带销钉With Snap-in Mounting Feet	灰Gray
	橙Orange
按键Press Button	白White
固定支架Fixed Support	灰Gray
跨接件Jumper	
位数Poles No.	颜色Colour
2	灰Gray

技术参数Technical Parameter		
厚度Thickness	宽度Width	高度Height
7	33.6	23.1
额定参数Rated Parameters		
IEC	UL	
630	300	
24	20	
接线容量Wire Range		
刚性Solid	柔性Fine Stranded	带冷压头Furrule
0.2-4	0.2-4	0.2-2.5
28-12	28-12	28-12
其余参数Other Parameters		
绝缘材料/阻燃等级, 符合UL94 Insulating Material / Flame Retardant Grade, Conforming To UL94		
V0		
剥线长度Strip length [mm]		
9-10		

技术参数Technical Parameter		
厚度Thickness	宽度Width	高度Height
12	33.6	23.1
额定参数Rated Parameters		
IEC	UL	
630	300	
32	20	
接线容量Wire Range		
刚性Solid	柔性Fine Stranded	带冷压头Furrule
0.2-4	0.2-4	0.2-2.5
28-12	28-12	28-12
其余参数Other Parameters		
绝缘材料/阻燃等级, 符合UL94 Insulating Material / Flame Retardant Grade, Conforming To UL94		
V0		
剥线长度Strip length [mm]		
9-10		

技术参数Technical Parameter		
厚度Thickness	宽度Width	高度Height
7	33.6	23.1
额定参数Rated Parameters		
IEC	UL	
630	300	
24	20	
接线容量Wire Range		
刚性Solid	柔性Fine Stranded	带冷压头Furrule
0.2-4	0.2-4	0.2-2.5
28-12	28-12	28-12
其余参数Other Parameters		
绝缘材料/阻燃等级, 符合UL94 Insulating Material / Flame Retardant Grade, Conforming To UL94		
V0		
剥线长度Strip length [mm]		
9-10		

技术参数Technical Parameter		
厚度Thickness	宽度Width	高度Height
12	33.6	23.1
额定参数Rated Parameters		
IEC	UL	
630	300	
32	20	
接线容量Wire Range		
刚性Solid	柔性Fine Stranded	带冷压头Furrule
0.2-4	0.2-4	0.2-2.5
28-12	28-12	28-12
其余参数Other Parameters		
绝缘材料/阻燃等级, 符合UL94 Insulating Material / Flame Retardant Grade, Conforming To UL94		
V0		
剥线长度Strip length [mm]		
9-10		

技术参数Technical Parameter		
厚度Thickness	宽度Width	高度Height
7	33.6	23.1
额定参数Rated Parameters		
IEC	UL	
630	300	
24	20	
接线容量Wire Range		
刚性Solid	柔性Fine Stranded	带冷压头Furrule
0.2-4	0.2-4	0.2-2.5
28-12	28-12	28-12
其余参数Other Parameters		
绝缘材料/阻燃等级, 符合UL94 Insulating Material / Flame Retardant Grade, Conforming To UL94		
V0		
剥线长度Strip length [mm]		
9-10		

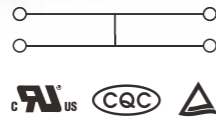
订货信息Order Information	
订货号Order NO.	
灰Gray	242301
橙Orange	242302
白灰Light gray	242303
蓝Blue	242304
黄Yellow	242305
绿Green	242306
黄绿Yellow green	242307
粉Pink	242309
配套附件Accessory	
端板Cover Plate	订货号Order NO.
平板Plate	*
带固定器With Fixing Flanges	灰Gray 242621
	橙Orange 242622
带销钉With Snap-in Mounting Feet	*
	橙Orange *
按键Press Button	*
固定支架Fixed Support	灰Gray 241019
跨接件Jumper	
位数Poles No.	颜色Colour
2	灰Gray 242601

订货信息Order Information	
订货号Order NO.	
灰Gray	242331
橙Orange	242332
白灰Light gray	242333
蓝Blue	242334
黄Yellow	242335
绿Green	242336
黄绿Yellow green	242337
粉Pink	242339
配套附件Accessory	
端板Cover Plate	订货号Order NO.
平板Plate	*
带固定器With Fixing Flanges	灰Gray 242621
	橙Orange 242622
带销钉With Snap-in Mounting Feet	*
	橙Orange *
按键Press Button	*
固定支架Fixed Support	灰Gray 241019
跨接件Jumper	
位数Poles No.	颜色Colour
2	灰Gray 242601

订货信息Order Information	
订货号Order NO.	
灰Gray	242311
橙Orange	242312
白灰Light gray	242313
蓝Blue	242314
黄Yellow	242315
绿Green	242316
黄绿Yellow green	242317
粉Pink	242319
配套附件Accessory	
端板Cover Plate	订货号Order NO.
平板Plate	242641
	242642
带固定器With Fixing Flanges	*
	*
带销钉With Snap-in Mounting Feet	242631
	242632
按键Press Button	*
固定支架Fixed Support	灰Gray 241019
跨接件Jumper	
位数Poles No.	颜色Colour
2	灰Gray 242601

订货信息Order Information	
订货号Order NO.	
灰Gray	242341
橙Orange	242342
白灰Light gray	242343
蓝Blue	242344
黄Yellow	242345
绿Green	242346
黄绿Yellow green	242347
粉Pink	242349
配套附件Accessory	
端板Cover Plate	订货号Order NO.
平板Plate	242641
	242642
带固定器With Fixing Flanges	*
	*
带销钉With Snap-in Mounting Feet	242631
	242632
按键Press Button	*
固定支架Fixed Support	灰Gray 241019
跨接件Jumper	
位数Poles No.	颜色Colour
2	灰Gray 242601

订货信息Order Information	
订货号Order NO.	
灰Gray	242321
橙Orange	242322
白灰Light gray	242323
蓝Blue	242324
黄Yellow	242325
绿Green	242326
黄绿Yellow green	242327
粉Pink	242329
配套附件Accessory	
端板Cover Plate	订货号Order NO.
平板Plate	242641
	242642
带固定器With Fixing Flanges	*
	*
带销钉With Snap-in Mounting Feet	242631
	242632
按键Press Button	*
固定支架Fixed Support	灰Gray 241019
跨接件Jumper	
位数Poles No.	颜色Colour
2	灰Gray 242601



242系列两进两出侧面接线终端用端子
242 Series 2-2 Feed Through End Terminal Block
With Snap-in Mounting Feet of Side-entry

尺寸Size		技术参数Technical Parameter		
厚度Thickness	[mm]	12	33.6	23.1
额定参数Rated Parameters		IEC	UL	
额定电压Rated Voltage	[V]	630	300	
额定电流Rated Current	[A]	32	20	
接线容量Wire Range		刚性Solid	柔性Fine Stranded	带冷压头Furrule
	[mm ²]	0.2-4	0.2-4	0.2-2.5
	[AWG]	28-12	28-12	28-12
其余参数Other Parameters		绝缘材料/阻燃等级, 符合UL94 Insulating Material / Flame Retardant Grade, Conforming To UL94		
剥线长度Strip length	[mm]	9-10		
产品Product		订货信息Order Information		
适配NS 35/7.5导轨 Can Be Used For DIN Rail NS 35/7.5	颜色Colour	订货号Order NO.		
	灰Gray	242351		
	橙Orange	242352		
	白灰Light gray	242353		
	蓝Blue	242354		
	黄Yellow	242355		
	绿Green	242356		
	黄绿Yellow green	242357		
粉Pink	242359			
端板Cover Plate		配套附件Accessory		
平板Plate	灰Gray	订货号Order NO.		
	橙Orange	242641		
带固定器With Fixing Flanges	灰Gray	242642		
	橙Orange	*		
带销钉With Snap-in Mounting Feet	灰Gray	242631		
	橙Orange	242632		
按键Press Button	白White	*		
固定支架Fixed Support	灰Gray	241019		
跨接件Jumper				
位数Poles No.	颜色Colour	订货号Order NO.		
2	灰Gray	242601		



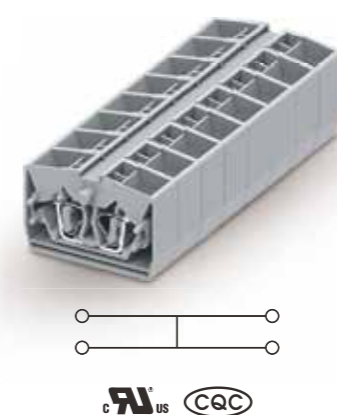
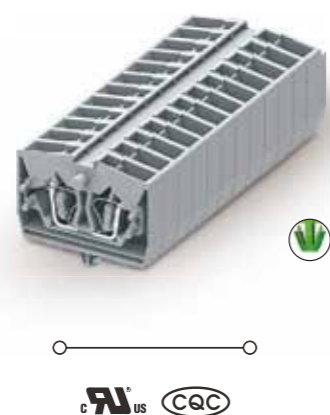
254系列一进一出带固定器正面接线端子
254 Series 1-1 Feed Through Terminal Block
With Fixing Flanges of Front-entry

尺寸Size		技术参数Technical Parameter		
厚度Thickness	[mm]	6	32	22.2
额定参数Rated Parameters		IEC	UL	
额定电压Rated Voltage	[V]	800	600	
额定电流Rated Current	[A]	24	20	
接线容量Wire Range		刚性Solid	柔性Fine Stranded	带冷压头Furrule
	[mm ²]	0.2-2.5	0.2-2.5	0.2-1.5
	[AWG]	28-12	28-12	28-12
其余参数Other Parameters		绝缘材料/阻燃等级, 符合UL94 Insulating Material / Flame Retardant Grade, Conforming To UL94		
剥线长度Strip length	[mm]	8-9		
产品Product		订货信息Order Information		
适配NS 35/7.5导轨 Can Be Used For DIN Rail NS 35/7.5	颜色Colour	订货号Order NO.		
	灰Gray	254301		
	橙Orange	254302		
	白灰Light gray	254303		
	蓝Blue	254304		
	黄Yellow	254305		
	绿Green	254306		
	黄绿Yellow green	254307		
粉Pink	*			
端板Cover Plate		配套附件Accessory		
平板Plate	灰Gray	订货号Order NO.		
	橙Orange	254625		
带固定器With Fixing Flanges	灰Gray	254626		
	橙Orange	254621		
带销钉With Snap-in Mounting Feet	灰Gray	254622		
	橙Orange	*		
按键Press Button	白White	*		
固定支架Fixed Support	灰Gray	*		
跨接件Jumper				
位数Poles No.	颜色Colour	订货号Order NO.		
2	灰Gray	*		



254系列两进两出带固定器正面接线端子
254 Series 2-2 Feed Through Terminal Block
With Fixing Flanges of Front-entry

尺寸Size		技术参数Technical Parameter		
厚度Thickness	[mm]	10	32	22.2
额定参数Rated Parameters		IEC	UL	
额定电压Rated Voltage	[V]	800	600	
额定电流Rated Current	[A]	24	20	
接线容量Wire Range		刚性Solid	柔性Fine Stranded	带冷压头Furrule
	[mm ²]	0.2-2.5	0.2-2.5	0.2-1.5
	[AWG]	28-12	28-12	28-12
其余参数Other Parameters		绝缘材料/阻燃等级, 符合UL94 Insulating Material / Flame Retardant Grade, Conforming To UL94		
剥线长度Strip length	[mm]	8-9		
产品Product		订货信息Order Information		
适配NS 35/7.5导轨 Can Be Used For DIN Rail NS 35/7.5	颜色Colour	订货号Order NO.		
	灰Gray	254331		
	橙Orange	254332		
	白灰Light gray	254333		
	蓝Blue	254334		
	黄Yellow	254335		
	绿Green	254336		
	黄绿Yellow green	254337		
粉Pink	*			
端板Cover Plate		配套附件Accessory		
平板Plate	灰Gray	订货号Order NO.		
	橙Orange	254625		
带固定器With Fixing Flanges	灰Gray	254626		
	橙Orange	254621		
带销钉With Snap-in Mounting Feet	灰Gray	254622		
	橙Orange	*		
按键Press Button	白White	*		
固定支架Fixed Support	灰Gray	*		
跨接件Jumper				
位数Poles No.	颜色Colour	订货号Order NO.		
2	灰Gray	*		



254系列一进一出带销钉正面接线端子
254 Series 1-1 Feed Through Terminal Block With Snap-in Mounting Feet of Front-entry

254系列两进两出带销钉正面接线端子
254 Series 2-2 Feed Through Terminal Block With Snap-in Mounting Feet of Front-entry

254系列一进一出正面接线中间端子
254 Series 1-1 Feed Through Middle Terminal Block of Front-entry

254系列两进两出正面接线中间端子
254 Series 2-2 Feed Through Middle Terminal Block of Front-entry

尺寸Size	
[mm]	
额定参数Rated Parameters	
额定电压Rated Voltage [V]	800
额定电流Rated Current [A]	24
接线容量Wire Range	
[mm ²]	0.2-2.5
[AWG]	28-12
其余参数Other Parameters	
绝缘材料/阻燃等级, 符合UL94 Insulating Material / Flame Retardant Grade, Conforming To UL94	V0
剥线长度Strip length [mm]	8-9
产品Product	
颜色Colour	灰Gray, 橙Orange, 白灰Light gray, 蓝Blue, 黄Yellow, 绿Green, 黄绿Yellow green, 粉Pink
适配NS 35/7.5导轨 Can Be Used For DIN Rail NS 35/7.5	
端板Cover Plate	
平板Plate	灰Gray, 橙Orange
带固定器With Fixing Flanges	灰Gray, 橙Orange
带销钉With Snap-in Mounting Feet	灰Gray, 橙Orange
按键Press Button	白White
固定支架Fixed Support	灰Gray
跨接件Jumper	
位数Poles No.	颜色Colour
2	灰Gray

技术参数Technical Parameter		
厚度Thickness	宽度Width	高度Height
6	32	22.2
额定参数Rated Parameters		
IEC	UL	
800	600	
24	20	
接线容量Wire Range		
刚性Solid	柔性Fine Stranded	带冷压头Furrule
0.2-2.5	0.2-2.5	0.2-1.5
28-12	28-12	28-12
其余参数Other Parameters		
绝缘材料/阻燃等级, 符合UL94 Insulating Material / Flame Retardant Grade, Conforming To UL94		
V0		
剥线长度Strip length [mm]		
8-9		

技术参数Technical Parameter		
厚度Thickness	宽度Width	高度Height
10	32	22.2
额定参数Rated Parameters		
IEC	UL	
800	600	
24	20	
接线容量Wire Range		
刚性Solid	柔性Fine Stranded	带冷压头Furrule
0.2-2.5	0.2-2.5	0.2-1.5
28-12	28-12	28-12
其余参数Other Parameters		
绝缘材料/阻燃等级, 符合UL94 Insulating Material / Flame Retardant Grade, Conforming To UL94		
V0		
剥线长度Strip length [mm]		
8-9		

技术参数Technical Parameter		
厚度Thickness	宽度Width	高度Height
6	32	22.2
额定参数Rated Parameters		
IEC	UL	
800	600	
24	20	
接线容量Wire Range		
刚性Solid	柔性Fine Stranded	带冷压头Furrule
0.2-2.5	0.2-2.5	0.2-1.5
28-12	28-12	28-12
其余参数Other Parameters		
绝缘材料/阻燃等级, 符合UL94 Insulating Material / Flame Retardant Grade, Conforming To UL94		
V0		
剥线长度Strip length [mm]		
8-9		

技术参数Technical Parameter		
厚度Thickness	宽度Width	高度Height
10	37	22.2
额定参数Rated Parameters		
IEC	UL	
800	600	
24	20	
接线容量Wire Range		
刚性Solid	柔性Fine Stranded	带冷压头Furrule
0.2-2.5	0.2-2.5	0.2-1.5
28-12	28-12	28-12
其余参数Other Parameters		
绝缘材料/阻燃等级, 符合UL94 Insulating Material / Flame Retardant Grade, Conforming To UL94		
V0		
剥线长度Strip length [mm]		
8-9		

订货信息Order Information	
订货号Order NO.	颜色Colour
254311	灰Gray
254312	橙Orange
254313	白灰Light gray
254314	蓝Blue
254315	黄Yellow
254316	绿Green
254317	黄绿Yellow green
*	粉Pink

订货信息Order Information	
订货号Order NO.	颜色Colour
254341	灰Gray
254342	橙Orange
254343	白灰Light gray
254344	蓝Blue
254345	黄Yellow
254346	绿Green
254347	黄绿Yellow green
*	粉Pink

订货信息Order Information	
订货号Order NO.	颜色Colour
254321	灰Gray
254322	橙Orange
254323	白灰Light gray
254324	蓝Blue
254325	黄Yellow
254326	绿Green
254327	黄绿Yellow green
*	粉Pink

订货信息Order Information	
订货号Order NO.	颜色Colour
254351	灰Gray
254352	橙Orange
254353	白灰Light gray
254354	蓝Blue
254355	黄Yellow
254356	绿Green
254357	黄绿Yellow green
*	粉Pink

配套附件Accessory	
订货号Order NO.	颜色Colour
254625	灰Gray
254626	橙Orange
254621	灰Gray
254622	橙Orange
*	灰Gray
*	橙Orange
*	白White
*	灰Gray
跨接件Jumper	
位数Poles No.	颜色Colour
2	灰Gray

配套附件Accessory	
订货号Order NO.	颜色Colour
254625	灰Gray
254626	橙Orange
254621	灰Gray
254622	橙Orange
*	灰Gray
*	橙Orange
*	白White
*	灰Gray
跨接件Jumper	
位数Poles No.	颜色Colour
2	灰Gray

配套附件Accessory	
订货号Order NO.	颜色Colour
254625	灰Gray
254626	橙Orange
254621	灰Gray
254622	橙Orange
*	灰Gray
*	橙Orange
*	白White
*	灰Gray
跨接件Jumper	
位数Poles No.	颜色Colour
2	灰Gray

配套附件Accessory	
订货号Order NO.	颜色Colour
254625	灰Gray
254626	橙Orange
254621	灰Gray
254622	橙Orange
*	灰Gray
*	橙Orange
*	白White
*	灰Gray
跨接件Jumper	
位数Poles No.	颜色Colour
2	灰Gray



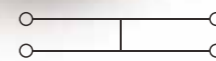
254系列一进一出正面接线端子(小导轨15)
254 Series 1-1 Feed Through Terminal Block of Front-entry(SP15X7.5)



254系列一进一出正面接线端子(小导轨35)
254 Series 1-1 Feed Through Terminal Block of Front-entry(SP35X7.5)



254系列一进一出正面接线端子(大导轨35)
254 Series 1-1 Feed Through Terminal Block of Front-entry(SP35X7.5)



254系列两进两出正面接线端子(大导轨35)
254 Series 2-2 Feed Through Terminal Block of Front-entry(SP35X7.5)

尺寸Size		技术参数Technical Parameter		
	[mm]	厚度Thickness	宽度Width	高度Height
		6	32	32.1
额定参数Rated Parameters		IEC	UL	
额定电压Rated Voltage	[V]	800	600	
额定电流Rated Current	[A]	24	20	
接线容量Wire Range		刚性Solid	柔性Fine Stranded	带冷压头Furrule
	[mm ²]	0.2-2.5	0.2-2.5	0.2-1.5
	[AWG]	28-12	28-12	28-12
其余参数Other Parameters		绝缘材料/阻燃等级, 符合UL94 Insulating Material / Flame Retardant Grade, Conforming To UL94		
剥线长度Strip length	[mm]	8-9		
产品Product		订货信息Order Information		
	颜色Colour	订货号Order NO.		
	灰Gray	254361		
	橙Orange	254362		
	白灰Light gray	254363		
	蓝Blue	254364		
	黄Yellow	254365		
	绿Green	254366		
	黄绿Yellow green	254367		
	粉Pink	*		
适配NS 35/7.5导轨 Can Be Used For DIN Rail NS 35/7.5				
端板Cover Plate		配套附件Accessory		
		订货号Order NO.		
平板Plate	灰Gray	254625		
	橙Orange	254626		
带固定器With Fixing Flanges	灰Gray	254621		
	橙Orange	254622		
带销钉 With Snap-in Mounting Feet	灰Gray	*		
	橙Orange	*		
按键Press Button	白White	*		
固定支架Fixed Support	灰Gray	*		
跨接件Jumper				
位数Poles No.	颜色Colour	订货号Order NO.		
2	灰Gray	*		

技术参数Technical Parameter			技术参数Technical Parameter		
厚度Thickness	宽度Width	高度Height	厚度Thickness	宽度Width	高度Height
6	32	32.1	10	32	32.1
IEC	UL		IEC	UL	
800	600		800	600	
24	20		24	20	
刚性Solid	柔性Fine Stranded	带冷压头Furrule	刚性Solid	柔性Fine Stranded	带冷压头Furrule
0.2-2.5	0.2-2.5	0.2-1.5	0.2-2.5	0.2-2.5	0.2-1.5
28-12	28-12	28-12	28-12	28-12	28-12
V0			V0		
8-9			8-9		
订货信息Order Information			订货信息Order Information		
订货号Order NO.			订货号Order NO.		
254371			254391		
254372			254392		
254373			254393		
254374			254394		
254375			254395		
254376			254396		
254377			254397		
*			*		
配套附件Accessory			配套附件Accessory		
订货号Order NO.			订货号Order NO.		
254625			254625		
254626			254626		
254621			254621		
254622			254622		
*			*		
*			*		
*			*		
*			*		
订货号Order NO.			订货号Order NO.		
*			*		

技术参数Technical Parameter			技术参数Technical Parameter		
厚度Thickness	宽度Width	高度Height	厚度Thickness	宽度Width	高度Height
10	37	31.6	10	37	31.6
IEC	UL		IEC	UL	
800	600		800	600	
24	20		24	20	
刚性Solid	柔性Fine Stranded	带冷压头Furrule	刚性Solid	柔性Fine Stranded	带冷压头Furrule
0.2-2.5	0.2-2.5	0.2-1.5	0.2-2.5	0.2-2.5	0.2-1.5
28-12	28-12	28-12	28-12	28-12	28-12
V0			V0		
8-9			8-9		
订货信息Order Information			订货信息Order Information		
订货号Order NO.			订货号Order NO.		
254381			254381		
254382			254382		
254383			254383		
254384			254384		
254385			254385		
254386			254386		
254387			254387		
*			*		
配套附件Accessory			配套附件Accessory		
订货号Order NO.			订货号Order NO.		
254625			254625		
254626			254626		
254621			254621		
254622			254622		
*			*		
*			*		
*			*		
*			*		
订货号Order NO.			订货号Order NO.		
*			*		

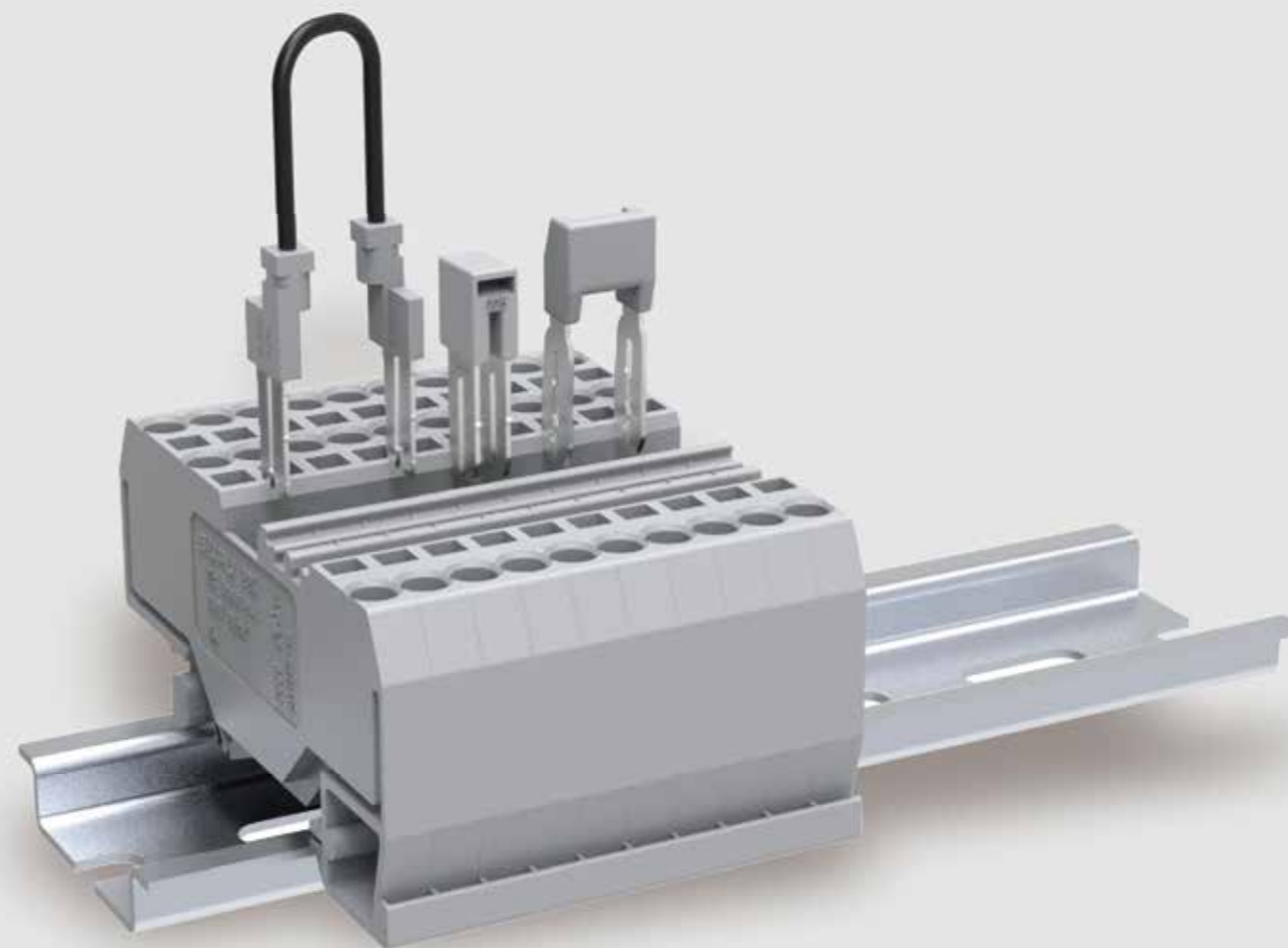


254系列一进一出正面接地端子(小导轨15)
254 Series 1-1 Feed Through Ground Terminal Block of Front-entry(SP15X7.5)

254系列一进一出正面接地端子(小导轨35)
254 Series 1-1 Feed Through Ground Terminal Block of Front-entry(SP35X7.5)

		技术参数Technical Parameter			技术参数Technical Parameter		
尺寸Size		厚度Thickness	宽度Width	高度Height	厚度Thickness	宽度Width	高度Height
	[mm]	6	32	32.9	6	42.6	33.5
额定参数Rated Parameters		IEC	UL		IEC	UL	
额定电压Rated Voltage	[V]	*	*		*	*	
额定电流Rated Current	[A]	*	*		*	*	
接线容量Wire Range		刚性Solid	柔性Fine Stranded	带冷压头Furrule	刚性Solid	柔性Fine Stranded	带冷压头Furrule
	[mm ²]	0.2-2.5	0.2-2.5	0.2-1.5	0.2-2.5	0.2-2.5	0.2-1.5
	[AWG]	28-12	28-12	28-12	28-12	28-12	28-12
其余参数Other Parameters							
绝缘材料/阻燃等级, 符合UL94 Insulating Material / Flame Retardant Grade, Conforming To UL94		V0			V0		
剥线长度Strip length	[mm]	8-9			8-9		
产品Product	颜色Colour 黄绿Yellow green	订货信息Order Information			订货信息Order Information		
		订货号Order NO. 254507			订货号Order NO. 254607		
适配NS 35/7.5导轨 Can Be Used For DIN Rail NS 35/7.5							
端板Cover Plate		配套附件Accessory			配套附件Accessory		
		订货号Order NO.			订货号Order NO.		
平板Plate	灰Gray 橙Orange	254625 254626			254625 254626		
带固定器With Fixing Flanges	灰Gray 橙Orange	254621 254622			254621 254622		
带销钉 With Snap-in Mounting Feet	灰Gray 橙Orange	*			*		
按键Press Button	白White	*			*		
固定支架Fixed Support	灰Gray	*			*		
跨接件Jumper							
位数Poles No.	颜色Colour	订货号Order NO.			订货号Order NO.		
2	灰Gray	*			*		

附件 Accessory



终端固定器 End Clamp



	SPD35螺钉 SPD35 Screw	SPD35卡式 T=10mm SPD35 Clip T=10mm	双层弹端子终端固定器 Double level terminal block end Clamp
技术参数Technical Parameter	技术参数Technical Parameter	技术参数Technical Parameter	技术参数Technical Parameter
尺寸Size 注: 安装NS35/7.5导轨后的高度 Note: Height With DIN Rail NS 35/7.5	厚度Thickness 9.5 宽度Width 46.1 高度Height 35.1	厚度Thickness 10 宽度Width 43.7 高度Height 28	厚度Thickness 10 宽度Width 55.5 高度Height 50
其余参数Other Parameters	绝缘材料/阻燃等级, 符合UL94 Insulating Material / Flame Retardant Grade, Conforming To UL94	绝缘材料/阻燃等级, 符合UL94 Insulating Material / Flame Retardant Grade, Conforming To UL94	绝缘材料/阻燃等级, 符合UL94 Insulating Material / Flame Retardant Grade, Conforming To UL94
适配NS 35/7.5导轨 Can Be Used For DIN Rail NS 35/7.5	颜色Colour 灰Gray		
包装数量Package quantity	100	100	100
适用轨道/型号 Can Be Used For DIN Rail/Product	900421/011 900421/031 900401/001 900421/021 900431/001	900421/011 900421/031 900401/001 900421/021 900431/001	900421/011 900421/031 900401/001 900421/021 900431/001
标记Marker	可提供印字服务Printing Service	可提供印字服务Printing Service	可提供印字服务Printing Service

	SPD15卡式 T=5.2mm SPD15 Clip T=5.2mm
技术参数Technical Parameter	技术参数Technical Parameter
尺寸Size 注: 安装NS35/7.5导轨后的高度 Note: Height With DIN Rail NS 35/7.5	厚度Thickness 5.2 宽度Width 22.7 高度Height 22.1
其余参数Other Parameters	绝缘材料/阻燃等级, 符合UL94 Insulating Material / Flame Retardant Grade, Conforming To UL94
适配NS 35/7.5导轨 Can Be Used For DIN Rail NS 35/7.5	颜色Colour 灰Gray
包装数量Package quantity	100
适用轨道/型号 Can Be Used For DIN Rail/Product	900421/061
标记Marker	可提供印字服务Printing Service

终端标识牌 End Clamp marking



新品
NEW

	SPD35卡式 T=6mm SPD35 Clip T=6mm	SPD35螺钉 SPD35 Screw	Sp15 导轨固定器 SP15 Screw
技术参数Technical Parameter	技术参数Technical Parameter	技术参数Technical Parameter	技术参数Technical Parameter
尺寸Size 注: 安装NS35/7.5导轨后的高度 Note: Height With DIN Rail NS 35/7.5	厚度Thickness 6 宽度Width 43.7 高度Height 28	厚度Thickness 9.4 宽度Width 44.1 高度Height 33	厚度Thickness 6 宽度Width 22 高度Height 11.6
其余参数Other Parameters	绝缘材料/阻燃等级, 符合UL94 Insulating Material / Flame Retardant Grade, Conforming To UL94	绝缘材料/阻燃等级, 符合UL94 Insulating Material / Flame Retardant Grade, Conforming To UL94	绝缘材料/阻燃等级, 符合UL94 Insulating Material / Flame Retardant Grade, Conforming To UL94
适配NS 35/7.5导轨 Can Be Used For DIN Rail NS 35/7.5	颜色Colour 灰Gray		
包装数量Package quantity	100	100	100
适用轨道/型号 Can Be Used For DIN Rail/Product	900421/011 900421/031 900401/001 900421/021 900431/001	900421/011 900421/031 900401/001 900421/021 900431/001	900421/061
标记Marker	可提供印字服务Printing Service	可提供印字服务Printing Service	可提供印字服务Printing Service

	铭牌支持件 Nameplate holder	透明标记牌 Transparent Marker card	铭牌固定器 Nameplate Clamp
技术参数Technical Parameter	技术参数Technical Parameter	技术参数Technical Parameter	技术参数Technical Parameter
尺寸Size 注: 安装NS35/7.5导轨后的高度 Note: Height With DIN Rail NS 35/7.5	厚度Thickness 1.0 宽度Width 30.5 高度Height 10	厚度Thickness 9.4 宽度Width 46 高度Height 36.8	厚度Thickness 11.5 宽度Width 48.6 高度Height 40.3
其余参数Other Parameters	绝缘材料/阻燃等级, 符合UL94 Insulating Material / Flame Retardant Grade, Conforming To UL94	绝缘材料/阻燃等级, 符合UL94 Insulating Material / Flame Retardant Grade, Conforming To UL94	绝缘材料/阻燃等级, 符合UL94 Insulating Material / Flame Retardant Grade, Conforming To UL94
适配NS 35/7.5导轨 Can Be Used For DIN Rail NS 35/7.5	颜色Colour 灰Gray		
包装数量Package quantity	100	100	100
适用轨道/型号 Can Be Used For DIN Rail/Product	215202	215204	*
标记Marker	可提供印字服务Printing Service	可提供印字服务Printing Service	可提供印字服务Printing Service

导轨转换器 Rail transfer



	导轨转换器[用于254端子带销钉] 254 Rail transfer	450导轨转换器 450 Rail transfer	450导轨转换器(适用于继电器模块) 450 Rail transfer
	技术参数Technical Parameter		
尺寸Size 注: 安装NS35/7.5导轨后的高度 Note: Height With DIN Rail NS 35/7.5	厚度Thickness 6 宽度Width 38 高度Height 12.7	厚度Thickness 6.4 宽度Width 41.7 高度Height 10.6	厚度Thickness 4.9 宽度Width 42.8 高度Height 14.3
其余参数Other Parameters 绝缘材料/阻燃等级, 符合UL94 Insulating Material / Flame Retardant Grade, Conforming To UL94	V0		
	订货信息Order Information		
适配NS 35/7.5导轨 Can Be Used For DIN Rail NS 35/7.5	颜色Colour 灰Gray		
包装数量Package quantity	订货号Order NO. 254611 100	订货号Order NO. 450018 100	订货号Order NO. 450017 100
适用轨道/型号 Can Be Used For DIN Rail/Product	适用于SP254微型端子(带销钉) Apply to SP 254 miniature terminal block (with snap in mounting feet)	适用于SP450/475连接器; SP240/241/242微型端子(带销钉) Apply to SP 450/475 connector SP240/241/242 miniature terminal block (with snap in mounting feet)	适用于继电器模块 Apply to relay module
标记Marker 可提供印字服务Printing Service	订货号Order NO. *	订货号Order NO. *	订货号Order NO. *



	241 导轨转换器 241 Rail transfer
	技术参数Technical Parameter
尺寸Size 注: 安装NS35/7.5导轨后的高度 Note: Height With DIN Rail NS 35/7.5	厚度Thickness 6.3 宽度Width 43.3 高度Height 10.5
其余参数Other Parameters 绝缘材料/阻燃等级, 符合UL94 Insulating Material / Flame Retardant Grade, Conforming To UL94	V0
	订货信息Order Information
适配NS 35/7.5导轨 Can Be Used For DIN Rail NS 35/7.5	颜色Colour 灰Gray
包装数量Package quantity	订货号Order NO. 24101 100
适用轨道/型号 Can Be Used For DIN Rail/Product	适用于SP241微型端子(带固定器) Apply to SP 241 miniature terminal block (with end stop)
标记Marker 可提供印字服务Printing Service	订货号Order NO. *

分组隔片 Partition plate



	TU隔板 TP Partition plate	TP隔板 TP Partition plate	TS-K隔板 TS-K Partition plate
	技术参数Technical Parameter		
尺寸Size 注: 安装NS35/7.5导轨后的高度 Note: Height With DIN Rail NS 35/7.5	厚度Thickness 1 宽度Width 22.1 高度Height 22.15		
其余参数Other Parameters 绝缘材料/阻燃等级, 符合UL94 Insulating Material / Flame Retardant Grade, Conforming To UL94	V0		
	订货信息Order Information		
适配NS 35/7.5导轨 Can Be Used For DIN Rail NS 35/7.5	颜色Colour 灰Gray		
包装数量Package quantity	订货号Order NO. ATP-TU 100	订货号Order NO. ATP-TP 100	订货号Order NO. 302151 100
适用轨道/型号 Can Be Used For DIN Rail/Product	TUXX-2系列	TPXX-2系列	UK系列
标记Marker 可提供印字服务Printing Service	订货号Order NO. *	订货号Order NO. *	订货号Order NO. *



	UK35隔板 Nameplate Clamp
	技术参数Technical Parameter
尺寸Size 注: 安装NS35/7.5导轨后的高度 Note: Height With DIN Rail NS 35/7.5	厚度Thickness 7.5 宽度Width 50.1 高度Height 52
其余参数Other Parameters 绝缘材料/阻燃等级, 符合UL94 Insulating Material / Flame Retardant Grade, Conforming To UL94	V0
	订货信息Order Information
适配NS 35/7.5导轨 Can Be Used For DIN Rail NS 35/7.5	颜色Colour 灰Gray
包装数量Package quantity	订货号Order NO. ATP-UK 35 100
适用轨道/型号 Can Be Used For DIN Rail/Product	335系列
标记Marker 可提供印字服务Printing Service	订货号Order NO. *

保护盖板 Protection cover



	塑料/透明保护罩 Transparent rail cover			透明保护罩支架 Support plate			透明保护罩支架(带塑料滚花螺母) Support palte(With screw)		
	技术参数Technical Parameter			技术参数Technical Parameter			技术参数Technical Parameter		
尺寸Size	厚度Thickness	宽度Width	高度Height	厚度Thickness	宽度Width	高度Height	厚度Thickness	宽度Width	高度Height
注: 安装NS35/7.5导轨后的高度 Note: Height With DIN Rail NS 35/7.5	2	94	44.8	2.2	91.65	72.7	2.2	91.65	89
其余参数Other Parameters	绝缘材料/阻燃等级, 符合UL94 Insulating Material / Flame Retardant Grade, Conforming To UL94			V0			V0		
适配NS 35/7.5导轨 Can Be Used For DIN Rail NS 35/7.5	颜色Colour 灰Gray			订货号Order NO.			订货号Order NO.		
包装数量Package quantity	900601			900611			900612		
	100			100			100		
	订货号Order NO.			订货号Order NO.			订货号Order NO.		
	900611			900421/011			900421/011		
	900612			900421/031			900421/031		
适用轨道/型号 Can Be Used For DIN Rail/Product				900401/001			900401/001		
				900421/021			900421/021		
				900431/001			900431/001		
				900601			900601		
标记Marker	订货号Order NO.			订货号Order NO.			订货号Order NO.		
可提供印字服务Printing Service	*			*			*		

TP/TU/TC系列跨接桥 TP/TU/TC Jumper



	TJA6.2			TJA8.2			TJA10.2		
	技术参数Technical Parameter			技术参数Technical Parameter			技术参数Technical Parameter		
尺寸Size	厚度Thickness	宽度Width	高度Height	厚度Thickness	宽度Width	高度Height	厚度Thickness	宽度Width	高度Height
其余参数Other Parameters	绝缘材料/阻燃等级, 符合UL94 Insulating Material / Flame Retardant Grade, Conforming To UL94			V0			V0		
位数Poles No.	订货号Order NO.			订货号Order NO.			订货号Order NO.		
2	TJA6.2-2			TJA8.2-2			TJA10.2-2		
3	TJA6.2-3			TJA8.2-3					
.....					
9	TJA6.2-9			TJA8.2-9					
10	TJA6.2-10			TJA8.2-10					
.....									
20									
包装数量Package quantity	50			50			50		
	订货号Order NO.			订货号Order NO.			订货号Order NO.		
适用轨道/型号 Can Be Used For DIN Rail/Product	TP4;TC4;TU4系列			TP6;TC6;TU6系列			TP10;TC10;TU10系列		
标记Marker	订货号Order NO.			订货号Order NO.			订货号Order NO.		
可提供印字服务Printing Service	*			*			*		

TP/TU/TC系列跨接桥 TP/TU/TC Jumper



	TJA3.5			TJA4.2			TJA5.2		
	技术参数Technical Parameter			技术参数Technical Parameter			技术参数Technical Parameter		
尺寸Size	厚度Thickness	宽度Width	高度Height	厚度Thickness	宽度Width	高度Height	厚度Thickness	宽度Width	高度Height
其余参数Other Parameters	绝缘材料/阻燃等级, 符合UL94 Insulating Material / Flame Retardant Grade, Conforming To UL94			V0			V0		
位数Poles No.	订货号Order NO.			订货号Order NO.			订货号Order NO.		
2	TJA3.5-2			TJA4.2-2			TJA5.2-2		
3	TJA3.5-3			TJA4.2-3			TJA5.2-3		
.....		
9	TJA3.5-9			TJA4.2-9			TJA5.2-9		
10	TJA3.5-10			TJA4.2-10			TJA5.2-10		
.....									
20									
包装数量Package quantity	50			50			50		
	订货号Order NO.			订货号Order NO.			订货号Order NO.		
适用轨道/型号 Can Be Used For DIN Rail/Product	TP1.5;TPD1.5系列			TC1.5系列			TP2.5;TC2.5;TU2.5系列		
标记Marker	订货号Order NO.			订货号Order NO.			订货号Order NO.		
可提供印字服务Printing Service	*			*			*		



	TJA12.2			TJA16.2			TJB5.2		
	技术参数Technical Parameter			技术参数Technical Parameter			技术参数Technical Parameter		
尺寸Size	厚度Thickness	宽度Width	高度Height	厚度Thickness	宽度Width	高度Height	厚度Thickness	宽度Width	高度Height
其余参数Other Parameters	绝缘材料/阻燃等级, 符合UL94 Insulating Material / Flame Retardant Grade, Conforming To UL94			V0			V0		
位数Poles No.	订货号Order NO.			订货号Order NO.			订货号Order NO.		
2	TJA12.2-2			TJA16.2-2			TJB5.2-2		
3							TJB5.2-3		
.....								
9							TJB5.2-9		
10							TJB5.2-10		
.....									
20									
包装数量Package quantity	50			50			50		
	订货号Order NO.			订货号Order NO.			订货号Order NO.		
适用轨道/型号 Can Be Used For DIN Rail/Product	TP16;TC16;TU16系列			TC35;TU35系列			TP2.5;TC2.5;TU2.5系列		
标记Marker	订货号Order NO.			订货号Order NO.			订货号Order NO.		
可提供印字服务Printing Service	*			*			*		

TA系列跨接桥 TA Jumper



215轨装端子相邻跨接桥
215 Adjacent Jumper

225轨装端子相邻跨接桥
225 Adjacent Jumper

204 轨装端子相邻跨接桥
204 Adjacent Jumper

尺寸Size	技术参数Technical Parameter			技术参数Technical Parameter			技术参数Technical Parameter		
	厚度Thickness	宽度Width	高度Height	厚度Thickness	宽度Width	高度Height	厚度Thickness	宽度Width	高度Height
	4	22.45	8	4.9	21.9	7.8	11	32	13.5
其余参数Other Parameters	V0			V0			V0		
绝缘材料/阻燃等级, 符合UL94 Insulating Material / Flame Retardant Grade, Conforming To UL94	V0			V0			V0		
订购信息Order Information	订货号Order NO.			订货号Order NO.			订货号Order NO.		
位数Poles No.	2			2			2		
颜色Colour	灰Gray			灰Gray			灰Gray		
包装数量Package quantity	100			100			100		
适用轨道/型号 Can Be Used For DIN Rail/Product	SP215系列			SP225系列			SP204系列		
标记Marker	订货号Order NO.			订货号Order NO.			订货号Order NO.		
可提供印字服务Printing Service	*			*			*		

TA系列跨接桥 TA Jumper



225系列3位灰色交错跨接桥
225 Adjacent Jumper

导线跨接器
Wire Jumper

尺寸Size	技术参数Technical Parameter			技术参数Technical Parameter		
	厚度Thickness	宽度Width	高度Height	厚度Thickness	宽度Width	高度Height
	9.7	25.4	5.75	3.8	24.7	8.1
其余参数Other Parameters	V0			V0		
绝缘材料/阻燃等级, 符合UL94 Insulating Material / Flame Retardant Grade, Conforming To UL94	V0			V0		
订购信息Order Information	订货号Order NO.			订货号Order NO.		
位数Poles No.	2			2		
颜色Colour	灰Gray			灰Gray		
包装数量Package quantity	100			100		
适用轨道/型号 Can Be Used For DIN Rail/Product	SP225系列			SP225系列		
标记Marker	订货号Order NO.			订货号Order NO.		
可提供印字服务Printing Service	*			*		

UK系列跨接桥 UK Jumper



206轨装端子相邻跨接桥
206 Adjacent Jumper

210轨装端子相邻跨接桥
210 Adjacent Jumper

216轨装端子相邻跨接桥
216 Adjacent Jumper

302 固定式带绝缘全螺钉跨接件
302 Fixed screw with insulating ring- jumper

303 固定式带绝缘全螺钉跨接件
303 Fixed screw with insulating ring- jumper

306 固定式带绝缘全螺钉跨接件
306 Fixed screw with insulating ring- jumper

尺寸Size	技术参数Technical Parameter			技术参数Technical Parameter			技术参数Technical Parameter		
	厚度Thickness	宽度Width	高度Height	厚度Thickness	宽度Width	高度Height	厚度Thickness	宽度Width	高度Height
	8	25.5	8	9.7	26.5	9	11	32	13.5
其余参数Other Parameters	V0			V0			V0		
绝缘材料/阻燃等级, 符合UL94 Insulating Material / Flame Retardant Grade, Conforming To UL94	V0			V0			V0		
订购信息Order Information	订货号Order NO.			订货号Order NO.			订货号Order NO.		
位数Poles No.	2			2			2		
颜色Colour	灰Gray			灰Gray			灰Gray		
包装数量Package quantity	100			100			100		
适用轨道/型号 Can Be Used For DIN Rail/Product	SP206系列			SP210系列			SP216系列		
标记Marker	订货号Order NO.			订货号Order NO.			订货号Order NO.		
可提供印字服务Printing Service	*			*			*		

尺寸Size	技术参数Technical Parameter			技术参数Technical Parameter			技术参数Technical Parameter		
	厚度Thickness	宽度Width	高度Height	厚度Thickness	宽度Width	高度Height	厚度Thickness	宽度Width	高度Height
	1	6.15	5.55	1	5.2	5.2	1	8.2	6.4
其余参数Other Parameters	V0			V0			V0		
绝缘材料/阻燃等级, 符合UL94 Insulating Material / Flame Retardant Grade, Conforming To UL94	V0			V0			V0		
订购信息Order Information	订货号Order NO.			订货号Order NO.			订货号Order NO.		
位数Poles No.	2			3			9		
	3			9			10		
		
	9			10				
	10				
包装数量Package quantity	100			100			100		
适用轨道/型号 Can Be Used For DIN Rail/Product	SP302系列; 305系列			SP303系列			SP306系列		
标记Marker	订货号Order NO.			订货号Order NO.			订货号Order NO.		
可提供印字服务Printing Service	*			*			*		

UK系列跨接桥 UK Jumper



310 固定式带绝缘圈螺钉跨接件
310 Fixed screw with insulating ring-jumper



316 固定式带绝缘圈螺钉跨接件
316 Fixed screw with insulating ring-jumper



335 固定式带绝缘圈螺钉跨接件
335 Fixed screw with insulating ring-jumper

	310 固定式带绝缘圈螺钉跨接件 310 Fixed screw with insulating ring-jumper			316 固定式带绝缘圈螺钉跨接件 316 Fixed screw with insulating ring-jumper			335 固定式带绝缘圈螺钉跨接件 335 Fixed screw with insulating ring-jumper		
	技术参数Technical Parameter			技术参数Technical Parameter			技术参数Technical Parameter		
尺寸Size	厚度Thickness	宽度Width	高度Height	厚度Thickness	宽度Width	高度Height	厚度Thickness	宽度Width	高度Height
其余参数Other Parameters	V0			V0			V0		
绝缘材料/阻燃等级, 符合UL94 Insulating Material / Flame Retardant Grade, Conforming To UL94	V0			V0			V0		
订货信息Order Information	订货号Order NO.			订货号Order NO.			订货号Order NO.		
位数Poles No.	订货号Order NO.			订货号Order NO.			订货号Order NO.		
2	310302			316302			335302		
3	310303			316303			335303		
.....		
9	310309			316309			335309		
10	310310			316310			335310		
包装数量Package quantity	100			100			100		
适用轨道/型号 Can Be Used For DIN Rail/Product	SP310系列			SP316系列			SP335系列		
标记Marker 可提供印字服务Printing Service	*			*			*		



开关桥接件
Contact bridge



固定边插式-跨接件
Fixed side insert-jumper

	开关桥接件 Contact bridge			固定边插式-跨接件 Fixed side insert-jumper		
	技术参数Technical Parameter			技术参数Technical Parameter		
尺寸Size	厚度Thickness	宽度Width	高度Height	厚度Thickness	宽度Width	高度Height
其余参数Other Parameters	V0			V0		
绝缘材料/阻燃等级, 符合UL94 Insulating Material / Flame Retardant Grade, Conforming To UL94	V0			V0		
订货信息Order Information	订货号Order NO.			订货号Order NO.		
位数Poles No.	订货号Order NO.			订货号Order NO.		
2	306322			306320		
3						
.....						
9						
10						
包装数量Package quantity	100			100		
适用轨道/型号 Can Be Used For DIN Rail/Product	订货号Order NO.			订货号Order NO.		
	SUK6-T;306911			SUK6-T;306911		
标记Marker 可提供印字服务Printing Service	*			*		

TB系列跨接桥 TB Jumper



240跨接桥
240 Adjacent Jumper



241跨接桥
241 Adjacent Jumper



242跨接桥
242 Adjacent Jumper

	240跨接桥 240 Adjacent Jumper			241跨接桥 241 Adjacent Jumper			242跨接桥 242 Adjacent Jumper		
	技术参数Technical Parameter			技术参数Technical Parameter			技术参数Technical Parameter		
尺寸Size	厚度Thickness	宽度Width	高度Height	厚度Thickness	宽度Width	高度Height	厚度Thickness	宽度Width	高度Height
其余参数Other Parameters	V0			V0			V0		
绝缘材料/阻燃等级, 符合UL94 Insulating Material / Flame Retardant Grade, Conforming To UL94	V0			V0			V0		
订货信息Order Information	订货号Order NO.			订货号Order NO.			订货号Order NO.		
位数Poles No.	订货号Order NO.			订货号Order NO.			订货号Order NO.		
2	240601			241601			242601		
包装数量Package quantity	订货号Order NO.			订货号Order NO.			订货号Order NO.		
	订货号Order NO.			订货号Order NO.			订货号Order NO.		
适用轨道/型号 Can Be Used For DIN Rail/Product	SP240系列			Sp241系列			Sp242系列		
标记Marker 可提供印字服务Printing Service	*			*			*		

导轨终端固定件 Rail end cap



7.5*35导轨终端保护件
7.5*35 Rail end cap

	7.5*35导轨终端保护件 7.5*35 Rail end cap		
	技术参数Technical Parameter		
尺寸Size	厚度Thickness	宽度Width	高度Height
其余参数Other Parameters	V0		
绝缘材料/阻燃等级, 符合UL94 Insulating Material / Flame Retardant Grade, Conforming To UL94	V0		
订货信息Order Information	订货号Order NO.		
适配NS 35/7.5导轨 Can Be Used For DIN Rail NS 35/7.5	订货号Order NO.		
颜色Colour	黑Black		
920001	920001		
包装数量Package quantity	100		
	订货号Order NO.		
	900421/011		
	900421/031		
适用轨道/型号 Can Be Used For DIN Rail/Product	900421/001		
	900421/021		
标记Marker 可提供印字服务Printing Service	*		

测试插头 Test Plug



	1.5mm ² , 测试插头空 1.5mm ² Test Plug			1.5mm ² , 测试插头带电阻 1.5mm ² Test Plug with resistance		
	技术参数Technical Parameter			技术参数Technical Parameter		
尺寸Size 注: 安装NS35/7.5导轨后的高度 Note: Height With DIN Rail NS 35/7.5	厚度Thickness	宽度Width	高度Height	厚度Thickness	宽度Width	高度Height
	3.5	30	37.9	3.5	30	37.9
其余参数Other Parameters	绝缘材料/阻燃等级, 符合UL94 Insulating Material / Flame Retardant Grade, Conforming To UL94			V0		
适配NS 35/7.5导轨 Can Be Used For DIN Rail NS 35/7.5	颜色Colour 黑Black			V0		
包装数量Package quantity	订货号Order NO. TP1.5-DP			订货号Order NO. TP1.5-DPR120		
适用轨道/型号 Can Be Used For DIN Rail/Product	订货号Order NO. TP1.5系列			订货号Order NO. TP1.5系列		
标记Marker 可提供印字服务Printing Service	订货号Order NO. *			订货号Order NO. *		

导轨 Rails



	铝轨-7.5*35(4.8X25X10.5) Aluminum-7.5*35(4.8X25X10.5)			小导轨(钢轨)-5.5*15(4.2*12.2) Steel-5.5*15(4.2X12.2)		
	技术参数Technical Parameter			技术参数Technical Parameter		
尺寸Size 注: 安装NS35/7.5导轨后的高度 Note: Height With DIN Rail NS 35/7.5	厚度Thickness	宽度Width	高度Height	厚度Thickness	宽度Width	高度Height
	1	35	7.5	1	15	5.5
适配NS 35/7.5导轨 Can Be Used For DIN Rail NS 35/7.5	颜色Colour 灰Gray			订货号Order NO. 900431/001		
包装数量Package quantity	订货号Order NO.			订货号Order NO. 900421/061		
适用轨道/型号 Can Be Used For DIN Rail/Product	订货号Order NO.			订货号Order NO.		
标记Marker 可提供印字服务Printing Service	适用于SP35尺寸产品			适用于SP15尺寸产品		
	订货号Order NO. *			订货号Order NO. *		

导轨 Rails



	钢轨-7.5*35(5.2X15X10) Steel-7.5*35(5.2X15X10)			钢轨-7.5*35(5.2X25X11) Steel-7.5*35(5.2X25X11)			钢轨-7.5*35(无孔) Steel-7.5*35(无孔)		
	技术参数Technical Parameter			技术参数Technical Parameter			技术参数Technical Parameter		
尺寸Size 注: 安装NS35/7.5导轨后的高度 Note: Height With DIN Rail NS 35/7.5	厚度Thickness	宽度Width	高度Height	厚度Thickness	宽度Width	高度Height	厚度Thickness	宽度Width	高度Height
	1	35	7.5	1	35	7.5	1	35	7.5
适配NS 35/7.5导轨 Can Be Used For DIN Rail NS 35/7.5	颜色Colour 灰Gray			订货号Order NO. 900421/011			订货号Order NO. 900421/031		
包装数量Package quantity	订货号Order NO.			订货号Order NO.			订货号Order NO. 900401/001		
适用轨道/型号 Can Be Used For DIN Rail/Product	订货号Order NO.			订货号Order NO.			订货号Order NO.		
标记Marker 可提供印字服务Printing Service	适用于SP35尺寸产品			适用于SP35尺寸产品			适用于SP35尺寸产品		
	订货号Order NO. *			订货号Order NO. *			订货号Order NO. *		

弹簧接线端子专用工具 Special tools for spring terminal blocks



	1A型单脚插棒-5.0mm 1A type 1 way connect bar-5.0mm		2A型双脚插棒-5.0mm 2A type 2 way connect bar-5.0mm		10A型十脚插棒-5.0mm 10 way connect bar-5.0mm	
	订货号Order Information		订货号Order Information		订货号Order Information	
尺寸Size	订货号Order NO.	订货号Order NO.	订货号Order NO.	订货号Order NO.	订货号Order NO.	订货号Order NO.
	910111	910112	910111	910112	910120	910120
包装数量Package quantity	订货号Order NO.		订货号Order NO.		订货号Order NO.	
适用轨道/型号 Can Be Used For DIN Rail/Product	订货号Order NO.		订货号Order NO.		订货号Order NO.	
标记Marker 可提供印字服务Printing Service	适用于SP240系列		适用于SP240系列		适用于SP240系列	
	订货号Order NO. *		订货号Order NO. *		订货号Order NO. *	

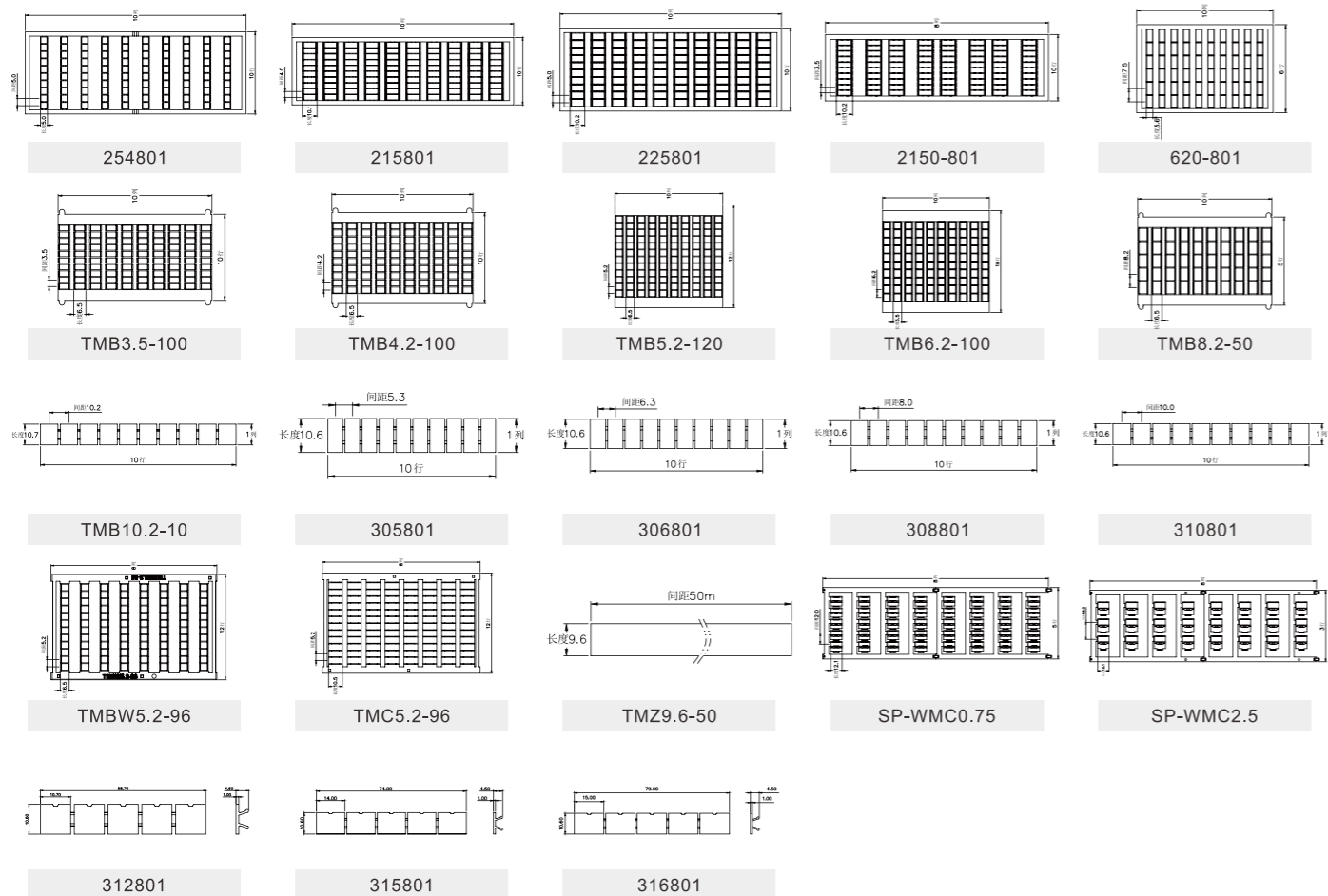
弹簧接线端子专用工具 Special tools for spring terminal blocks



一字螺丝刀 screw driver (刀口 edge: 2.5x0.4mm) 一字螺丝刀 screw driver (刀口 edge: 3.5x0.5mm) 一字螺丝刀 screw driver (刀口 edge: 5.5x0.8mm)

订货信息 Order Information	订货信息 Order Information	订货信息 Order Information
订货号 Order NO. 910024	订货号 Order NO. 910025	订货号 Order NO. 910026
包装数量 Package quantity	包装数量 Package quantity	包装数量 Package quantity
订货号 Order NO.	订货号 Order NO.	订货号 Order NO.
适用轨道/型号 Can Be Used For DIN Rail	适用于1.5平方端子 1.5mm ² Terminal block	适用于2.5,4平方端子 2.5/4mm ² Terminal block
标记 Marker	适用于6,10,16平方端子 6/10/16mm ² Terminal block	适用于6,10,16平方端子 6/10/16mm ² Terminal block
可提供印字服务 Printing Service	订货号 Order NO. *	订货号 Order NO. *

标记牌 Marker card



尺寸 Size	技术参数 Technical Parameter			技术参数 Technical Parameter			技术参数 Technical Parameter			技术参数 Technical Parameter		
	间距 Pitch	长度 Length	每张卡片上数量 (行x列) Number	间距 Pitch	长度 Length	每张卡片上数量 (行x列) Number	间距 Pitch	长度 Length	每张卡片上数量 (行x列) Number	间距 Pitch	长度 Length	每张卡片上数量 (行x列) Number
	5.0	5.0	10X10=100	4.0	10.1	10X10=100	5.0	10.2	10X10=100	3.5	10.2	10X8=80
其余参数 Other Parameters	绝缘材料/阻燃等级, 符合UL94 Insulating Material / Flame Retardant Grade, Conforming To UL94			V0			V0			V0		
颜色 Colour	白 White			白 White			白 White			白 White		
包装数量 Package quantity	5			5			5			5		

尺寸 Size	技术参数 Technical Parameter			技术参数 Technical Parameter			技术参数 Technical Parameter			技术参数 Technical Parameter		
	间距 Pitch	长度 Length	每张卡片上数量 (行x列) Number	间距 Pitch	长度 Length	每张卡片上数量 (行x列) Number	间距 Pitch	长度 Length	每张卡片上数量 (行x列) Number	间距 Pitch	长度 Length	每张卡片上数量 (行x列) Number
	7.5	3.6	6X10=60	3.5	6.5	10X10=100	4.2	6.5	10X10=100	5.2	6.5	12X10=120
其余参数 Other Parameters	绝缘材料/阻燃等级, 符合UL94 Insulating Material / Flame Retardant Grade, Conforming To UL94			V0			V0			V0		
颜色 Colour	白 White			白 White			白 White			白 White		
包装数量 Package quantity	5			5			5			5		

尺寸 Size	技术参数 Technical Parameter			技术参数 Technical Parameter			技术参数 Technical Parameter			技术参数 Technical Parameter		
	间距 Pitch	长度 Length	每张卡片上数量 (行x列) Number	间距 Pitch	长度 Length	每张卡片上数量 (行x列) Number	间距 Pitch	长度 Length	每张卡片上数量 (行x列) Number	间距 Pitch	长度 Length	每张卡片上数量 (行x列) Number
	6.2	6.5	10X10=100	8.2	6.5	5X10=50	10.2	10.7	10X1=10	5.3	10.6	10X1=10
其余参数 Other Parameters	绝缘材料/阻燃等级, 符合UL94 Insulating Material / Flame Retardant Grade, Conforming To UL94			V0			V0			V0		
颜色 Colour	白 White			白 White			白 White			白 White		
包装数量 Package quantity	5			5			5			5		

尺寸 Size	技术参数 Technical Parameter			技术参数 Technical Parameter			技术参数 Technical Parameter			技术参数 Technical Parameter		
	间距 Pitch	长度 Length	每张卡片上数量 (行x列) Number	间距 Pitch	长度 Length	每张卡片上数量 (行x列) Number	间距 Pitch	长度 Length	每张卡片上数量 (行x列) Number	间距 Pitch	长度 Length	每张卡片上数量 (行x列) Number
	6.3	10.6	10X1=10	8.0	10.6	10X1=10	10.0	10.6	10X1=10	5.2	6.5	12X8=96
其余参数 Other Parameters	绝缘材料/阻燃等级, 符合UL94 Insulating Material / Flame Retardant Grade, Conforming To UL94			V0			V0			V0		
颜色 Colour	白 White			白 White			白 White			白 White		
包装数量 Package quantity	5			5			5			5		