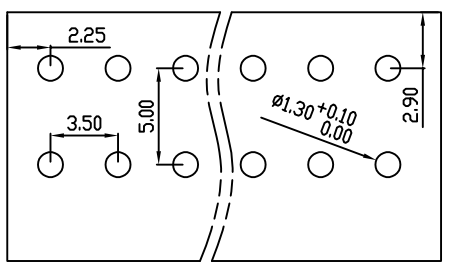
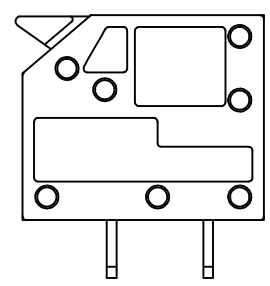
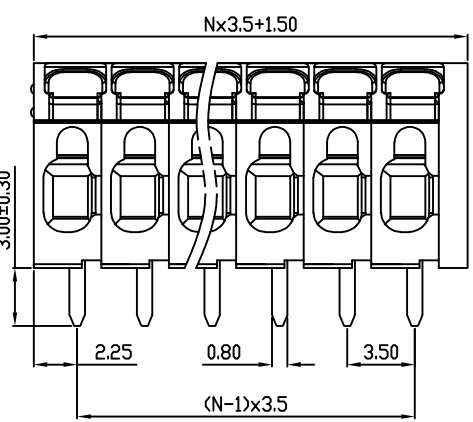
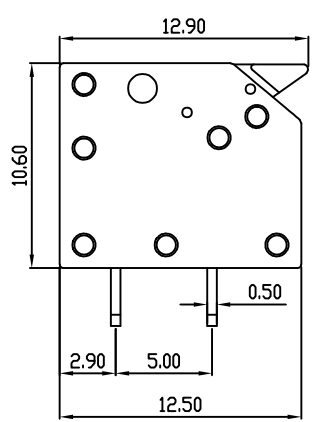
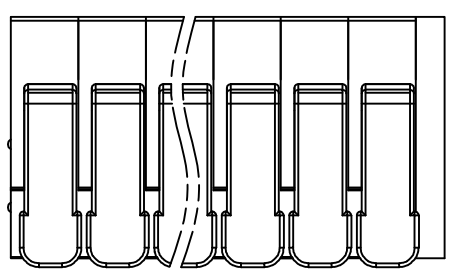


linear dimension(Tolerances Standard GB/T 14486-2008)							—			
variable range	to 6	over 6 to 10	over 10 to 30	over 30 to 60	over 60 to 100	over 100 to 160	to 10	over 10 to 100	over 100 to	
tolerance	±0.20	±0.30	±0.50	±0.70	±1.00	±1.30	±1.60	0.10	0.30	0.60



PCB Layout



UL/CUL 技术参数						
UL/CUL Technical Data						
等级	Use Group	B	C	D		
额定电压	Rated Voltage [V]	300	-	300		
额定电流	Rated Current [A]	10	-	10		
接线范围	Wire Range	24-16				
单/多芯线	Solid/Stranded [AWG]					
耐电压	Withstanding Voltage	1600V/1Min				
IEC 技术参数						
IEC Technical Data						
过电压类别	Overtoltage Category	III	III	II		
污染等级	Contamination Class	3	2	2		
额定电压	Rated Voltage [V]	160	250	320		
额定电流	Rated Current [A]	10	10	10		
额定冲击电压	Impulse withstand voltagea [KV]	2.5	2.5	2.5		
导线截面积	Conductor cross section	1.5				
硬质/柔性导线	Solid/flexible [mm <sup>2</sup> ]					
材料				Material		
绝缘材料	Insulation Material	PA66				
阻燃等级	Imflamability	UL94V-0				
导体材料	Contacto Material	铜合金 Copper alloy				
导体表面镀层	Contactive Coating	镀锡 Sn Plated				
一般参数				Other Data		
间距	Pitch [mm]	3.5				
极数	Poles [P]	01-24				
剥线长度	Stripping Length [mm]	9				
螺丝	Screw/扭矩 Torque(Max) [N.m]	-				
工作温度	Operating temperatur [°C]	-40~+105				
引针尺寸	Pin Dimensions [mm]	0.50x0.80				
PCB板孔径	PCB Hole Diameter [mm]	1.30				

DB803R — 3.5 — XXP — C

(Series No.) (Pitch) (Poles)

(Color):GN:(Green), BK:(Black), BU:(Blue), RD:(Red), GY:(Gray)  
OG:(Orange), WT:(White), YL:(Yellow), CR:(Clear)

APPD:	JTing Chen	2023.12.19
CHKD:	Duck Mao	2023.12.19
DRFT:	Steven Lu	2023.12.19

<b>DORABO</b>				宁波地博电气有限公司 Ningbo Dorabo Electric CO., Ltd			
NAME: DB803R-3.5-XXP-C							
		SIZE: A4				REV	T0-1
TYPE: CUSTOMER_DRAWING				SCALE: 1:1		SHEET	1/1