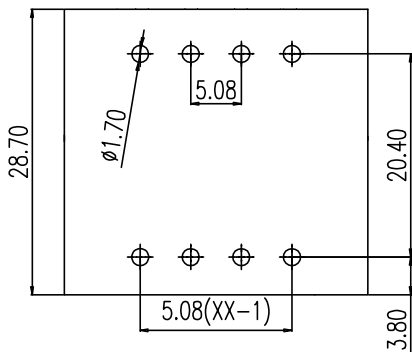
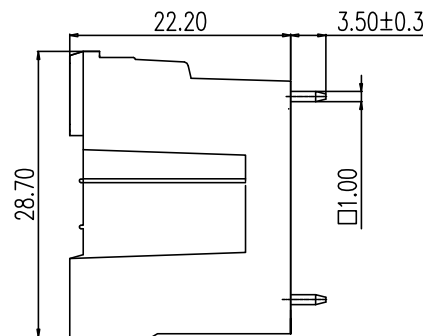
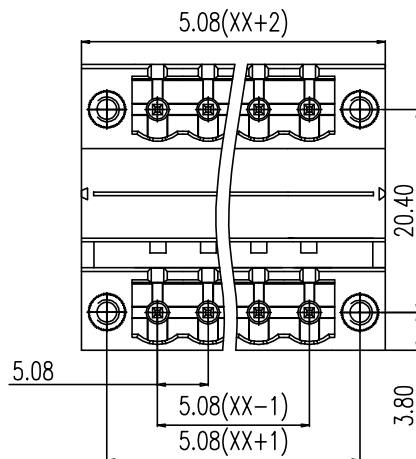
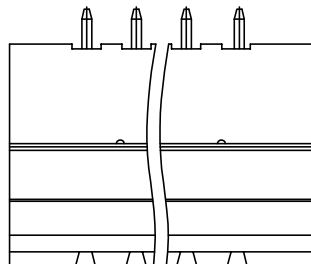


linear dimension(Tolerances Standard GB/T 14486-2008)								— ▯ ⊥		
variable range	to	over	over	over	over	over	over	to	to	to
	6	6 to 10	10 to 30	30 to 60	60 to 100	100 to 160	160 to			
tolerance	±0.20	±0.30	±0.50	±0.70	±1.00	±1.30	±1.60	0.10	0.30	0.60



PCB Layout



DB2EVHM — 5.08 — 2*XXP — C

(Series No.) (Pitch) (Poles)

(Color):GN:(Green), BK:(Black), BU:(Blue), RD:(Red), GY:(Gray)
OG:(Orange), WT:(White), YL:(Yellow), CR:(Clear)

APPD: JTING Chen 2024.1.06
CHKD: Duck Mao 2024.1.06
DRFT: Steven Lu 2024.1.06

DORABO

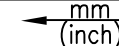
宁波地博电气有限公司
Ningbo Dorabo Electric CO., Ltd

NAME:

DB2EVHM-5.08-XXP-C



SIZE: A4



SCALE: 1:1

REV T0-1

TYPE: CUSTOMER_DRAWING

SHEET

1/1

UL/CUL 技术参数 UL/CUL Technical Data							
等级	Use Group	B	C	D			
额定电压	Rated Voltage [V]	300	-	300			
额定电流	Rated Current [A]	15	-	10			
接线范围 单/多芯线	Wire Range Solid/Stranded [AWG]	-					
耐电压	Withstanding Voltage	1600V/1Min					
IEC 技术参数 IEC Technical Data							
过电压类别	Overvoltage Category	III	III	II			
污染等级	Contamination Class	3	2	2			
额定电压	Rated Voltage [V]	250	320	630			
额定电流	Rated Current [A]	10	10	10			
额定冲击电压 Impulse withstand voltagea	[KV]	4.0	4.0	4.0			
导线截面积 硬质/柔性导线	Conductor cross section Solid/ flexible [mm²]	-					
材料 Material							
绝缘材料	Insulation Material	PA66					
阻燃等级	Imflammability	UL94V-0					
导体材料	Contact Material	铜合金 Copper alloy					
导体表面镀层	Contactive Coating	镀锡 Sn Plated					
一般参数 Other Data							
间距	Pitch [mm]	5.08					
极数	Poles [P]	2*02-2*24					
剥线长度	Stripping Length [mm]	-					
螺丝	Screw/ 扭矩 Torque(Max) [N.m]	-					
工作温度	Operating temperatur [°C]	-40~+105					
引针尺寸	Pin Dimensions [mm]	1.0x1.0					
PCB板孔径	PCB Hole Diameter [mm]	1.70					