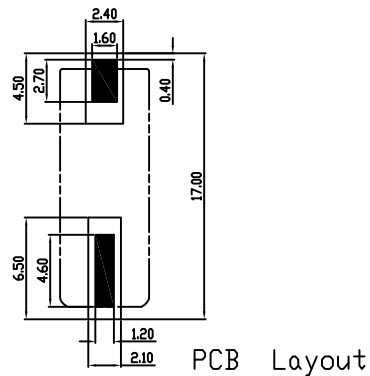
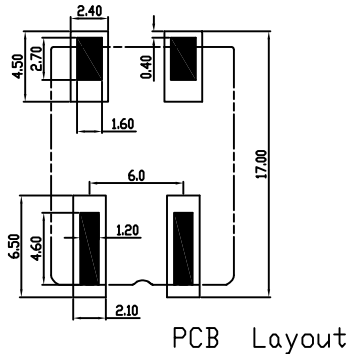
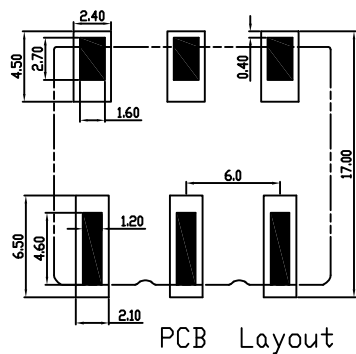
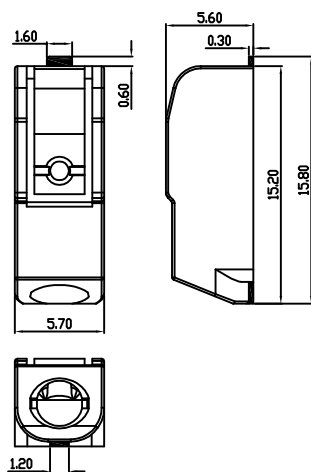
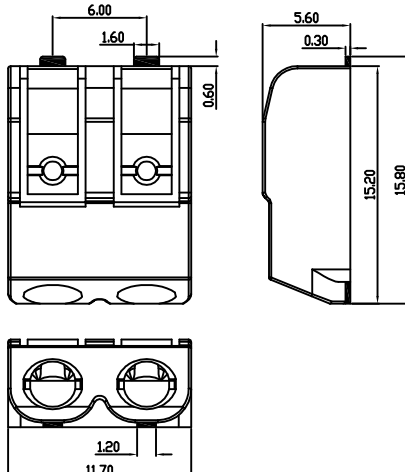
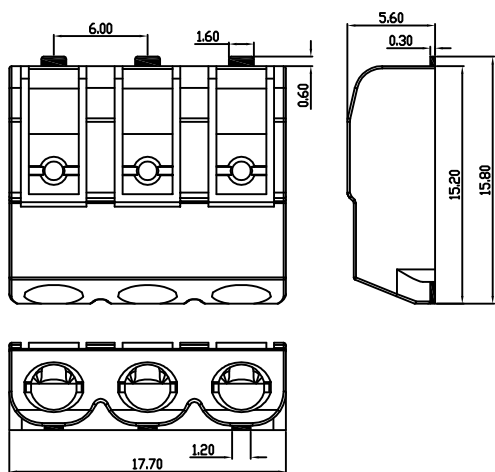


linear dimension(Tolerances Standard GB/T 14486-2008)								—		
variable range	to	over	over	over	over	over	over	to	to	to
	6	6 to 10	10 to 30	30 to 60	60 to 100	100 to 160	160 to			
tolerance	±0.20	±0.30	±0.50	±0.70	±1.00	±1.30	±1.60	0.10	0.30	0.60

UL/CUL 技术参数				
UL/CUL Technical Data				
等级 Use Group	B	C	D	
额定电压 Rated Voltage [V]	300	-	300	
额定电流 Rated Current [A]	10	-	10	
接线范围 Wire Range	20-16			
单/多芯线 Solid/Stranded [AWG]				
耐电压 Withstanding Voltage	1600V/1Min			
IEC 技术参数				
IEC Technical Data				
过电压类别 Overvoltage Category	III	III	II	
污染等级 Contamination Class	3	2	2	
额定电压 Rated Voltage [V]	200	200	320	
额定电流 Rated Current [A]	17.5	17.5	17.5	
额定冲击电压 Impulse withstand voltagea [KV]	4.0	4.0	4.0	
导线截面积 Conductor cross section	1.5			
硬质/柔性导线 Solid/flexible [mm²]				
材料 Material				
绝缘材料 Insulation Material	PA66			
阻燃等级 Imflammability	UL94V-0			
导体材料 Contactor Material	铜合金 Copper alloy			
导体表面镀层 Contactive Coating	镀镍 Ni Plated			
一般参数 Other Data				
间距 Pitch [mm]	3.5			
极数 Poles [P]	01-03			
剥线长度 Stripping Length [mm]	10			
螺丝 Screw/扭矩 Torque(Max) [N.m]	-			
工作温度 Operating temperatur [°C]	-40~+105			
引针尺寸 Pin Dimensions [mm]	-			
PCB板孔径 PCB Hole Diameter [mm]	-			



DB2072 — 6.0 — XXP — C

(Series No.) (Pitch) (Poles)

(Color):GN:(Green), BK:(Black), BU:(Blue), RD:(Red), GY:(Gray)
OG:(Orange), WT:(White), YL:(Yellow), CR:(Clear)

DORABO

宁波地博电气有限公司
Ningbo Dorabo Electric CO., Ltd

NAME:	DB2072-6.0-XXP-C			
	SIZE: A4		REV	T0-1
TYPE: CUSTOMER_DRAWING	SCALE: 1:1	SHEET	1/1	

APPD: J Ting Chen	2024.01.10
CHKD: Duck Mao	2024.01.10
DRFT: Steven Lu	2024.01.10