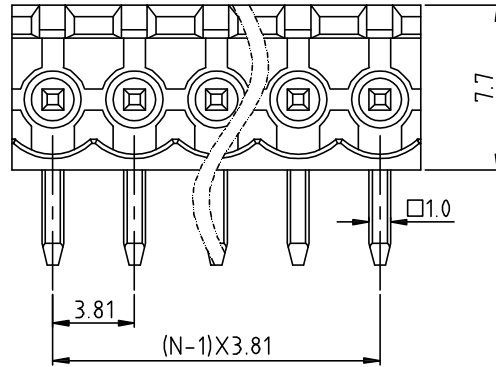
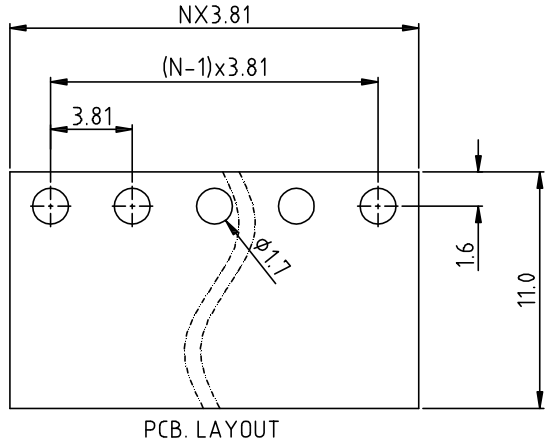
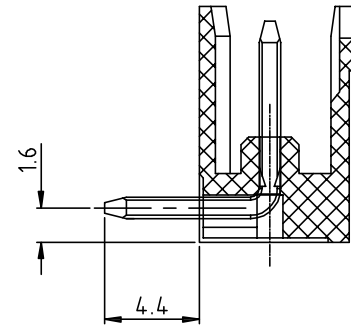
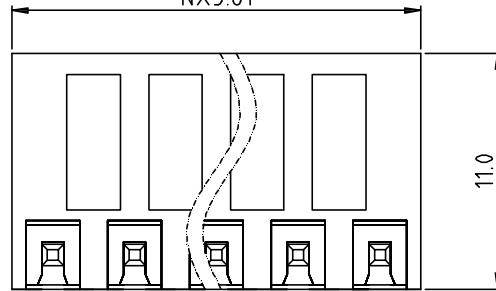


linear dimension(Tolerances Standard GB/T 14486-2008)								— ▧ ⊥		
variable range	to 6	over 6 to 10	over 10 to 30	over 30 to 60	over 60 to 100	over 100 to 160	over 160 to	to 10	over 10 to 100	over 100 to
tolerance	±0.20	±0.30	±0.50	±0.70	±1.00	±1.30	±1.60	0.10	0.30	0.60



N=Number of contacts
NX3.81



UL/CUL 技术参数 UL/CUL Technical Data				
等级 Use Group	B	C	D	
额定电压 Rated Voltage [V]	300	-	300	
额定电流 Rated Current [A]	12	-	10	
接线范围 Wire Range	-			
单/多芯线 Solid/Stranded [AWG]				
耐电压 Withstanding Voltage	2500V/1Min			
IEC 技术参数 IEC Technical Data				
过电压类别 Overvoltage Category	III	III	II	
污染等级 Contamination Class	3	2	2	
额定电压 Rated Voltage [V]	160	160	250	
额定电流 Rated Current [A]	10	10	12	
额定冲击电压 Impulse withstand voltagea [KV]	2.5	2.5	2.5	
导线截面积 Conductor cross section	-			
硬质/柔性导线 Solid/flexible [mm²]				
材料 Material				
绝缘材料 Insulation Material	PA66			
阻燃等级 Imflammability	UL94V-0			
导体材料 Contactor Material	铜合金 Copper alloy			
导体表面镀层 Contactive Coating	镀锡 Sn Plated			
一般参数 Other Data				
间距 Pitch [mm]	3.81			
极数 Poles [P]	02-24			
剥线长度 Stripping Length [mm]	-			
螺丝 Screw/扭矩 Torque(Max) [N.m]	-			
工作温度 Operating temperatur [°C]	-40~+105			
引针尺寸 Pin Dimensions [mm]	-			
PCB板孔径 PCB Hole Diameter [mm]	1.70			

DB1ER — 3.81 — XXP — C
(Series No.) (Pitch) (Poles)

(Color):GN:(Green), BK:(Black), BU:(Blue), RD:(Red), GY:(Gray)
OG:(Orange), WT:(White), YL:(Yellow), CR:(Clear)

APPD: JTING Chen 2022.11.23
CHKD: Duck Mao 2022.11.23
DRFT: Steven Lu 2022.11.23

DORABO

宁波地博电气有限公司
Ningbo Dorabo Electric CO., Ltd

NAME:

DB1ER-3.81-XXP-C



SIZE: A4

mm
(inch)

REV T0-1

TYPE: CUSTOMER_DRAWING

SCALE: 1:1

SHEET 1/1