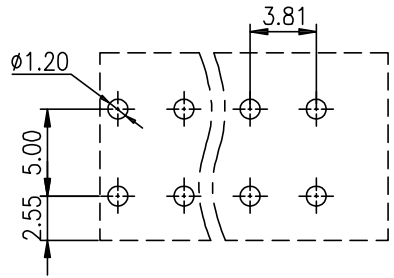
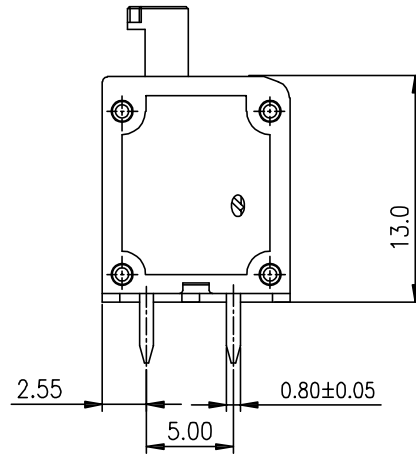
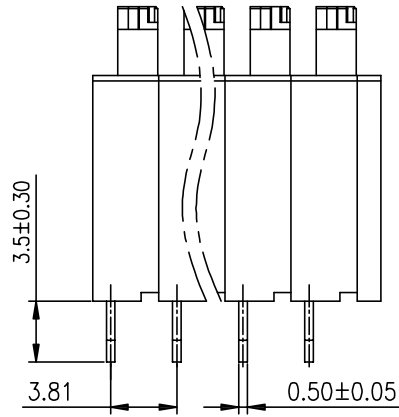
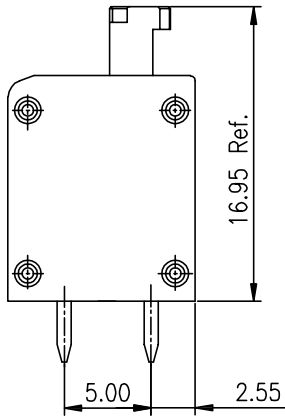
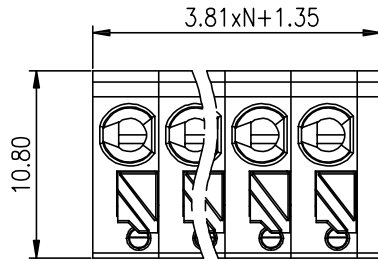


linear dimension(Tolerances Standard GB/T 14486-2008)								—	$\nabla$	$\perp$
variable range	to 6	over 6 to 10	over 10 to 30	over 30 to 60	over 60 to 100	over 100 to 160	over 160 to	to 10	over 10 to 100	over 100 to
tolerance	±0.20	±0.30	±0.50	±0.70	±1.00	±1.30	±1.60	0.10	0.30	0.60



PCB Layout



DB270 — 3.81 — XXP — C  
 (Series No.) (Pitch) (Poles)

(Color):GN:(Green), BK:(Black), BU:(Blue), RD:(Red), GY:(Gray)  
 OG:(Orange), WT:(White), YL:(Yellow), CR:(Clear)

APPD:	JTing Chen	2022.11.24
CHKD:	Duck Mao	2022.11.24
DRFT:	Steven Lu	2022.11.24

<b>DORABO</b>		宁波地博电气有限公司		
		Ningbo Dorabo Electric CO., Ltd		
NAME:		DB270-3.81-XXP-C		
$\oplus$	$\triangleleft$	SIZE: A4	mm (inch)	REV
TYPE: CUSTOMER_DRAWING		SCALE: 1:1	SHEET	T0-1 1/1

UL/CUL 技术参数	UL/CUL Technical Data		
等级 Use Group	B	C	D
额定电压 Rated Voltage [V]	300	300	300
额定电流 Rated Current [A]	8	8	8
接线范围 Wire Range	20-16		
单/多芯线 Solid/Stranded [AWG]			
耐电压 Withstanding Voltage	2000V/1Min		
IEC 技术参数	IEC Technical Data		
过电压类别 Overvoltage Category	III	III	II
污染等级 Contamination Class	3	2	2
额定电压 Rated Voltage [V]	-	200	-
额定电流 Rated Current [A]	-	10	-
额定冲击电压 Impulse withstand voltagea [KV]	-	6	-
导线截面积 Conductor cross section	0.2-1.5		
硬质/柔性导线 Solid/flexible [mm <sup>2</sup> ]			
材料 Material			
绝缘材料 Insulation Material	PA66		
阻燃等级 Inflammability	UL94V-0		
导体材料 Contactor Material	铜合金 Copper alloy		
导体表面镀层 Contactive Coating	镀锡 Sn Plated		
一般参数 Other Data			
间距 Pitch [mm]	3.81		
极数 Poles [P]	02-24		
剥线长度 Stripping Length [mm]	8-9		
螺丝 Screw/扭矩 Torque(Max) [N.m]	-		
工作温度 Operating temperatur [°C]	-40~+105		
引针尺寸 Pin Dimensions [mm]	-		
PCB板孔径 PCB Hole Diameter [mm]	1.2		