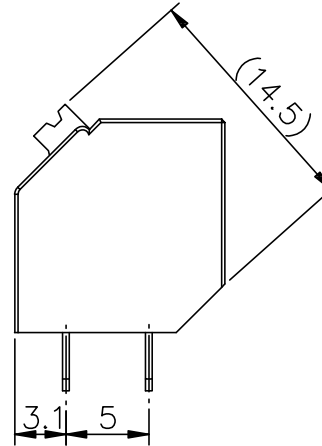
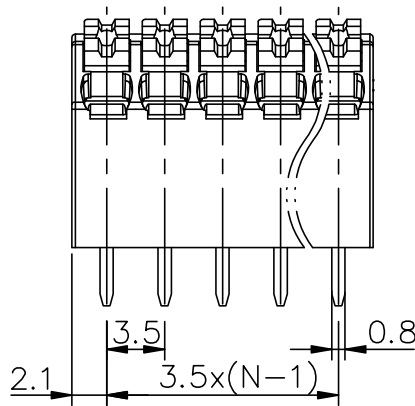
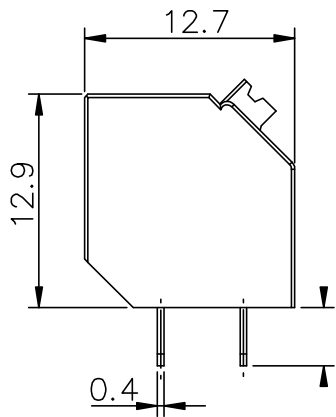
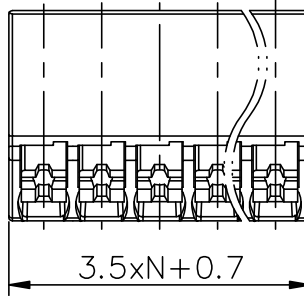
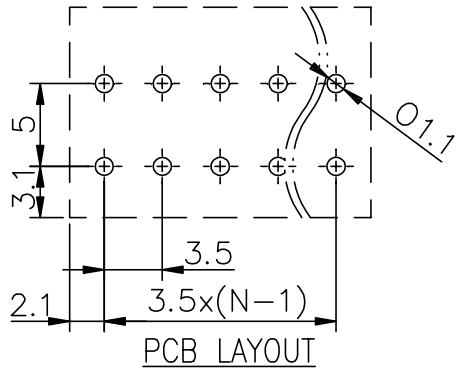


linear dimension(Tolerances Standard GB/T 14486-2008)								—	∇	\perp
variable range	to 6	over 6 to 10	over 10 to 30	over 30 to 60	over 60 to 100	over 100 to 160	over 160 to	to 10	over 10 to 100	over 100 to
tolerance	±0.20	±0.30	±0.50	±0.70	±1.00	±1.30	±1.60	0.10	0.30	0.60



UL/CUL 技术参数	UL/CUL Technical Data			cRU us		
等级	Use Group	B	C	D		
额定电压	Rated Voltage [V]	300	-	300		
额定电流	Rated Current [A]	12	-	10		
接线范围	Wire Range	28-14				
单/多芯线	Solid/Stranded [AWG]					
耐电压	Withstanding Voltage	1600V/1Min				
IEC 技术参数						
IEC Technical Data						
过电压类别	Overvoltage Category	III	III	II		
污染等级	Contamination Class	3	2	2		
额定电压	Rated Voltage [V]	160	160	320		
额定电流	Rated Current [A]	17.5	17.5	17.5		
额定冲击电压	Impulse withstand voltagea [KV]	2.5	2.5	2.5		
导线截面积	Conductor cross section	0.2-1.5				
硬质/柔性导线	Solid/ flexible [mm ²]					
材料 Material						
绝缘材料	Insulation Material	PA66				
阻燃等级	Imflamability	UL94V-0				
导体材料	Contact Material	铜合金 Copper alloy				
导体表面镀层	Contactive Coating	镀锡 Tin Plated				
一般参数 Other Data						
间距	Pitch [mm]	3.5				
极数	Poles [P]	2-24				
剥线长度	Stripping Length [mm]	8-9				
螺丝	Screw/扭矩 Torque(Max) [N.m]	-				
工作温度	Operating temperatur [°C]	-40~+105				
引针尺寸	Pin Dimensions [mm]	-				
PCB板孔径	PCB Hole Diameter [mm]	1.1				

DB212S — 3.5 — XXP — C
 (Series No.) (Pitch) (Poles)
 (Color) : GN:(Green) , BK:(Black) , BU:(Blue) , RD:(Red) , GY:(Gray)
 OG:(Orange) , WT:(White) , YL:(Yellow) , CR:(Clear)

APPD: JTING Chen 2022.4.6
 CHKD: Duck Mao 2022.4.6
 DRFT: Steven Lu 2022.4.6

DORABO

宁波地博电气有限公司
 Ningbo Dorabo Electric CO., Ltd

NAME:

DB212S-3.5-XXP-C



SIZE: A4

mm (inch)

REV T0-1

TYPE: CUSTOMER_DRAWING

SCALE: 1:1

SHEET 1/1