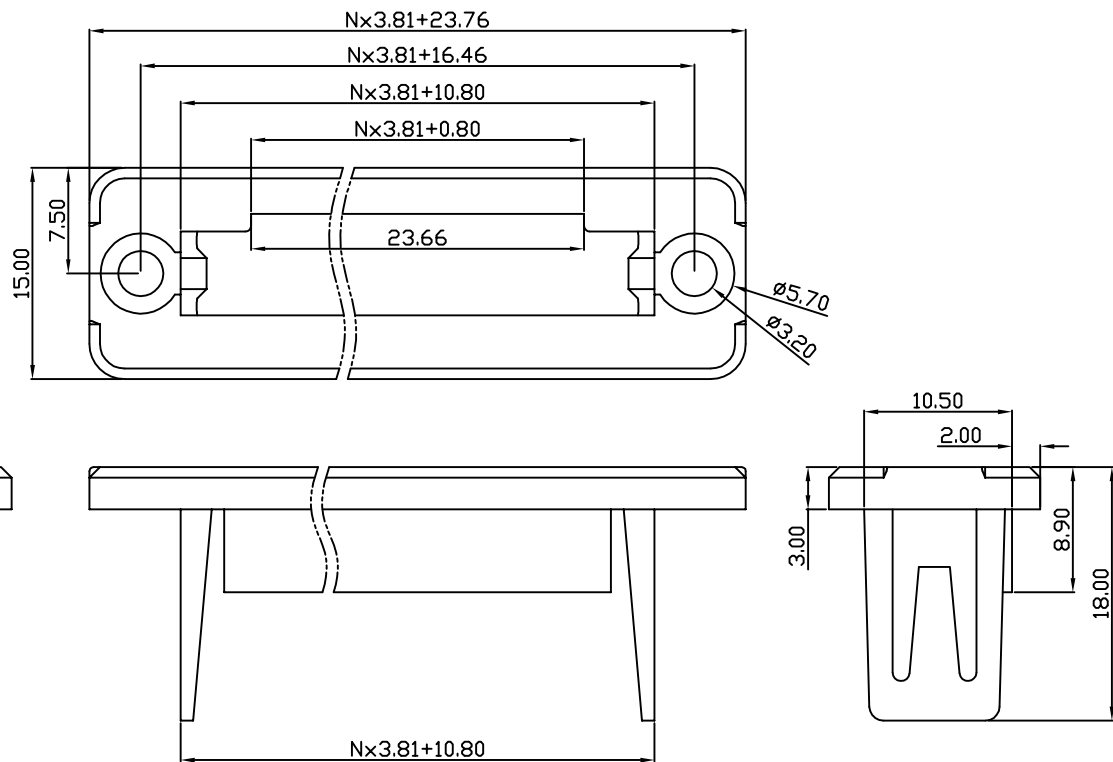


linear dimension(Tolerances Standard GB/T 14486-2008)								—	∇	\perp
variable range	to 6	over 6 to 10	over 10 to 30	over 30 to 60	over 60 to 100	over 100 to 160	over 160 to	to 10	over 10 to 100	over 100 to
tolerance	±0.20	±0.30	±0.50	±0.70	±1.00	±1.30	±1.60	0.10	0.30	0.60



UL/CUL 技术参数		UL/CUL Technical Data					
等级	Use Group	B	C	D			
额定电压	Rated Voltage [V]	-	-	-			
额定电流	Rated Current [A]	-	-	-			
接线范围	Wire Range						
单/多芯线	Solid/Stranded [AWG]						
耐电压	Withstanding Voltage						
IEC 技术参数							
IEC Technical Data							
过电压类别	Overtoltage Category	III	III	II			
污染等级	Contamination Class	3	2	2			
额定电压	Rated Voltage [V]	-	-	-			
额定电流	Rated Current [A]	-	-	-			
额定冲击电压	Impulse withstand voltagea [KV]	-	-	-			
导线截面积	Conductor cross section						
硬质/柔性导线	Solid/ flexible [mm ²]						
材料							
绝缘材料	Insulation Material				PA66		
阻燃等级	Imflamability				UL94V-0		
导体材料	Contacto Material				-		
导体表面镀层	Contactive Coating				-		
一般参数							
间距	Pitch [mm]				3.81		
极数	Poles [P]				02-24		
剥线长度	Stripping Length [mm]				-		
螺丝	Screw/扭矩 Torque(Max) [N.m]				-		
工作温度	Operating temperatur [°C]				-40~+105		
引针尺寸	Pin Dimensions [mm]				-		
PCB板孔径	PCB Hole Diameter [mm]				-		

DB2EWC — 3.81 — XXP — C
 (Series No.) (Pitch) (Poles)

(Color):GN:(Green), BK:(Black), BU:(Blue), RD:(Red), GY:(Gray)
 OG:(Orange), WT:(White), YL:(Yellow), CR:(Clear)

APPD: JTING Chen 2022.9.17
 CHKD: Duck Mao 2022.9.17
 DRFT: Steven Lu 2022.9.17

DORABO 宁波地博电气有限公司
 Ningbo Dorabo Electric CO., Ltd

NAME: DB2EWC-3.81-XXP-C

SIZE: A4 $\frac{\text{mm}}{\text{(inch)}}$ REV T0-1

TYPE: CUSTOMER_DRAWING SCALE: 1:1 SHEET 1/1