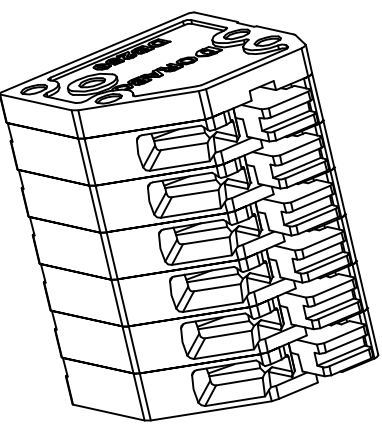
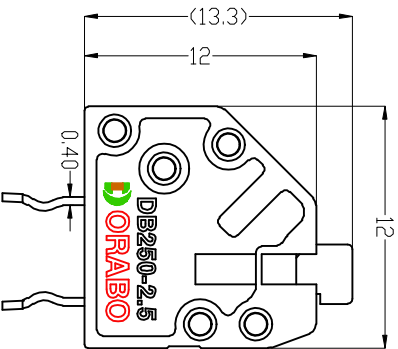
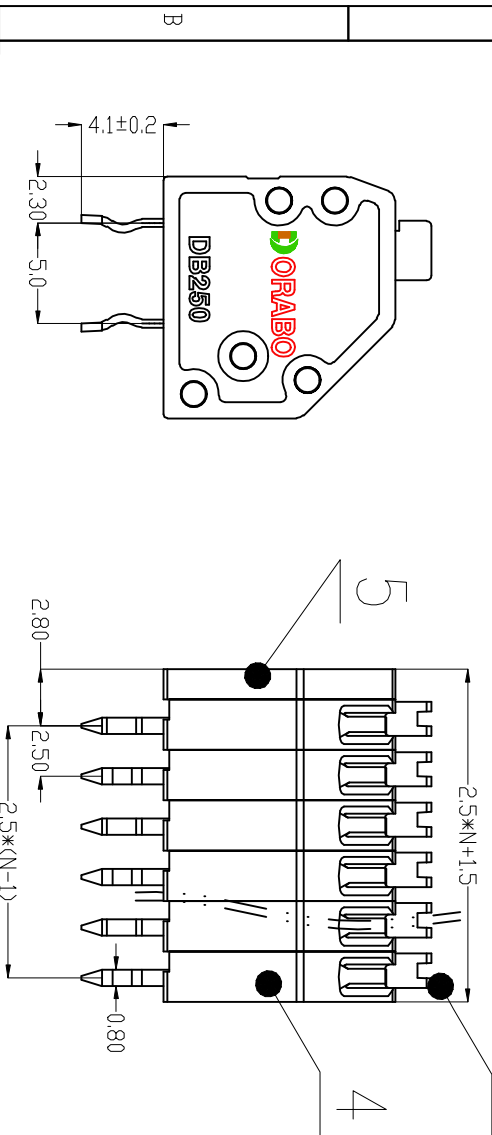


公差/General tolerances(mm)

| | | | | | | | | | | | | | | |
|------|------|------|------|------|------|------|------|------|------|------|------|------|------|----|
| 0 | >3 | >6 | >10 | >18 | >30 | >50 | >80 | >120 | >180 | >250 | >315 | >400 | >500 | ±2 |
| ±0.1 | ±0.1 | ±0.2 | ±0.2 | ±0.3 | ±0.3 | ±0.5 | ±0.8 | ±0.9 | ±1.0 | ±1.0 | ±1.1 | ±1.6 | ±2.2 | |
| 2 | 8 | 2 | 6 | 1 | 7 | 7 | 0 | 3 | 5 | 5 | 0 | 0 | 0 | 0 |

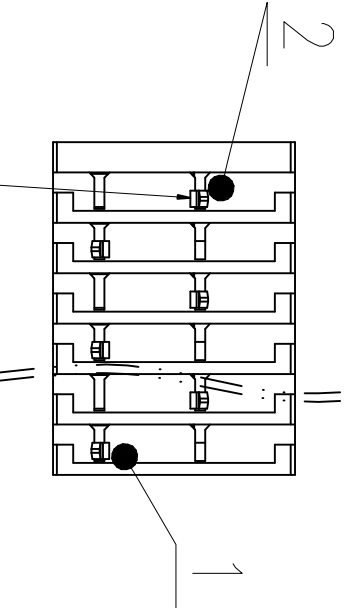
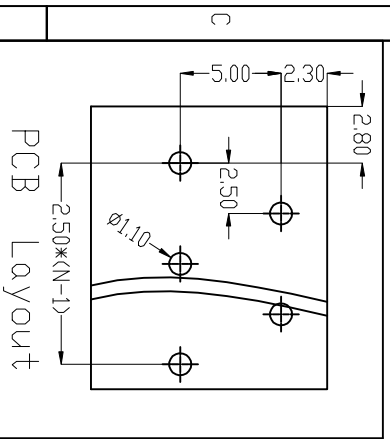
| REV | ECN | DESCRIPTION | DFT | DATE |
|-----|-----|-------------|-----|------|
| | | | | |



DB250B 2.50 XXP G
 (Series No.) (Pitch) (Poles)

(Color):GN:(Green), BK:(Black), BU:(Blue), RD:(Red), GV:(Gray)
 OG:(Orange), WT:(White), YL:(Yellow), CR:(Clear)

| ITEM | NAME OF PART | MATERIAL | NOTES |
|------|------------------|--------------|-----------|
| 5 | Cover | PA66 | UL94V-0 |
| 4 | Housing | PA66 | UL94V-0 |
| 3 | Button | PA66 | UL94V-0 |
| 2 | Small Pin header | Copper alloy | Sn Plated |
| 1 | Big Pin header | Copper alloy | Sn Plated |



Small Pin header 贴盘板为: DB250B规格。

| | | | |
|---|---------------|-------|-------|
| UL 标准/UL Standard: | B | C | D |
| 额定电压/电压/Rated Voltage(V)/Current(A) | 300/4 | / | 300/4 |
| EC 标准/EC Standard: | / | / | / |
| 过压类别/Overvoltage Category/污秽等级/ Pollution Degree | III/3 | III/2 | II/2 |
| 额定电压/电压/Rated Voltage(V)/Current(A) | 160/4 | 160/4 | 320/4 |
| 额定脉冲电压(KV)/Rate Impulse Voltage(KV) | 2.5 | 2.5 | 2.5 |
| 线径范围(硬线和软线)/Wire Range(rigid and flexible)(mm²/AWG) | 0.2~0.5/24~20 | | |
| 间距/Pitch(mm)/线数范围/Poles | 2.5/N=01~30P | | |
| 剥线长度/Stripping length(mm) | 8.5~9.5 | | |
| 使用温度范围/Operating temperature(°C) | -40~+105 | | |
| 符合RoHS环保要求/Conform to RoHS | Yes | | |

| | | | | |
|--------------------------|---|------------------------|------------------------------------|-----|
| MAT NO.: | / | NAME: | ORABO 宁波地博电气有限公司 | |
| STATUS: | / | NAME: | NINGBO DIBRABO ELECTRICAL CO., LTD | |
| APPD:Steven Lu 2026.5.29 | | DRAWING NO.: | DB250B-2.50-XXP-C | |
| CHKD:Jing Chen 2026.5.29 | | SCALE: 1:1 | REV | M1 |
| DFT: Tom MAD 2026.5.29 | | TYPE: CUSTOMER_DRAWING | SHEET | 1/1 |