

REVISION RECORD				
REV	ECN	DESCRIPTION	DRFT	DATE

(W/O COVER)

NOTES1:

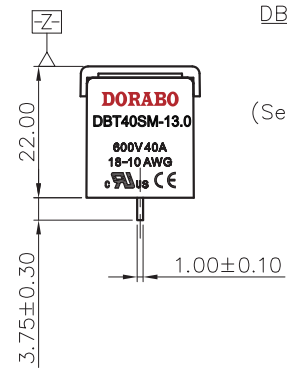
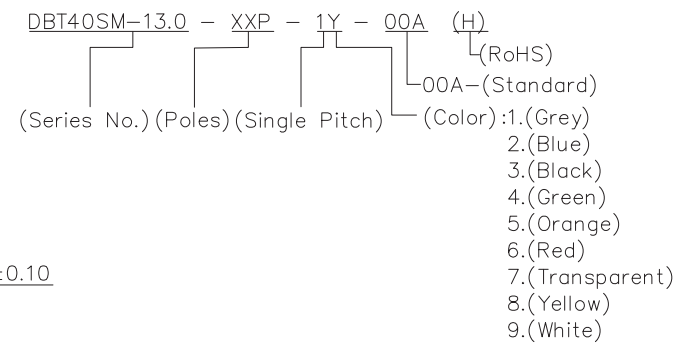
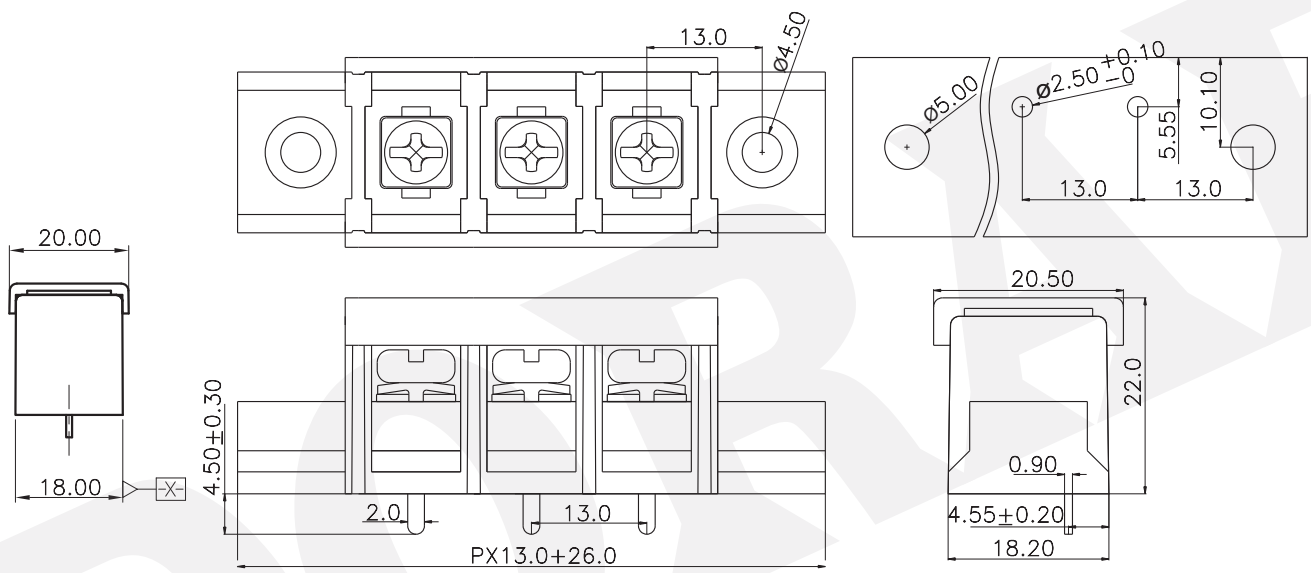
- UL Standard
- 1. Rated voltage/current : 600V / 40A
- 2. Torque value : M4 , 10.53Lb.in
- 3. Wire range : 18~10AWG

NOTES2:

- 1. Dimension shall be interpreted per ASME Y14.5-2009
- 2. Pitch : 13.00mm, Poles : N=02~20P
- 3. Stripping length : 8~9mm
- 4. Withstanding voltage : AC2200V/1Min
- 5. Operating temperature : -40°C~+105°C
- 6. Undimensioned tolerances:

Pitch range in mm		Nominal dimension range in mm						∩	∠
Over 6	Over 10	Over 30	Over 60	Over 100	Over 150		0.1/10		
TO 6	TO 10	TO 30	TO 60	TO 100	TO 150		<		
±0.15 ±0.20 ±0.30		±0.30 ±0.50 ±0.70		±1.00 ±1.30			±2'		

7. RoHS Compliance



DETACHED LISTS	PART NO.:	/			
	APPD:	/			
	CHKD:	/			
	DRFT:	/			
THIRD ANGLE PROJECTION					
DORABO 慈溪市地博电子有限公司 CIXI DORABO ELECTRONICS CO.,LTD		NAME: DBT40SM-13.0-XXP-1Y-00A(H)			
TITLE: CUSTOMER DRAWING		REV	D0		
DRAWING NO.:		/		SHEET	1/1
MM (INCH)		DO NOT SCALE DRAWING		SCALE	1:1