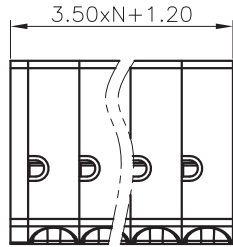


REVISION RECORD

REV	ECN	DESCRIPTION	DRFT	DATE
-----	-----	-------------	------	------



NOTES1:

UL Standard

- 1. Rated voltage/current : 300V / 4A
- 2. Wire range : 22~18AWG

IEC Standard

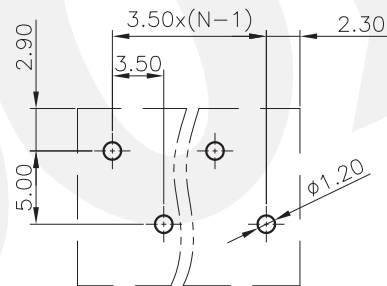
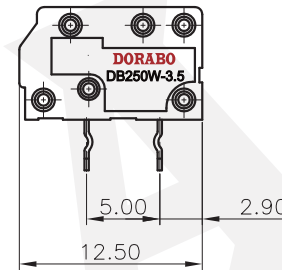
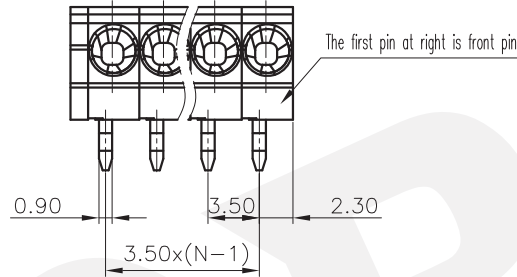
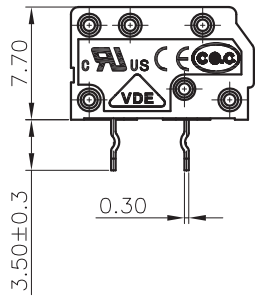
- 1. Rated voltage/current : 250V / 3A
- 2. Wire range : 0.2~0.75mm²

NOTES2:

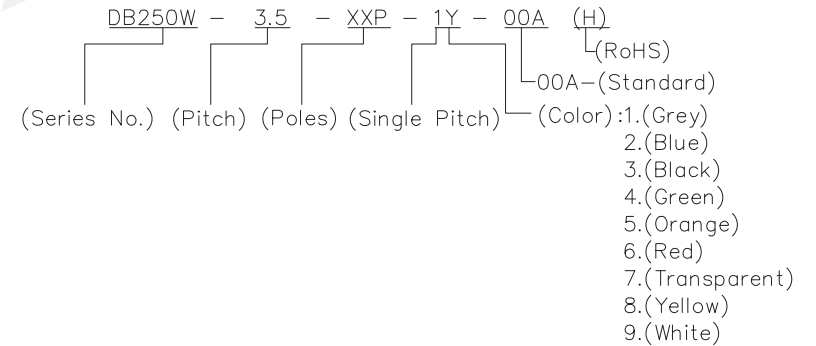
- 1. Dimension shall be interpreted per ASME Y14.5-2009
- 2. Pitch : 3.50mm, Poles : N=01~XXP
- 3. Stripping length : 8-9mm
- 4. Withstanding voltage : AC2000V/1Min.
- 5. Operating temperature : -40°C~+105°C
- 6. Undimensioned tolerances:

Pitch range in mm			Nominal dimension range in mm					-	∩	∇
TO	Over	TO	TO	Over	Over	Over	Over	0.1/10		
6	6	10	30	30	60	100	150	<		
±0.15	±0.20	±0.30	±0.30	±0.50	±0.70	±1.00	±1.30	±2*		

7. RoHS Compliance



PCB LAYOUT



DETACHED LISTS	PART NO.:	/			
	APPD:	/			
	CHKD:	/			
	DRFT:	/			
		<p>THIRD ANGLE PROJECTION</p>		<p>DORABO 慈溪市地博电子有限公司 CIXI DORABO ELECTRONICS CO.,LTD</p>	
		NAME: DB250W-3.5-XXP-1Y-00A(H)			
		TITLE: CUSTOMER DRAWING		REV	DO
		DRAWING NO.:		SHEET	1/1
		MM (INCH)		SCALE	1:1
		DO NOT SCALE DRAWING			