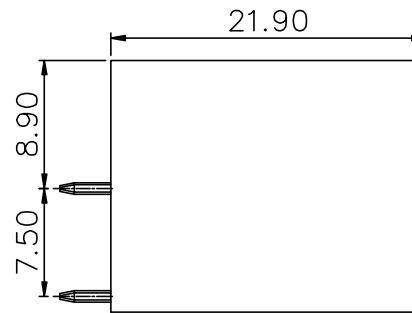
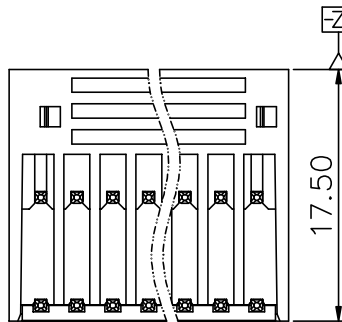
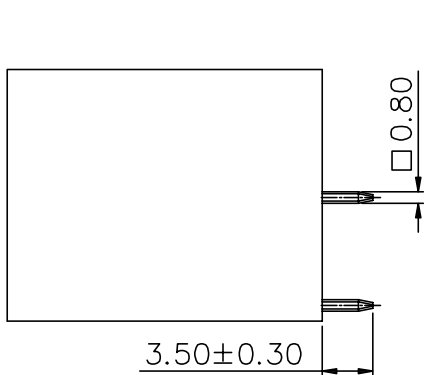
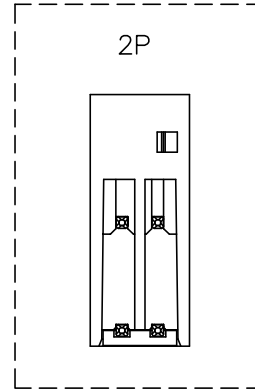
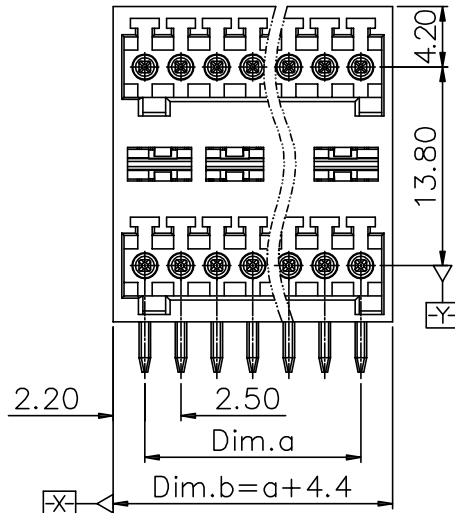
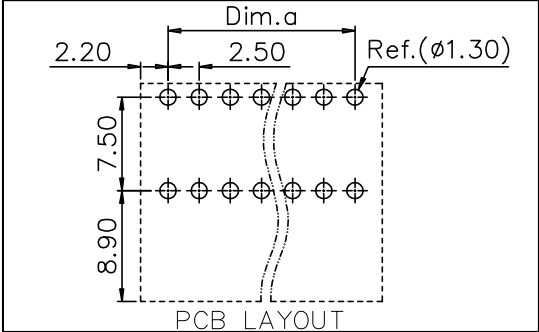


linear dimension(Tolerances Standard GB/T 14486-2008)								—	\square	\perp
variable range	to	over	over	over	over	over	over	to	over	over
	6	6 to 10	10 to 30	30 to 60	60 to 100	100 to 160	160 to			
tolerance	± 0.20	± 0.30	± 0.50	± 0.70	± 1.00	± 1.30	± 1.60	0.10	0.30	0.60



UL/CUL 技术参数	UL/CUL Technical Data			cRUus		
等级	Use Group	B	C	D		
额定电压	Rated Voltage [V]	125	-	-		
额定电流	Rated Current [A]	4	-	-		
接线范围	Wire Range	-				
单/多芯线	Solid/Stranded [AWG]	-				
耐电压	Withstanding Voltage	1300V/1Min				
IEC 技术参数						
IEC Technical Data						
过电压类别	Overvoltage Category	III	III	II		
污染等级	Contamination Class	3	2	2		
额定电压	Rated Voltage [V]	-	160	320		
额定电流	Rated Current [A]	-	2.5	2.5		
额定冲击电压	Impulse withstand voltagea [KV]	4	4	4		
导线截面积	Conductor cross section	-				
硬质/柔性导线	Solid/flexible [mm ²]	-				
材料						
绝缘材料	Insulation Material	PA66				
阻燃等级	Infammability	UL94V-0				
导体材料	Contact Material	铜合金 Copper alloy				
导体表面镀层	Contactive Coating	镀锡 Sn Plated				
一般参数						
间距	Pitch [mm]	2.5				
极数	Poles [P]	02-24				
剥线长度	Stripping Length [mm]	-				
螺丝	Screw/扭矩 Torque(Max) [N.m]	-				
工作温度	Operating temperatur [°C]	-40~+105				
引针尺寸	Pin Dimensions [mm]	-				
PCB板孔径	PCB Hole Diameter [mm]	1.30				

DB2ERH — 2.5 — XXP — C

(Series No.) (Pitch) (Poles)

(Color) : GN:(Green), BK:(Black), BU:(Blue), RD:(Red), GY:(Gray)
OG:(Orange), WT:(White), YL:(Yellow), CR:(Clear)

APPD: JTING Chen 2022.4.6
CHKD: Duck Mao 2022.4.6
DRFT: Steven Lu 2022.4.6

DORABO

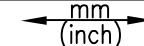
宁波地博电气有限公司
Ningbo Dorabo Electric CO., Ltd

NAME:

DB2ERH-2.5-XXP-C



SIZE: A4



REV T0-1

TYPE: CUSTOMER_DRAWING

SCALE: 1:1

SHEET 1/1