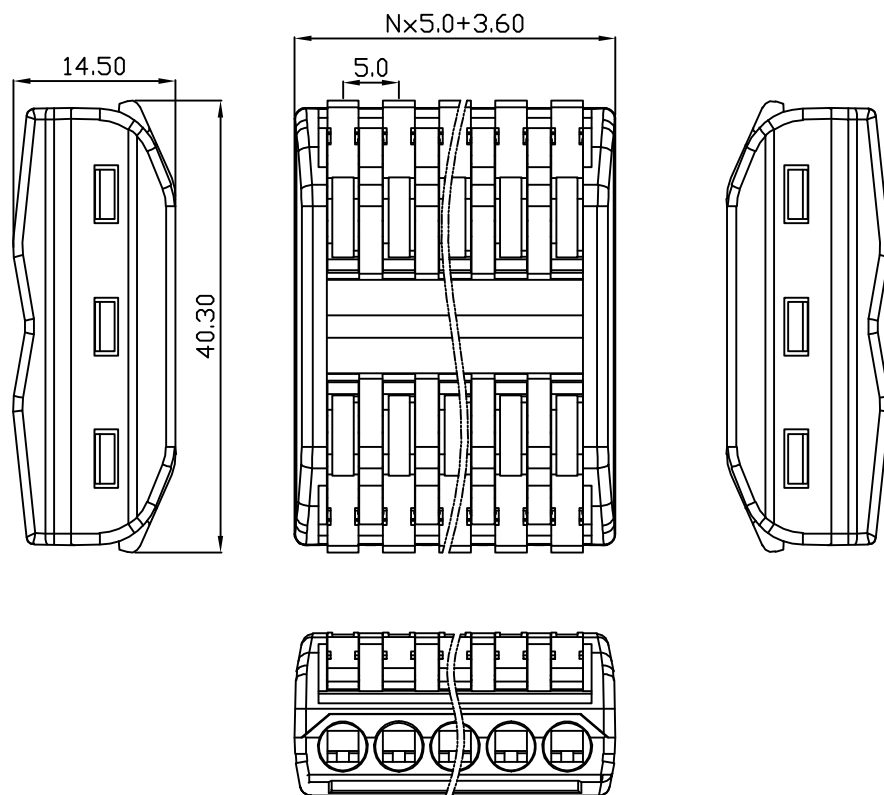


linear dimension(Tolerances Standard GB/T 14486-2008)								—	∇	\perp
variable range	to 6	over 6 to 10	over 10 to 30	over 30 to 60	over 60 to 100	over 100 to 160	over 160 to	to 10	over 10 to 100	over 100 to
tolerance	±0.20	±0.30	±0.50	±0.70	±1.00	±1.30	±1.60	0.10	0.30	0.60



DB21 — 5.0 — XXP — C

(Series No.) (Pitch) (Poles)

(Color):GN:(Green), BK:(Black), BU:(Blue), RD:(Red), GY:(Gray)
OG:(Orange), WT:(White), YL:(Yellow), CR:(Clear)

APPD: J Ting Chen 2023.07.27
CHKD: Duck Mao 2023.07.27
DRFT: Steven Lu 2023.07.27

IEC 技术参数

IEC Technical Data

过电压类别	Overvoltage Category	III	III	II
污染等级	Contamination Class	3	2	2
额定电压	Rated Voltage [V]	250	-	400
额定电流	Rated Current [A]	32	-	32
额定冲击电压	Impulse withstand voltagea [KV]	4	-	4
导线截面积	Conductor cross section	4.0		
硬质/柔性导线	Solid/ flexible [mm ²]			
材料	Material			
绝缘材料	Insulation Material	PA66		
阻燃等级	Imflammability	UL94V-0		
导体材料	Contactior Material	铜合金 Copper alloy		
导体表面镀层	Contactive Coating	镀锡 Sn Plated		
一般参数	Other Data			
间距	Pitch [mm]	5.0		
极数	Poles [P]	02、03、04、05		
剥线长度	Stripping Length [mm]	10		
工作温度	Operating temperatur [°C]	-40~+105		

DORABO

宁波地博电气有限公司
Ningbo Dorabo Electric CO., Ltd

NAME:

DB21-5.0-XXP-C



SIZE: A4

mm
(inch)

REV

T0-1

TYPE: CUSTOMER_DRAWING

SCALE: 1:1

SHEET

1/1