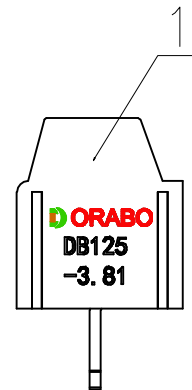
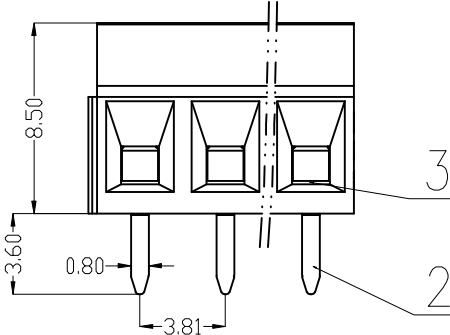
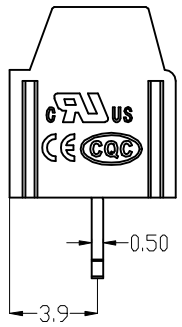
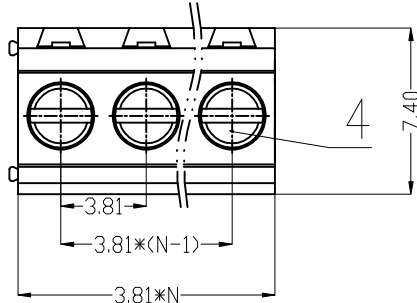
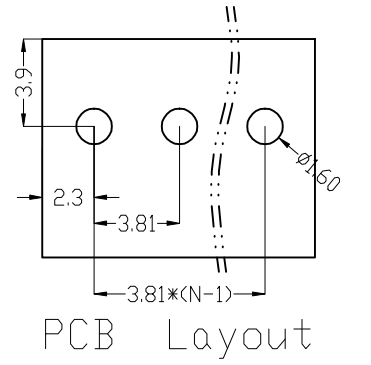


未注公差/General tolerances(mm)

0	>3	>6	>10	>18	>30	>50	>80	>120	>180	>250	>315	400	500	>500	0.1/10
3	6	10	18	30	50	80	120	180	250	315	400	500	500		
±0.1	±0.1	±0.2	±0.2	±0.3	±0.3	±0.5	±0.8	±0.9	±1.0	±1.1	±1.6	±2.2	±2.5	±2'	

REV	ECN	DESCRIPTION	DRFT	DATE



DB125 3.81 XXP C S/P  
 (Series No.) (Pitch) (Poles) Slotted/Phillips  
 (Color):GN:(Green), BK:(Black), BU:(Blue), RD:(Red), GY:(Gray)  
 OG:(Orange), WT:(White), YL:(Yellow), CR:(Clear)

4	Screw	Steel	M2/Zn Plated
3	Cage	Copper alloy	M2/Ni Plated
2	Pin header	Copper alloy	Sn Plated
1	Housing	PA66	UL94V-0
ITEM	NAME OF PART	MATERIAL	NOTES

UL 标准/UL Standard:	B	C	D
额定电压/电压/Rated Voltage(V)/Current(A)	300/10	/	/
EC 标准/IEC Standard:			
过压类别/Overvoltage Category/污染等级/Pollution Degree	III/3	III/2	II/2
额定电压/电压/Rated Voltage(V)/Current(A)	/	130/10	/
工频耐压/Withstanding voltage (V/Min)	/	AC1250	/
螺丝扭矩/Torque Tightening(N•m/Lb.in)	M2,0.2/1.77		
线径范围(硬线和软线)/Wire Range(rigid and flexible)(AWG/mm²)	26~16/0.5~1.0		
间距/Pitch(mm)/线数范围/Poles	3.81/N=02~24P		
剥线长度/Stripping length(mm)	5~6		
使用温度范围/Operating temperature(°C)	-40~+105		
符合RoHS环保要求/Conform to RoHS	Yes		

MAT NO.:	/	<b>宁波地博电气有限公司</b> NINGBO DORABO ELECTRICAL CO., LTD		
STATUS:	/			
APPD: Steven Lu 2026.5.6	NAME:			
CHKD: Jting Chen 2026.5.6	DB125-3.81-XXP-C-S			
DRFT: Tom MAD 2026.5.6	DRAWING NO.:	/	REV	M1
SIZE A4	mm (inch)	TYPE: CUSTOMER_DRAWING	SCALE: 1:1	SHEET 1/1